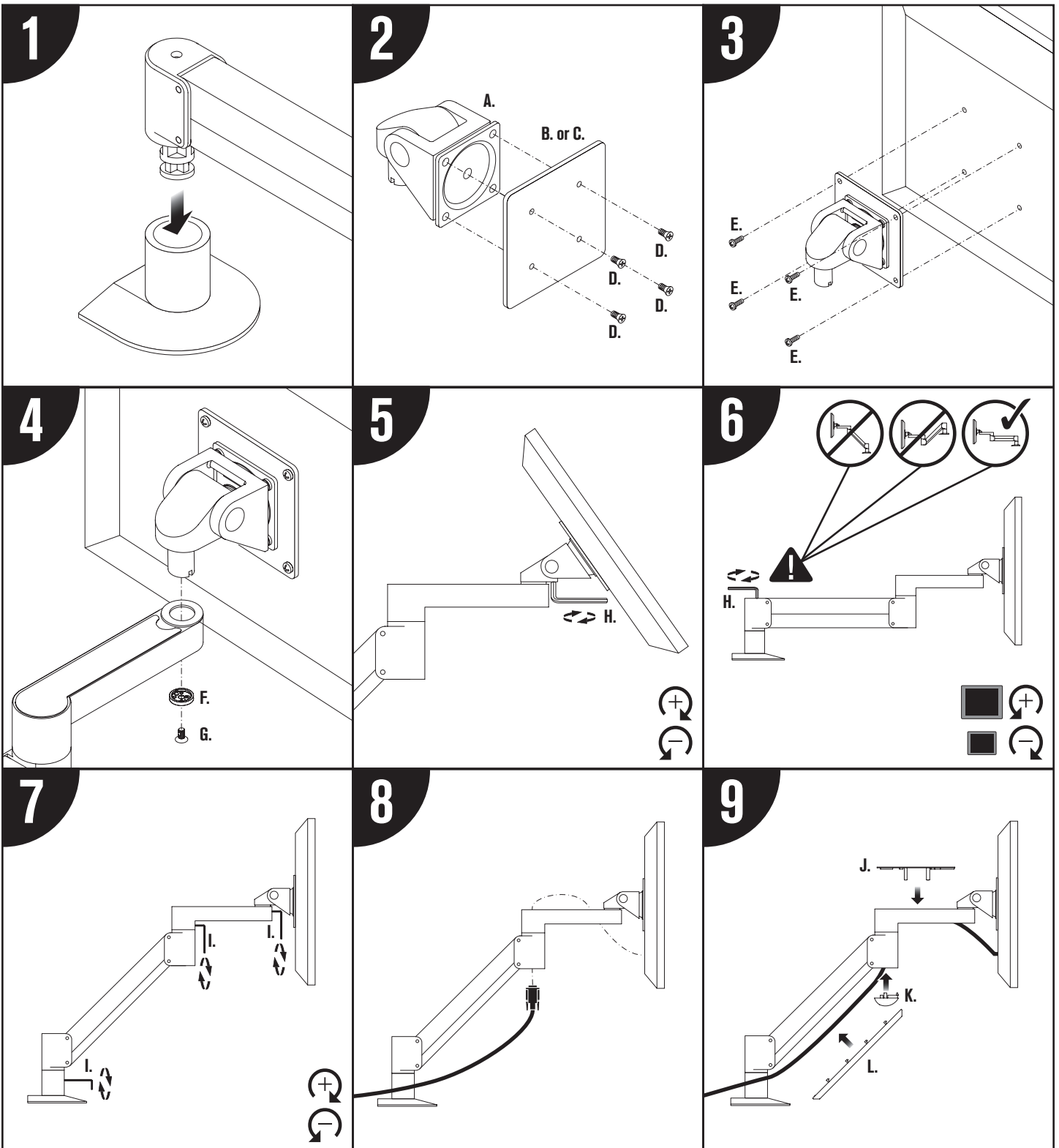


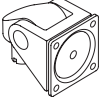
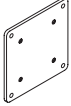
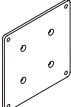
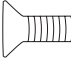
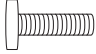

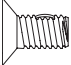



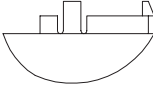

Model 7500 Installation Instructions

www.smartdesks.com | 800 770 7042



Model 7500 Parts List

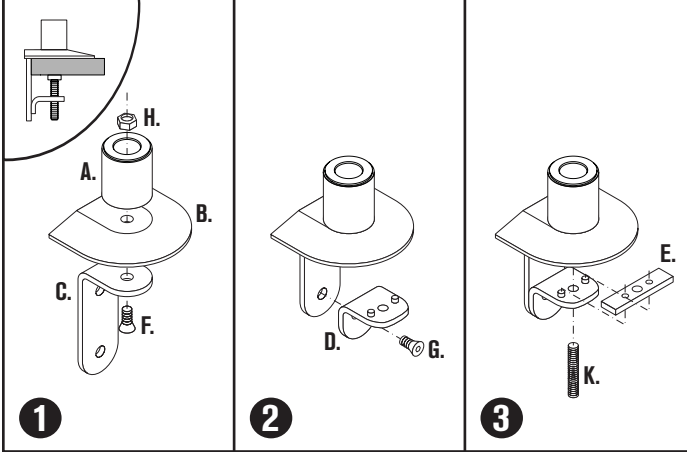
www.smartdesks.com | 800 770 7042

ITEM	DESCRIPTION / PART NO.	QUANTITY
A. 	Sloped Tilter 405397	1
B. 	75mm VESA Adapter Plate 7VESA75	1
C. 	100mm VESA Adapter Plate 7VESA100	1
D. 	10-32 x 3/8" (9.525mm) Phillips Flat Head Screw 702281	1 (4-pack)
E. 	M4-12 Phillips Pan Head Screw 702096	4
F. 	Dog Washer 105189	1
G. 	10-32 x 3/8" (9.525mm) FPhMS with Lock Patch 705198	1
H. 	7/32" (5.563mm) Allen Wrench 701127	1
I. 	3/32" (2.388mm) Allen Wrench 700146	1
J. 	Forearm Cap 702825	1
K. 	Endcap Bumper 702829	1
L. 	Cable Cap 702830	1

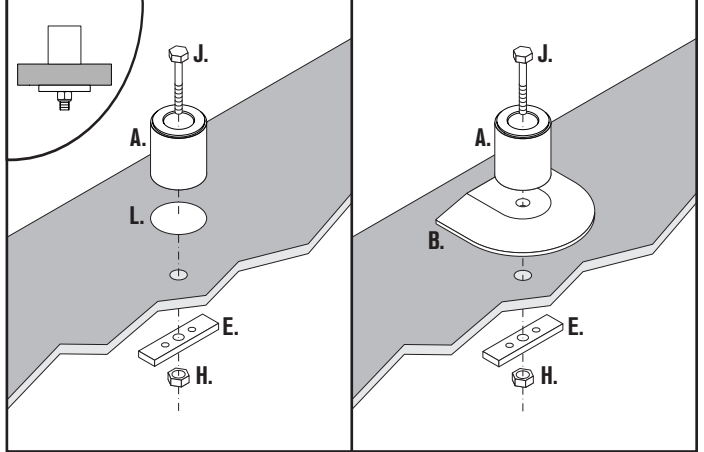
FLEXmount™ Installation Instructions

www.smartdesks.com | 800 770 7042

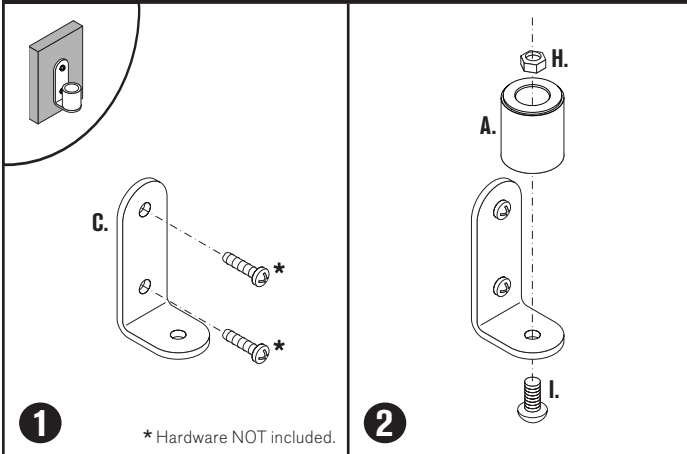
Desk Clamp



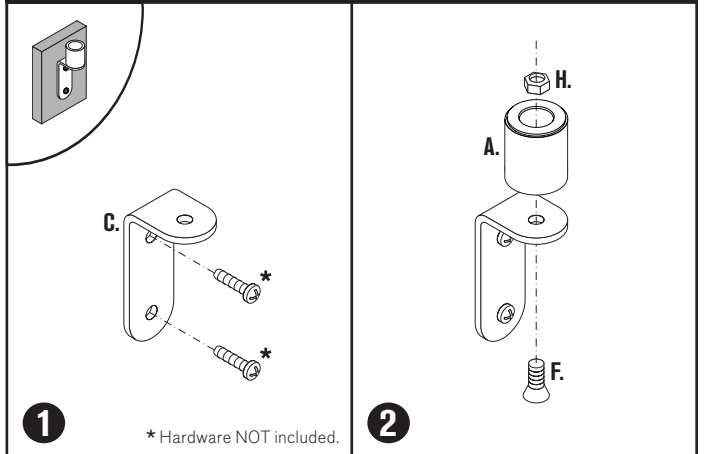
Thru-Desk



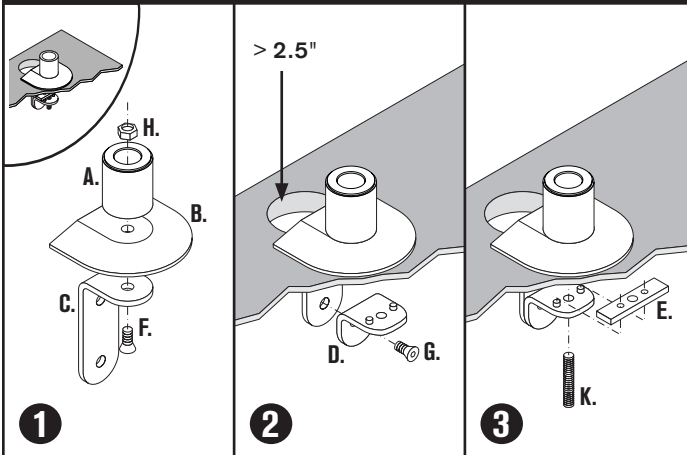
Wall Mount



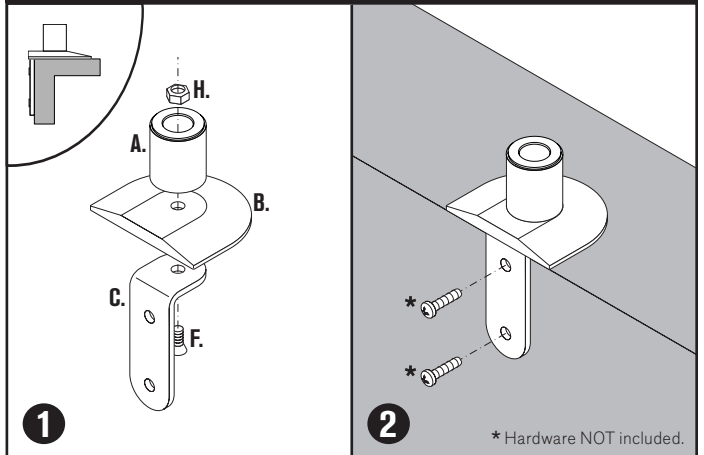
Reverse Wall Mount



Grommet Hole


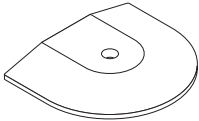
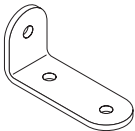
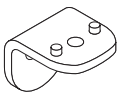
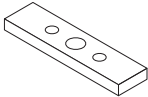
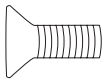

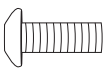
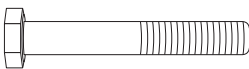
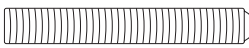



Side Bolt



FLEXmount™ Parts List

www.smartdesks.com | 800 770 7042

ITEM	DESCRIPTION / PART NO.	QUANTITY
A.	 <p>Mount Column 401328 - Model 7000, Model 7045, Model 3500, Model 3545 8269 - Model 7500, iLift™, ArcView™ (9177-2 & 9177-3)</p>	1
B.	 <p>Base Plate 401417 - Model 7000, Model 7045, Model 3500, Model 3545 8321 - Model 7500, iLift™, ArcView™ (9177-2 & 9177-3)</p>	1
C.	 <p>Large “L” Bracket 701117 - Model 7000, Model 7045, Model 3500, Model 3545 702828 - Model 7500, iLift™, ArcView™ (9177-2 & 9177-3)</p>	1
D.	 <p>Small “L” Bracket 701116</p>	1
E.	 <p>3" (76.2mm) x 3/4" (19.05mm) x 1/4" (6.35mm) Rectangular Spacer 701544</p>	1
F.	 <p>3/8-16 x 1" (25.4mm) Flat Socket Cap Screw 701124 - Model 7000, Model 7045, Model 3500, Model 3545 701855 - 3/8-16 x 1-1/4" (31.75mm) - Model 7500, iLift™, ArcView™ (9177-2 & 9177-3)</p>	1
G.	 <p>3/8-16 x 7/8" (22.225mm) Flat Socket Cap Screw 701799</p>	1
H.	 <p>3/8-16 Nylon Stop Nut 701418</p>	1
I.	 <p>3/8-16 x 7/8" (22.225mm) Button Socket Cap Screw 701122</p>	1
J.	 <p>3/8-16 x 2-1/2" (63.5mm) Hex Head Bolt 700268</p>	1
K.	 <p>1/2-13 x 3" (76.2mm) Socket Set Screw 701126</p>	1
L.	 <p>Foam Pad (Included with Model 7000 only) 701120</p>	1