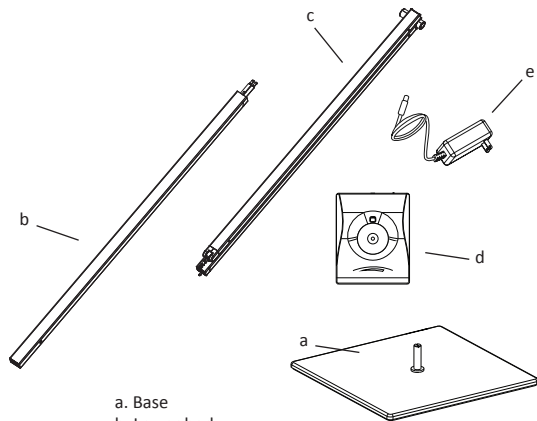


Assembly Instructions



- a. Base
- b. Lower body
- c. Upper body
- d. LED head
- e. Transformer

