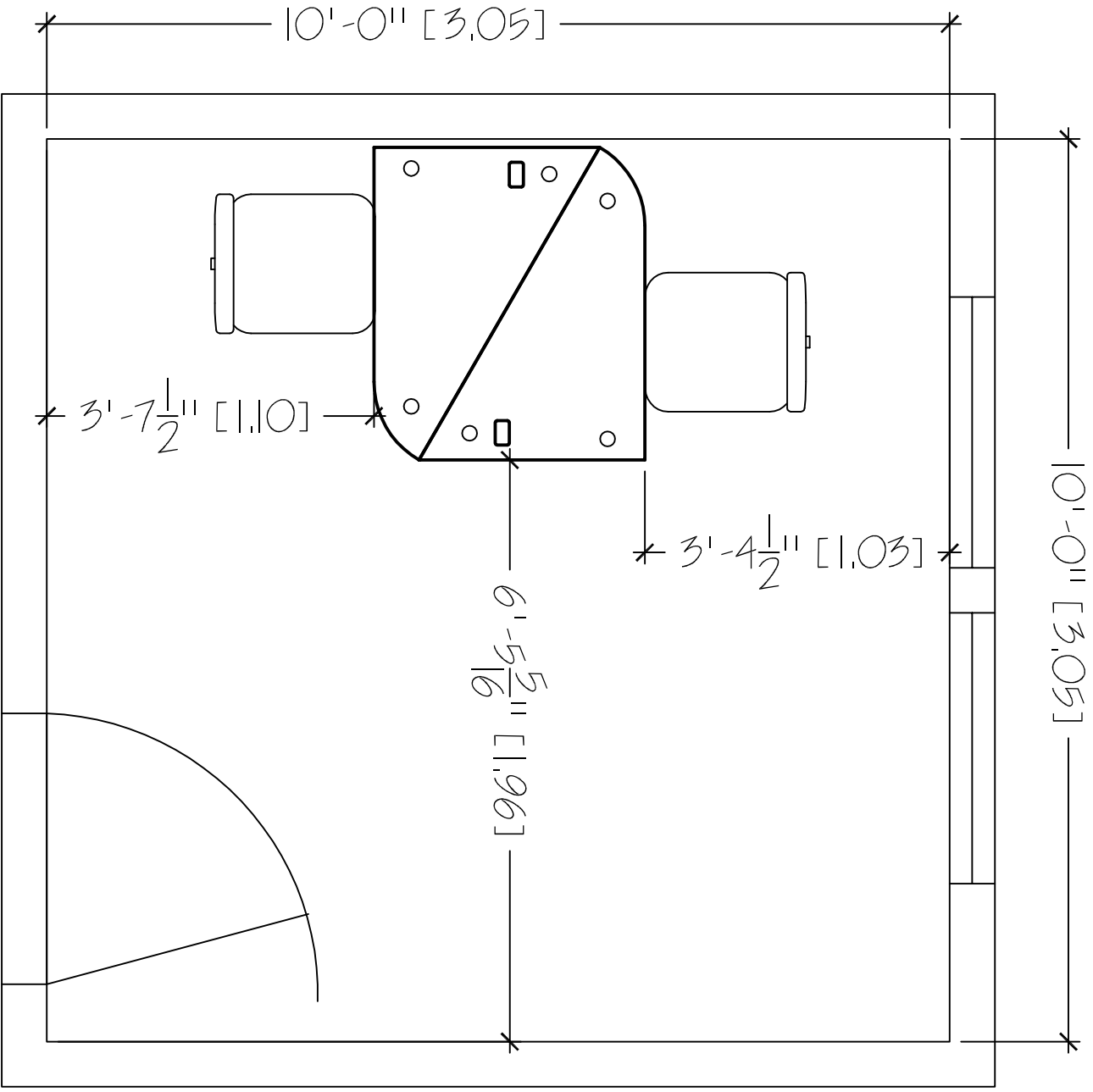


GROUP
10'X10'
SEAT COUNT: 2



SMARTdesks
514F Progress Drive
Linthicum, MD 21090
800.770.7042
www.smartdesks.com

Property of CBT Supply, Inc. Not to be duplicated.
All ideas, plans or arrangements indicated in this drawing
are copyrighted and owned by CBT Supply, Inc. and shall not
be reproduced, used or disclosed to any person or firm or
corporation without written permission of CBT Supply, Inc.

SMARTdesks
DESIGN CENTER