

# SPECIFICATION SHEET AND ORDERING INFORMATION



## Specifications

- Table thicknesses requirement: .71" - 1.97"
- Recommended Table Cutout: 80mm round
- 1.5A, 5V Input
- Standard Cord Length: 78"
- Standard Finish Options: Black Aluminum, White Aluminum, or Black
- Compatible with any Qi rated device
- Steel plate and screws included to secure to surface

## AIRCHARGE™ WIRELESS CHARGER

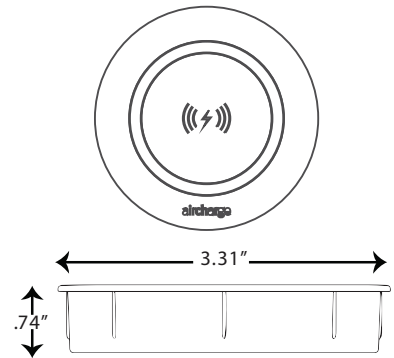
The AirCharge is a wireless charging solution that provides power to any Qi compatible smartphone or device. Designed to be easily installed in table surfaces, the unit can be integrated into a wide range of spaces offering a convenient way to power your favorite devices without the hassle of power cords or cables. A steel mounting plate and screws are included allowing customers the option to secure the grommet in place. For devices incompatible with the Qi technology, simply place the AirCharge Wireless Receiver on the surface grommet and connect your device using the adapter plugs available.

### Ordering information

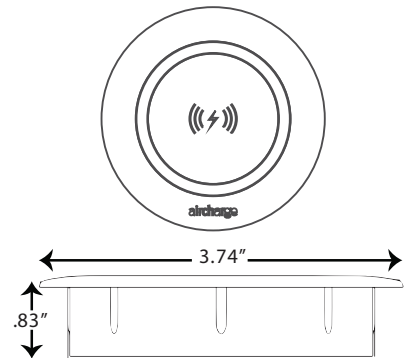
Part Number	Configuration	Finish
AIR-W-CHARGE-AL		Black Aluminum
AIR-W-CHARGE-B	AirCharge wireless surface grommet with 78" USB cord.	Black
AIR-W-CHARGE-WAL	Two pronged plug to fit into a standard wall outlet is included.	White Aluminum
AIR-MAC-B-MICRO	Wireless Charging Receiver for Micro-USB Devices	Black
AIR-MAC-B-LTNG	Wireless Charging Receiver with Lightning Cable	Black
AIR-RECEIVER-ST	Orb Receiver includes Lightning, 30-pin, and Micro-USB connectors	Black

## Product Dimensions

Black Aluminum and White Aluminum  
Dimensions: 3.31" x .74"



Black  
Dimensions: 3.74" x .83"



www.smartdesks.com | 800 770 7042