

Smartdesks Model DDL-662428-205 Legs





Panel List

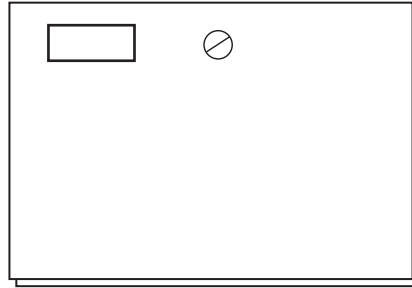
Note: Separate and stack panels by like types before beginning assembly process.

DL Seminar Series Laptop Tables #205 Legs with Vertical Wire Management Channel

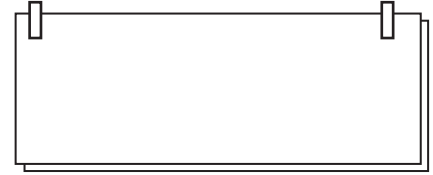
1 Top Panel • Table Legs • Mounting Plates

Optional accessories included if ordered with table: 1 Modesty Panel • 1 Surge Suppressed Power Strip • Modesty Panel

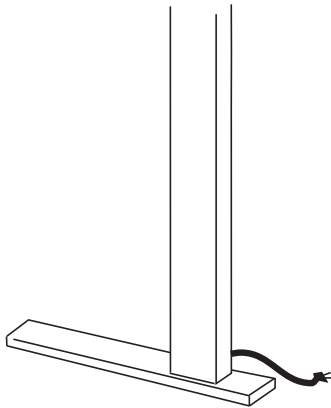
-  = Leveler
-  = Screw
-  = Screw Hole
-  = Grommet/wire access



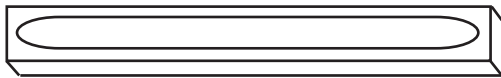
Top Panel (1 ea.)



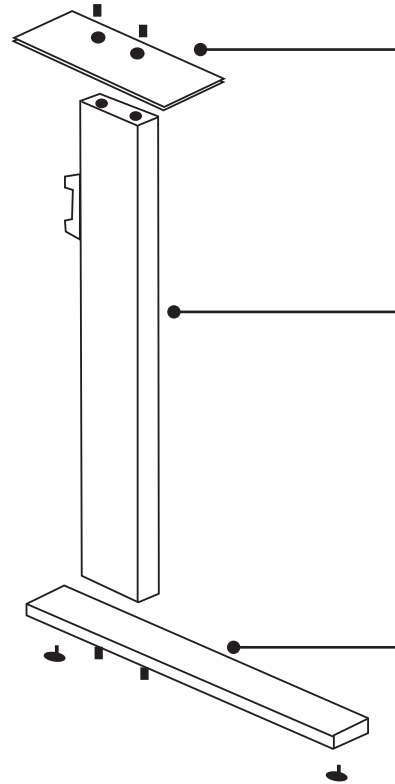
Modesty Panel (1 ea.)



Foot and Vertical Wire-Management Channel (1 ea.)



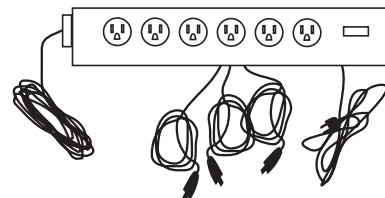
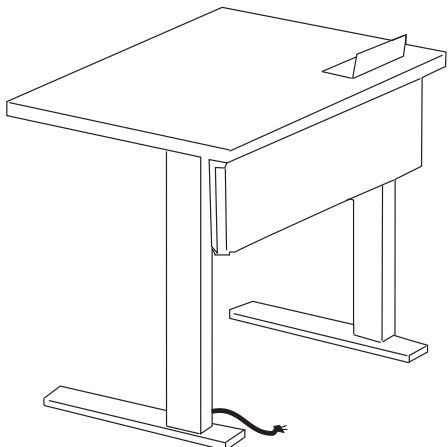
Wire Channel (1 ea.)
Mount w/double edge taping



Mounting Plate
Quantity Vary according to table style ordered

Table Leg Column
Quantity Vary according to table style ordered

Table Leg Foot
Quantity Vary according to table style ordered



Surge Suppressed Power Strip (1 ea.)

Please contact CBT Supply, Inc. at www.smartdesks.com for further technical assistance. Phone toll free: 800-770-7042 and ask for technical services.

Hardware Inventory Sheet

2 persons needed to assemble

Smartdesks Seminar Table Components:

DL Seminar Series Tables
#205 Legs with Vertical Wire Management Channel
#201 Leg Style T configuration

Unpack Parts and Hardware:

Parts and panels will vary according to Smartdesks model. See Parts & Panels List and Hardware Inventory Sheet. Please verify all parts and quantities prior to assembly. Contact the factory if your quantities are incomplete. Note: All panels are predrilled ready for assembly.

Tools needed for assembly:

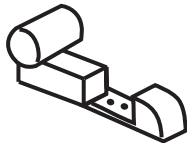
7/16" Allen Wrench; 1/4" Allen Wrench

Power drill with #2 Phillips screwdriver bit and regular #2 Phillips screwdriver.

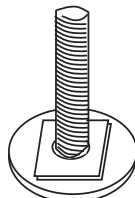
Note: The Right legs of ALL tables - facing the user - are ASSUMED to have the Vertical Wire-management Channel. This Channel is ASSUMED to face outward. However, the leg with the Vertical Wire Management Channel may be positioned in any location.

The following diagram shows the contents of the hardware bag.

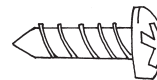
Contents of Hardware Bag: (quantities for each unit - multiply by number of components)



Modesty Panel Brackets
for mounting Modesty Panel
to Leg/Hinge



Levelers
Thread into bottom
of Leg Foot



Flathead Screws
for Leg assembly
of Foot to Column,
Mounting Plate to Column



Cap Screws
for Modesty Panel
Brackets, Surge-
Suppressed Power Strip,
Top Plate to Top Panel



DL Seminar Table
Computing Table System with
Power/Data Ports, Fold-down
Modesty Panel w/Surge-Suppressed
Power Strip and Off Set legs



DL Seminar Table
Computing Table System with Fold-
down Modesty Panel and Off Set legs



DL Seminar Table
Work Table System with T-Legs -
Adjustable Height and folding leg
options available

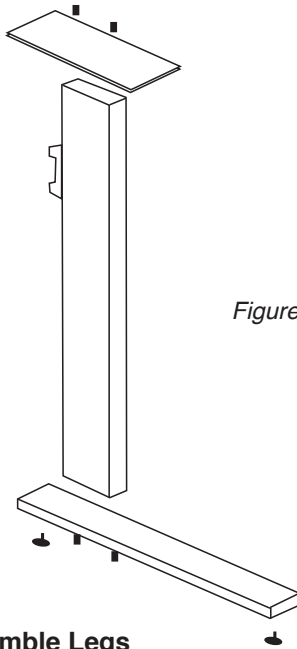


Figure 1

STEP 1: Assemble Legs

In a clean work area place Top Mounting Plate and column pieces down on the floor on cardboard or carpet/packing quilt. With a 3/16" Allen Wrench, attach 4" x 10" top (Mounting) Plate to Column using the supplied Flat head screws. With a 1/4" Allen Wrench, attach Foot (Main Bar) to Column using the supplied Cap Screws. (Fig. 1) Tighten down all screws using 70-90 foot-pounds of force. If Levelers are not installed, thread supplied levelers into the bottom of Foot (Main Bar).

NOTE: The Right Legs of All Tables – Facing The User – Are Assumed to have the Wire-Management Channel. This Channel is Assumed to face inward. However, the Leg with the Vertical Wire-Management Channel may be positioned in any location. Consult with the client before assembly.

Repeat STEP 1 for the assembly of the remaining Leg(s)

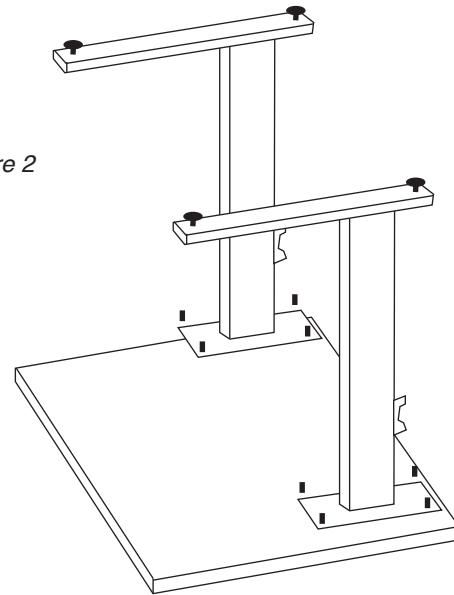


Figure 2

STEP 2: Legs to Top Assembly

NOTE: 2 person assembly required for proper fit.

Invert Top on a blanket. Using supplied screws, Attach Top (Mounting) Plates to the top. Be sure the Modesty Panel Brackets face the back of the Top and they are closest to the Top. (Fig. 2) Single and Double Station Tables have two Legs. Triple Station Tables have Three Legs.

NOTE: The Right Legs of All Tables – Facing The User – Are Assumed to have the Wire-Management Channel. This Channel is Assumed to face inward. However, the Leg with the Vertical Wire-Management Channel may be positioned in any location. Consult with the client before assembly.

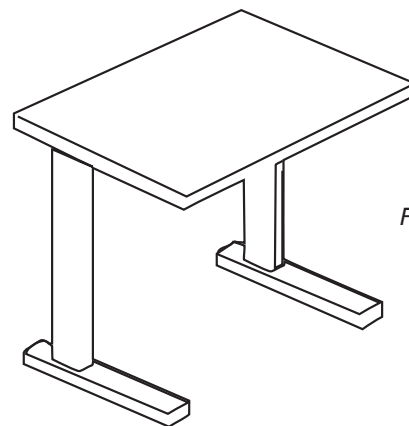


Figure 3

STEP 3 - Flip DL Seminar Table 180° to Upright Position

NOTE: 2 persons required for this step.

Roll DL Seminar Table on its back then to its upright position. (Fig. 3)

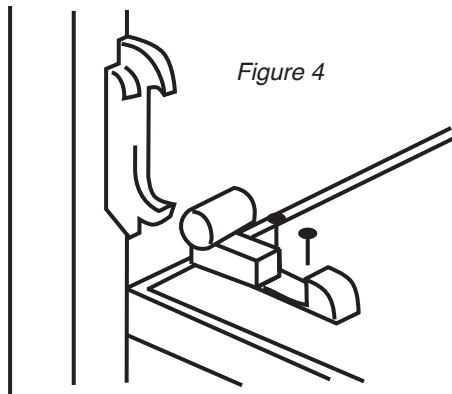


Figure 4

STEP 4 - Modesty Panel Assembly

NOTE: 1 person assembly required for proper fit.

Mount Brackets to the Modesty Panel with supplied screws in pre-drilled holes. The hinge is at the bottom. (Fig. 4)

Single and Double Station Tables have 2 Brackets.
Triple Stations have 3 Brackets.



Figure 5

STEP 5 - Wire Channel Assembly

NOTE: 1 person assembly required for proper fit.

Mark a line 1-5/8" from the Bottom of the Panel. Mount the Wire Channel above this line centered between the brackets. Be sure to check clearance between legs before mounting. Peel the backing from the double edge tape and CAREFULLY Align the channel. Removal is very difficult. (Fig. 5) Attach the Surge-Suppressed Power Strip above the channel with the supplied screws. The cord outlet should face the Leg with the Vertical Wire-Management Channel.

STEP 6 - Wire Management Set Up

NOTE: 1 person assembly required for proper fit.

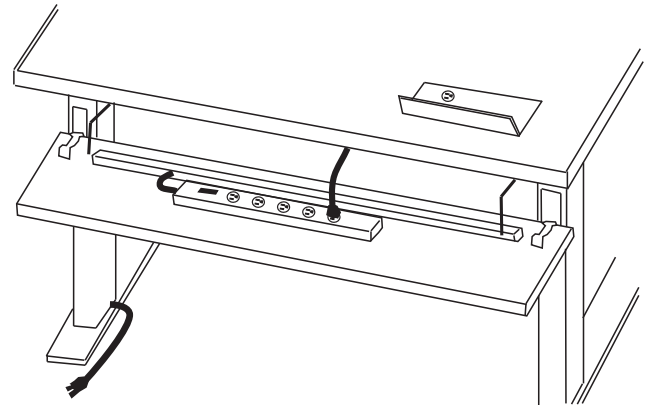
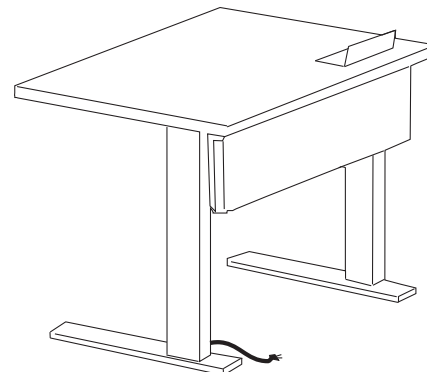


Figure 6

Install the Modesty Panel by clipping it to the hinge halves on the Table Legs. Install the Power/Data Port by inserting it into the Cut-Out. Use the Square Retaining Ring to Secure the Box. Check to see that the Hinged Lid operates smoothly and the lid slides away into the pocket without binding. Adjust if necessary. Thread the power cord from the Surge-Suppressed Power Strip into the Horizontal Wire-Management Channel and out the end. Press the power cable into the Vertical Wire-Management Channel from the top (the door is spring-hinged) and down to the outlet at the floor. Thread the Network Cable from the floor or wall up through the Vertical Wire-Management Channel and across the Horizontal Wire-Management Channel and then up to the barrel connectors in the Power/Data Port.

STEP 7 - Arrange and Level



Lift the Modesty Panel on the hinges and snap in an upright position. Lay out the tables according to the plan. Install the connector Panels where specified. Level tables.