

# Bi-Level Recessed Monitor PC Tables

## S P E C I F I C A T I O N S

SKU: PL-SBL-DBL

The Bi-Level Computer Table has a great work space, ergonomic keyboard placement, and semi-recessed LCD monitor placement for unobstructed sight lines in the classroom. Bundled with CPU holder, wire management, and 6-outlet power, this unit is built for quality ergonomics and excellent classroom interaction.

### Features include:

- J-shape CPU holder mounts to underside of top, with various sizes available for large towers or small form factor cases
- 6-outlet power strip is supplied for each user
- Large 1x3 wire management channels are mounted to the modesty panel
- Wire management holes are located in the legs for routing from the floor to the modesty panel area
- Available in a range of sizes for one or two users



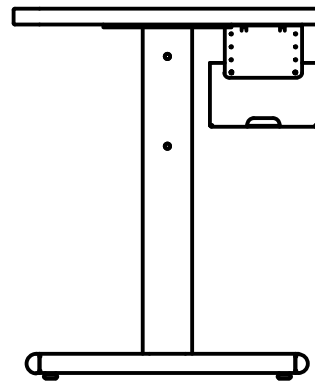
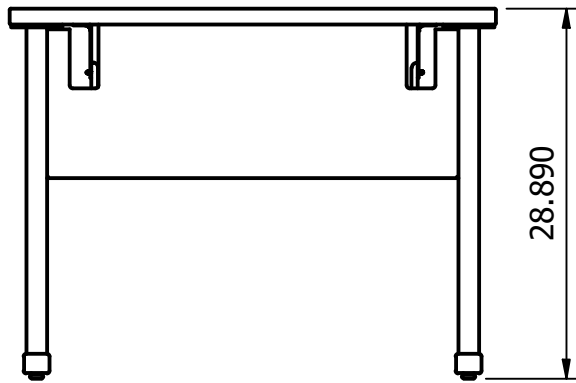
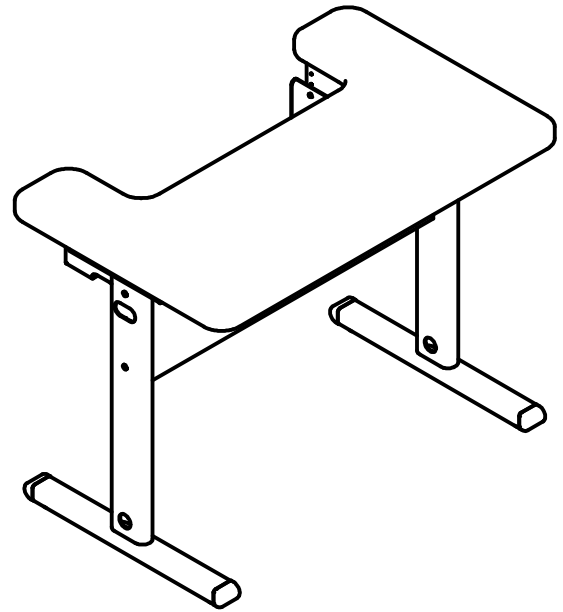
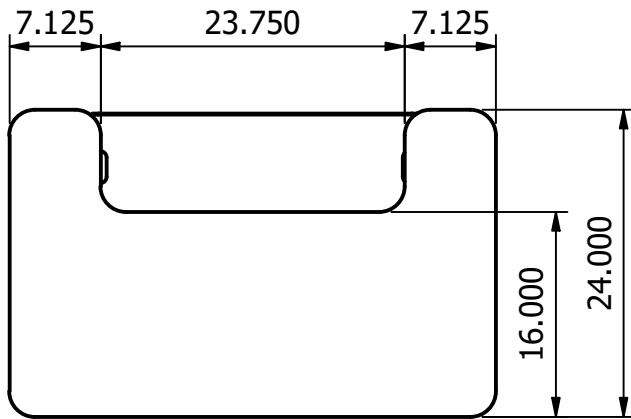
800 770 7042 | [www.smartdesks.com](http://www.smartdesks.com)

**SMARTDESKS**<sup>®</sup>

where design meets technology<sup>sm</sup>

Tolerances:  
 X/X=± 1/16 .XX=±.03 .XXX=±.015 ANGLES=± 1°

Rev	Date	Init	Description of change
-----	------	------	-----------------------



Mat'l:



**SMARTdesks**  
 42F Maple Terrace  
 Hibernia, N.J. 07842  
 800.770.7042  
**SMARTdesks.com**

P/N: SBL-382430-VKX

Desc:

Dsgnr: RD LAMPKIN

Date: 3/31/2010

Dwg by: RLAMPKIN

Date: 4/8/2019

Dwg no:

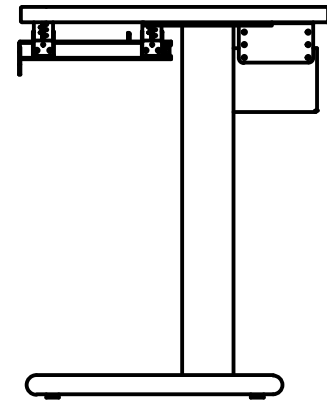
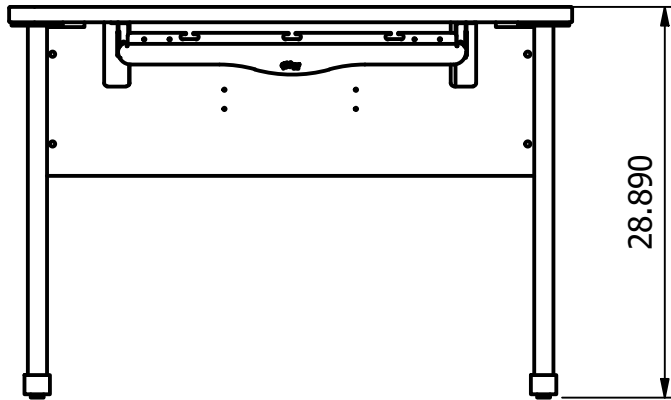
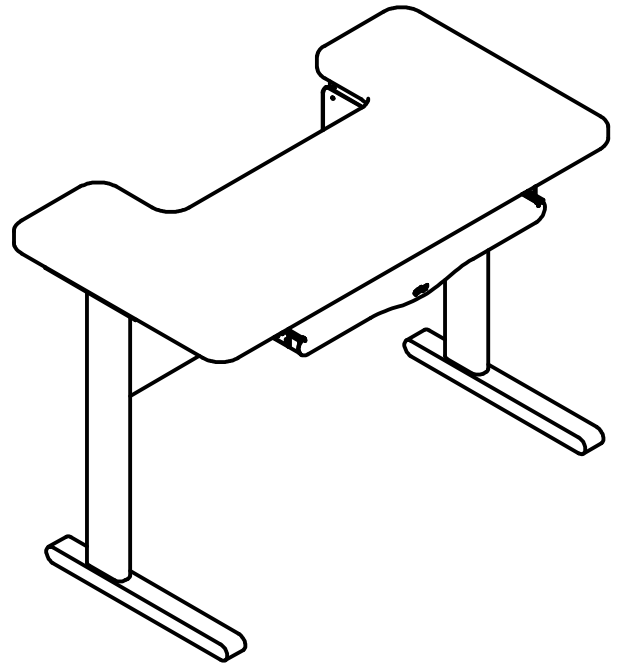
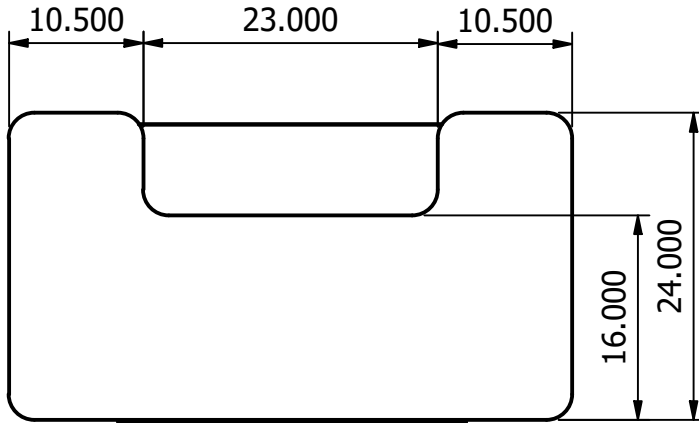
Sheet

SBL-382430-VKX SPEC

1 of 1

Tolerances:  
 X/X=±1/16 .XX=±.03 .XXX=±.015 ANGLES=± 1°

Rev	Date	Init	Description of change
-----	------	------	-----------------------



Mat'l:



**SMARTDesks**  
 42F Maple Terrace  
 Hibernia, N.J. 07842  
 800.770.7042  
**SMARTdesks.com**

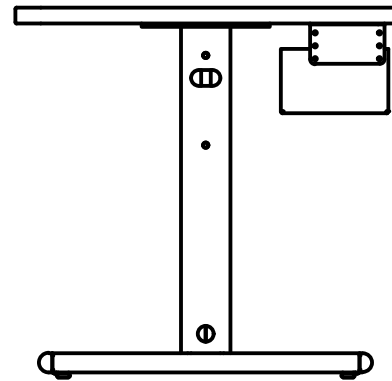
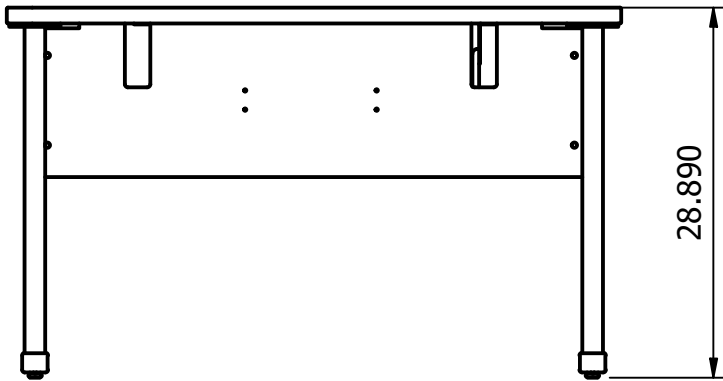
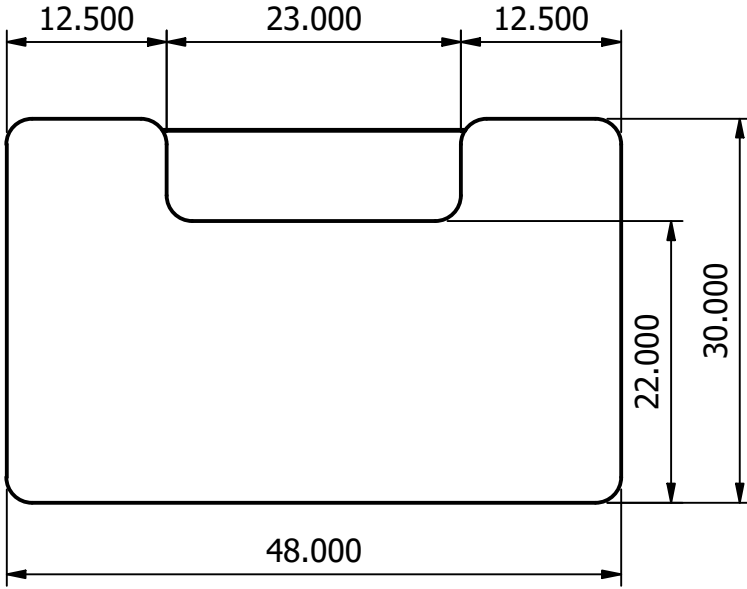
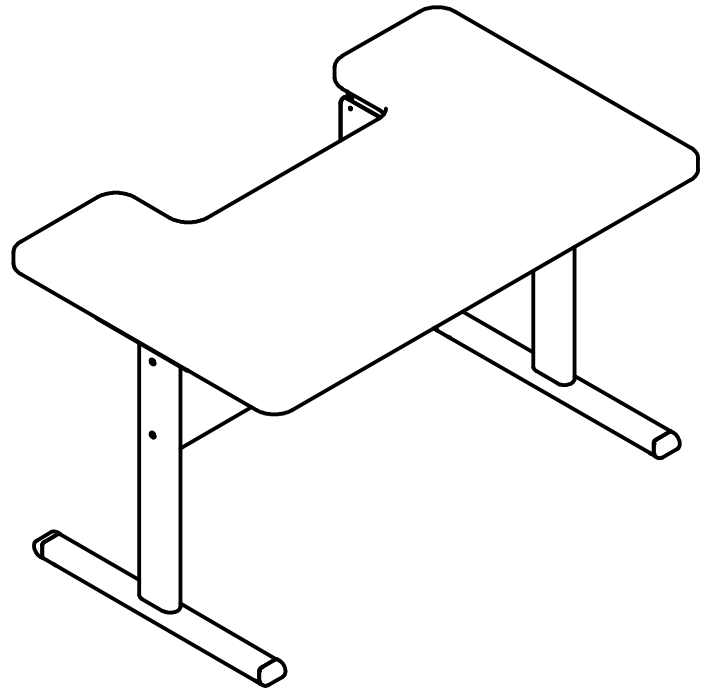
P/N: SBL-442630-XXX	
Desc:	
Dsgnr: Roger	Date: 12/18/2009
Dwg by: RLAMPKIN	Date: 4/30/2019
Dwg no:	

SBL-442430-XXK SPEC

Sheet  
 1 of 1

Tolerances:  
 X/X=± 1/16 .XX=±.03 .XXX=±.015 ANGLES=± 1°

Rev	Date	Init	Description of change
-----	------	------	-----------------------



Mat'l:



**SMARTDesks**  
 42F Maple Terrace  
 Hibernia, N.J. 07842  
 800.770.7042  
**SMARTdesks.com**

P/N: SBL-483030-XXK	
Desc: SINGLE BI-LEVEL WORKSTATION	
Dsgnr: RD LAMPKIN	Date: 1/27/2010
Dwg by: RLAMPKIN	Date: 4/8/2019

Dwg no: SBL-483030-XXK SPEC Sheet 1 of 1