

# FlipITLaptop Safe®

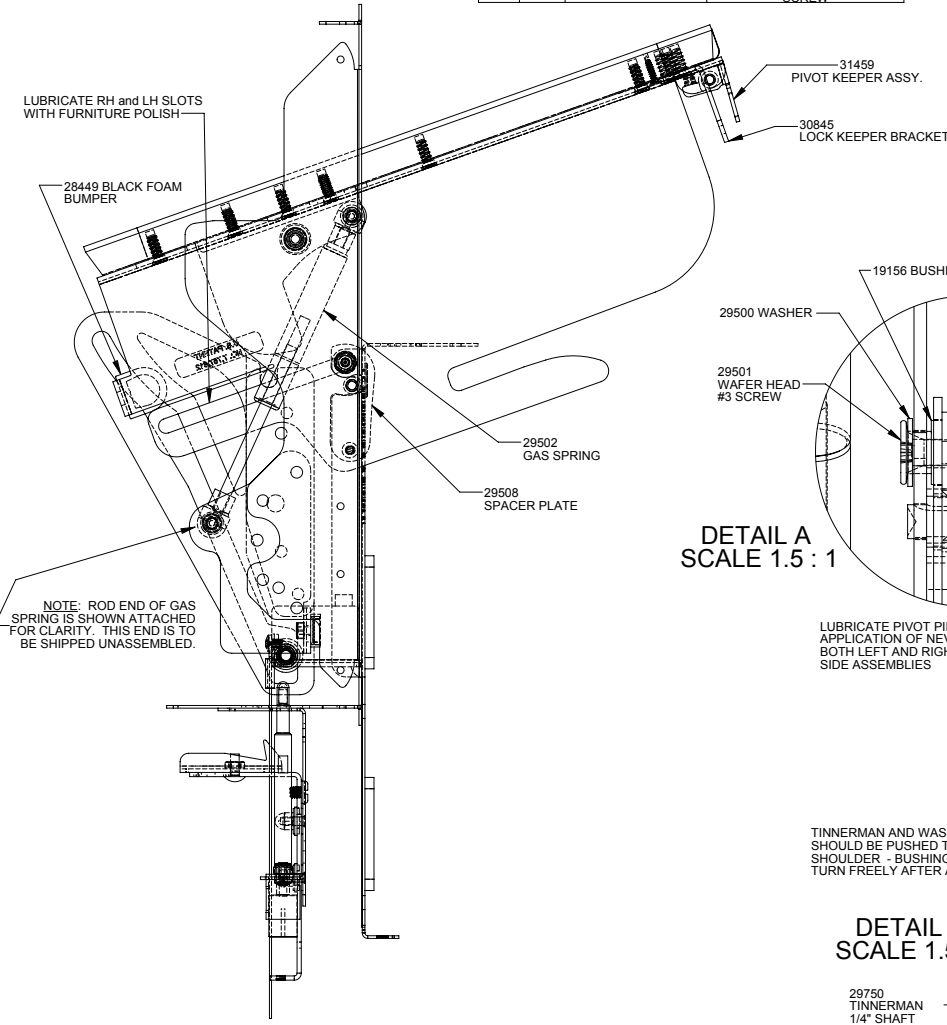
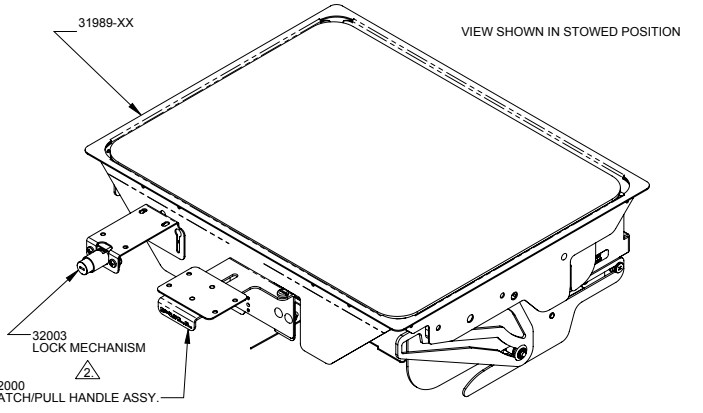
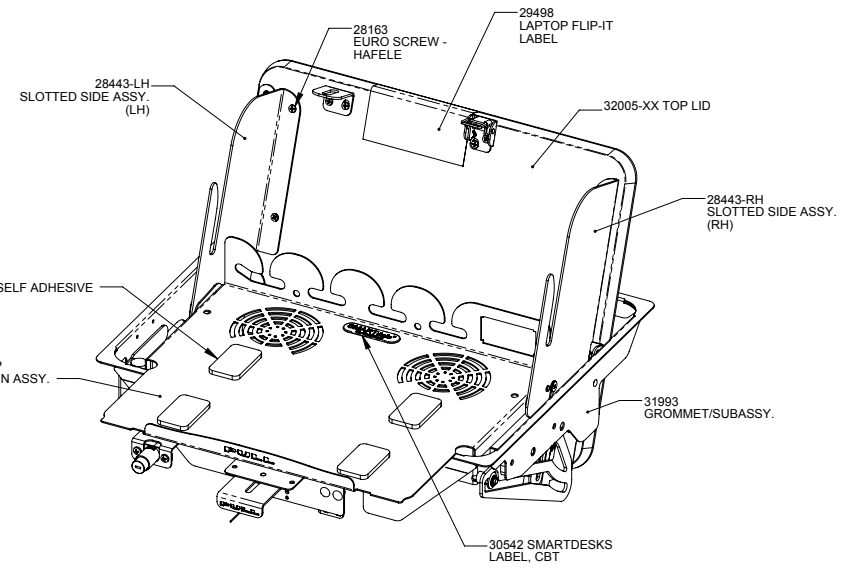
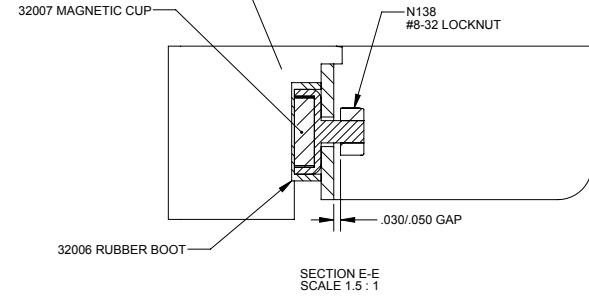
## FIL-18 Parts Identification



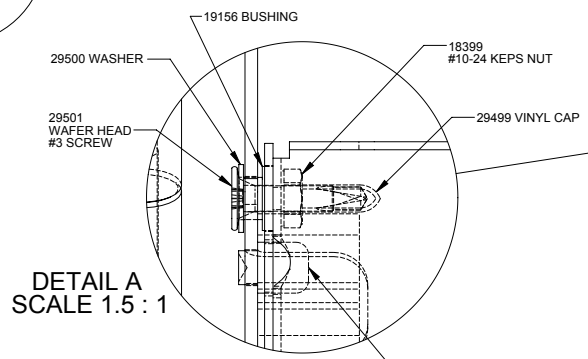
800 770 7042 | www.smartdesks.com

ITEM NO.	QTY.	PART NUMBER	TITLE
1	2	27332	BUSHING
2	1	29506	LH ARM CATCH ASSY.
3	1	28443-LH	SLOTTED SIDE ASSEMBLY
4	1	28443-RH	SLOTTED SIDE ASSEMBLY
5	2	28449	BLACK FOAM BUMPER
6	2	28450	6" ANTI SCRATCH TAPE
7	16	28163	EURO SCREW - HAFELE
8	1	29505-RH	ARM FOR LAPTOP FLIP-IT
9	1	29513	TRACK SPACER BUSHING
10	1	29511	SLIDER BUSHING SPACER
11	2	29503	WASHER
12	2	29750	TINNERMAN 1/4" SHAFT
13	2	29500	WASHER
14	2	29501	WAFFER HEAD #3 SCREW
15	2	18399	#10-24 KEPS NUT
16	2	29499	VINYL CAP
17	2	29508	SPACER PLATE
18	2	29507	PANEL RIVET
19	1	C2047	5/16" USS WASHER
20	1	30542	SMARTDESKS LABEL, CBT
21	2	19156-3	BUSHING
22	1	31993	GROMMET/STUD ASSEMBLY
23	1	30845	LOCK KEEPER BRACKET
24	1	TS295	#10-32 X 3/8 TRILOBE
25	1	32005-XX	TOP LID
26	1	31990	LAPTOP TRAY/STOP PIN ASSY
27	1	29502	GAS SPRING, 80 lbs.
28	4	30217	FOAM PAD, SELF ADHESIVE
29	1	N138	NYLON INSERT LOCKNUT, #8-32 UNC
30	1	29498	LAPTOP FLIP-IT LABEL
31	1	31459	PIVOT KEEPER ASSEMBLY
32	1	32000	LATCH/PULL HANDLE ASSY.
33	1	32003	LOCK MECHANISM
34	1	31997	MAGNETIC CATCH PLATE
35	1	32006	BOOT CUP/MAGNET
36	1	31533	CABLE ASSEMBLY
37	1	32007	CUP MAGNET, CUPM625
38	1	TS336	#6 X 5/8" FHS PR UNDERCUT SCREW

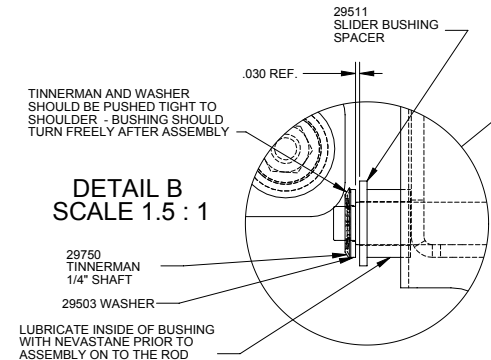
DETAIL EE  
SCALE 1.5 : 1



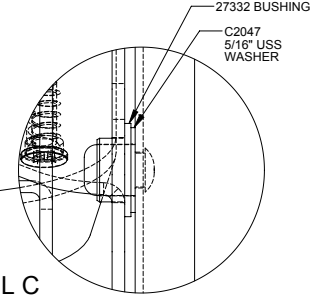
DETAIL A  
SCALE 1.5 : 1



DETAIL B  
SCALE 1.5 : 1



DETAIL C  
SCALE 1.5 : 1



DETAIL D  
SCALE 1.5 : 1

