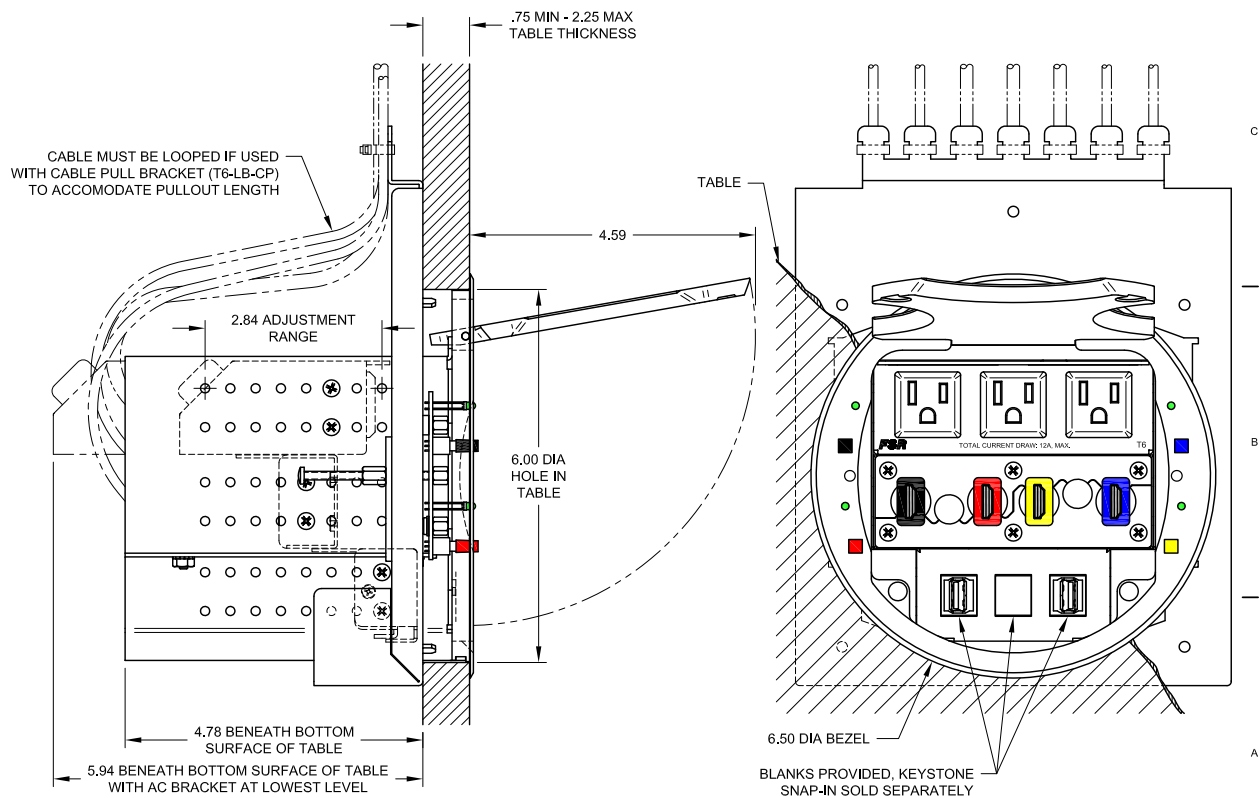


HV-1000 specifications

HuddleVu® Intuitive Video Switching

The HV-1000 single table box system employs a single FSR HV-T6 table box that allows 1 to 4 users to plug in and power their laptops or other input devices and simply push a button to display their desktop information on the main display. Any user can switch to their own laptops, tablets, and smartphones at any time simply by pushing their own button on the T6 housing. Color coded HDMI cables, which are included with the system, match corresponding integrated button on the HV-T6 Table Control unit. The HV-1000 System includes an HV-T6 table control unit, a controller, a switcher, and cabling for up to 4 users.



HV-1000 Features

- Collaborate and share ideas on your computer screen and others
- One button press inclusion of users
- No software or programming required
- Simple installation
- Hardware and cables included
- Conversion kits available for VGA and audio input



www.smartdesks.com

800 7707042

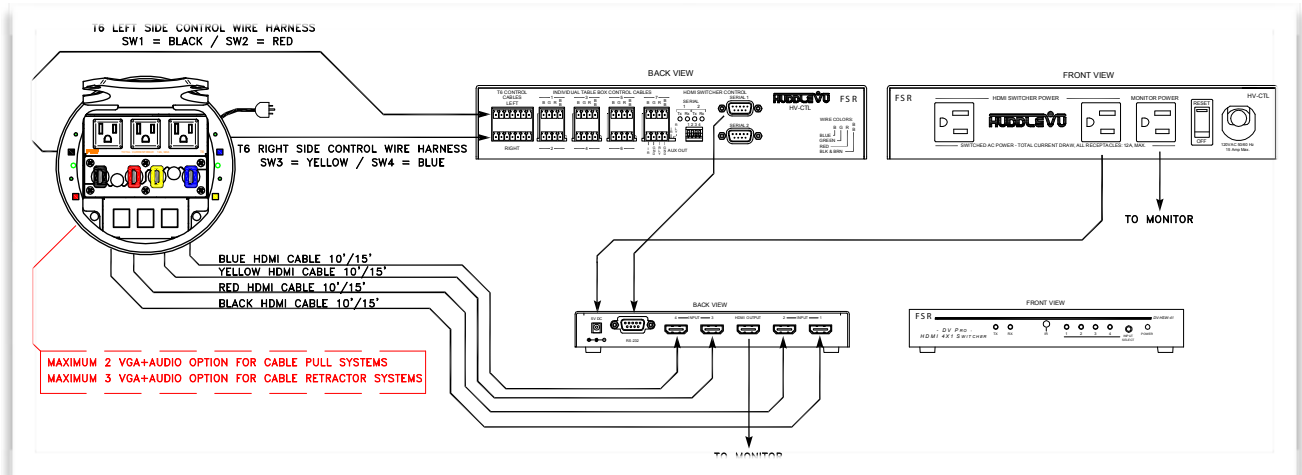


HV-1000



Wiring Diagram (typical)

Diagrams provided by FSR and used by permission. This product is sold through SMARTdesks and is available for integration into SMARTdesks furniture products. All FSR product designs and illustrations are property of FSR and all SMARTdesks designs are property of CBT Supply, Inc. Not to be duplicated. All ideas, plans or arrangements indicated in this work are copyrighted and owned by CBT Supply, Inc. and shall not be reproduced, used or disclosed to any person or firm or corporation without written permission of CBT Supply, Inc.



www.smartdesks.com

800 7707042