

iLid® Flip Screen Computer Desk S P E C I F I C A T I O N S

SKU: PL-SID-DID

Intuitive to use, the screens on the iLid® open and adjust for easy viewing and touch surface interface. Screens are mounted securely, yet the VESA mount permits quick release if desired.

Features:

- Use with VESA compliant LCD monitors
- Maximum monitor size 21" w or 23" x 16" h
- Full 12.75" usable desk space in front of iLid gives freedom to use computer and text materials together.
- Robust, retractable 26" x 8" keyboard/mouse tray with retaining fence and cord pass-through
- Optional keyboard stow tray instead of keyboard tray
- Spacious 10" CPU shelf under desk, placed conveniently for wire management and IT access.
- Includes PD-FC707 power strip with 3 power outlets, 1 powered USB port for charging devices, 12 AMP rating with 10' 14-3 power cord with right angle plug
- Large capacity 24" Neat Links wire management channel mounted to modesty panel.
- 80mm side access cable grommets.
- High performance, institutional grade surfaces: top surface finished with high-pressure laminate, base finished in melamine, PVC edge trim, iLid top matches top.
- Contemporary styling includes contoured, arched side panels and radius corners.
- Optional locking casters for easy mobility.

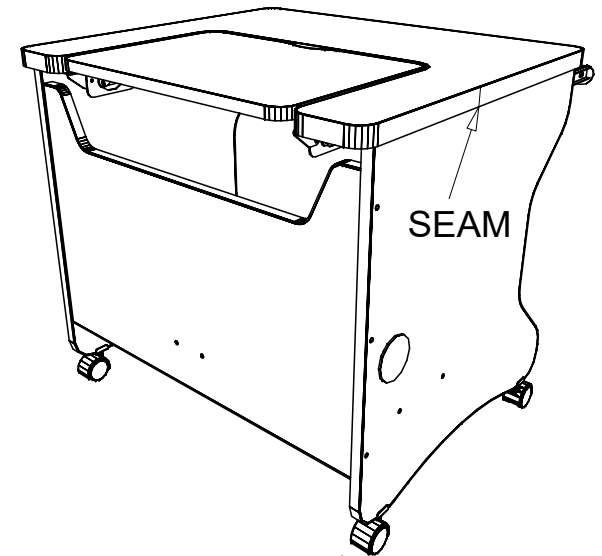
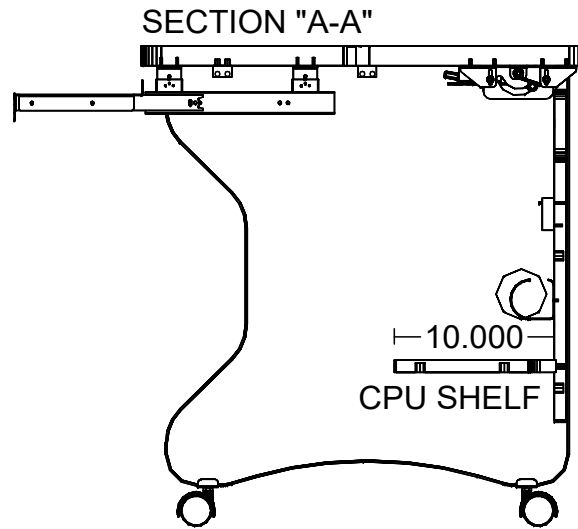
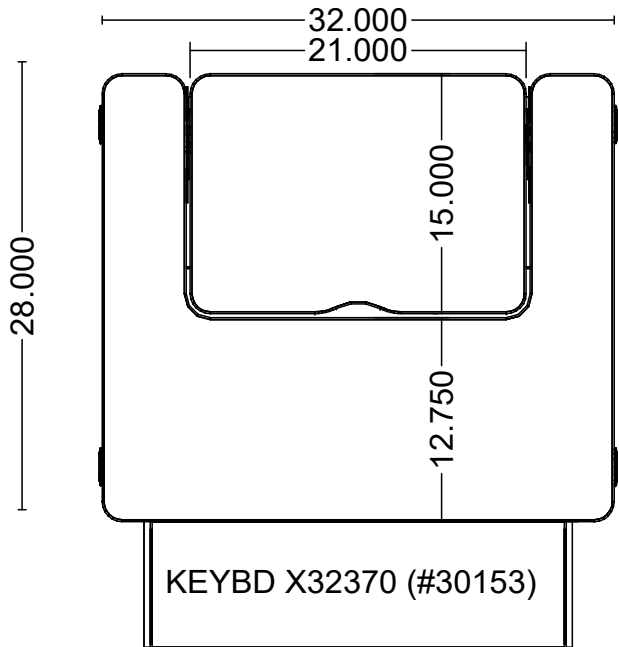
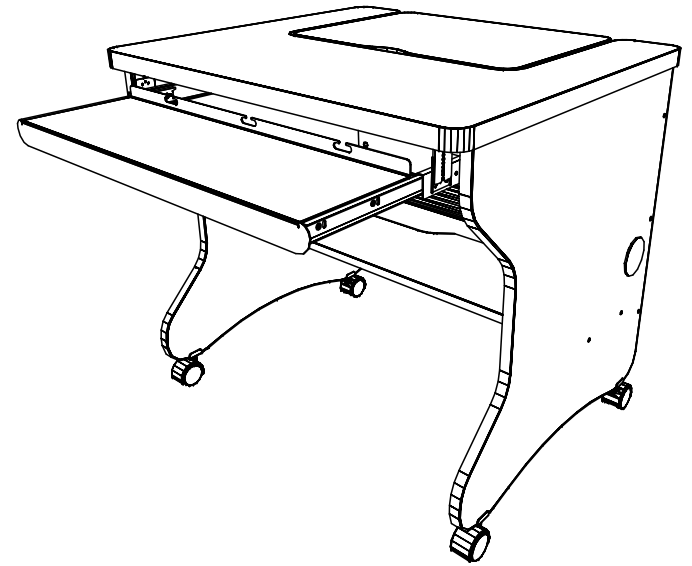
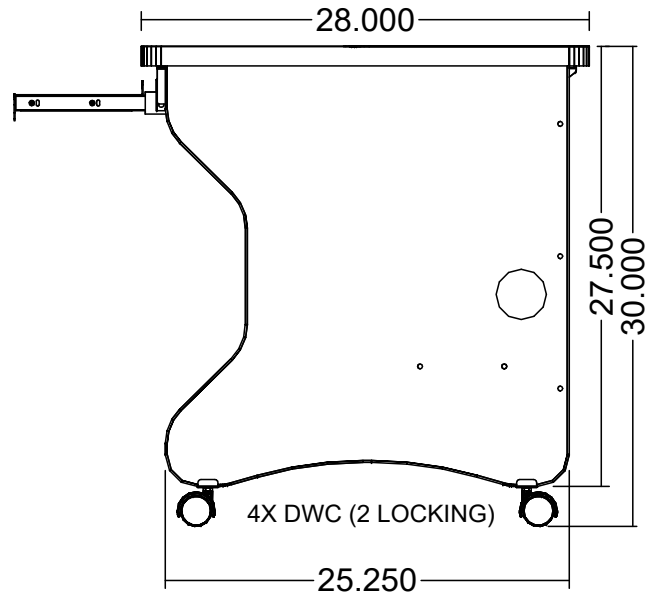
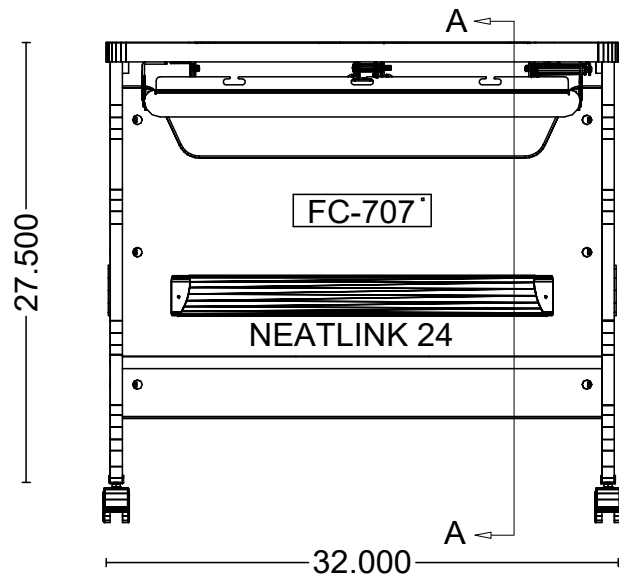


800 770 7042 | www.smartdesks.com



where design meets technologysm

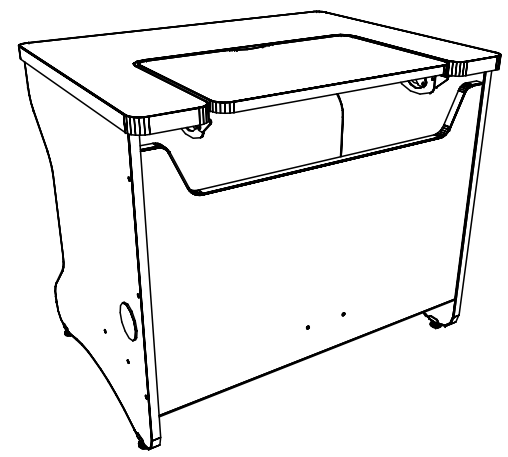
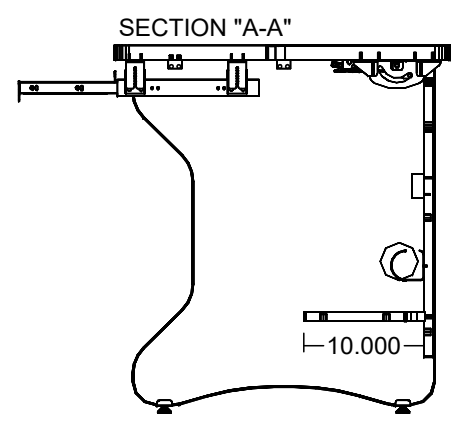
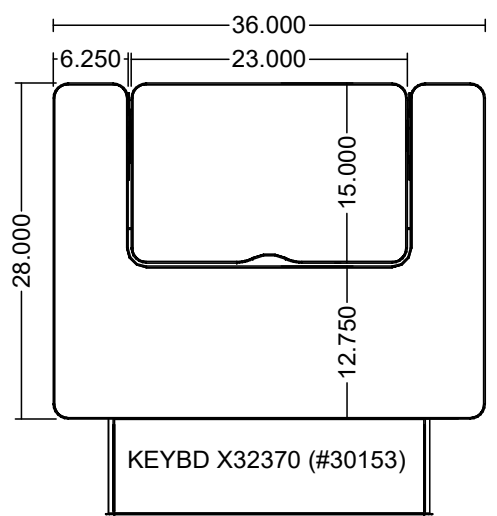
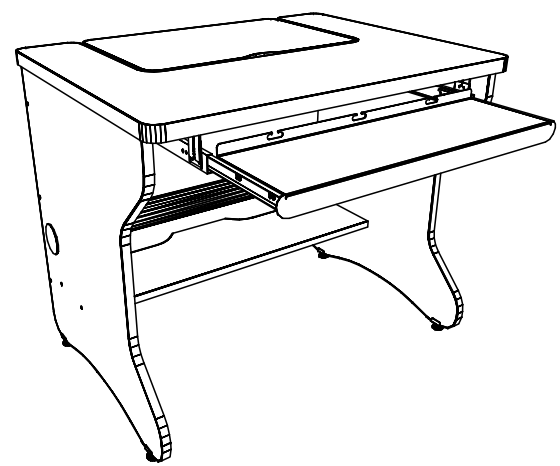
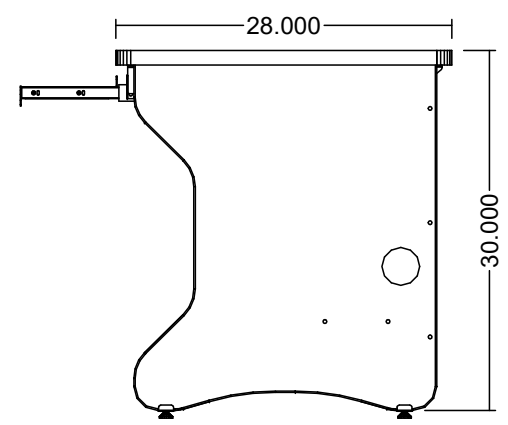
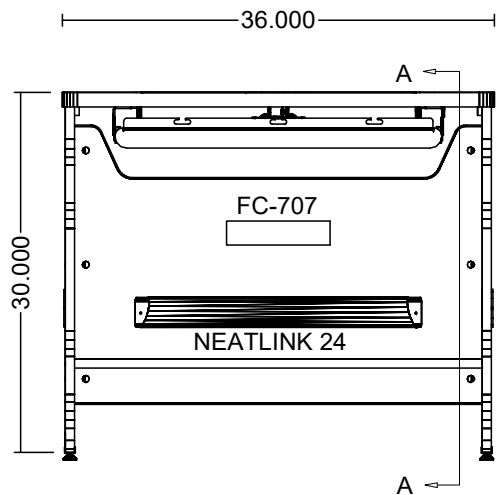
MATERIAL:
 FINISH:
 EDGE:



REVISIONS				TOLERANCES	PART NAME	
SYM	DATE	BY	DESCRIPTION	UNLESS SPECIFIED OTHERWISE	SID-322830-I21-LC	
				DECIMALS	DATE:	DRWN BY:
				.X : —	SCALE:	CAD NO.
				.XX : —	CHK'D BY:	CNC NO.
				.XXX : —	NOTICE: This drawing is the property of CRT Supply, Inc. dba SMARTdesks and containing proprietary information that is not to be used except in the consideration of bids or proposals tendered herewith. Reproductions or copying of the drawing, in whole or in part, is prohibited.	
				ANGLE : —	PRODUCT GROUP	
					800.770.7042 www.Smartdesks.com	
					DRAWING NO. PO# 10794	
					REV.	



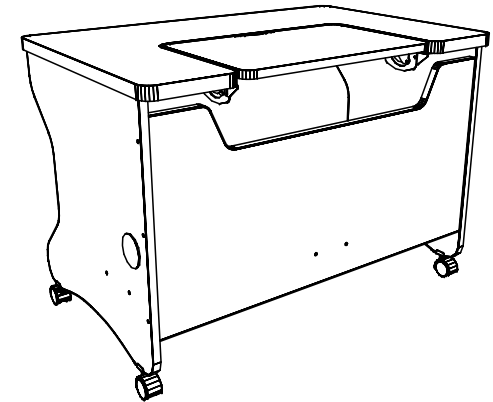
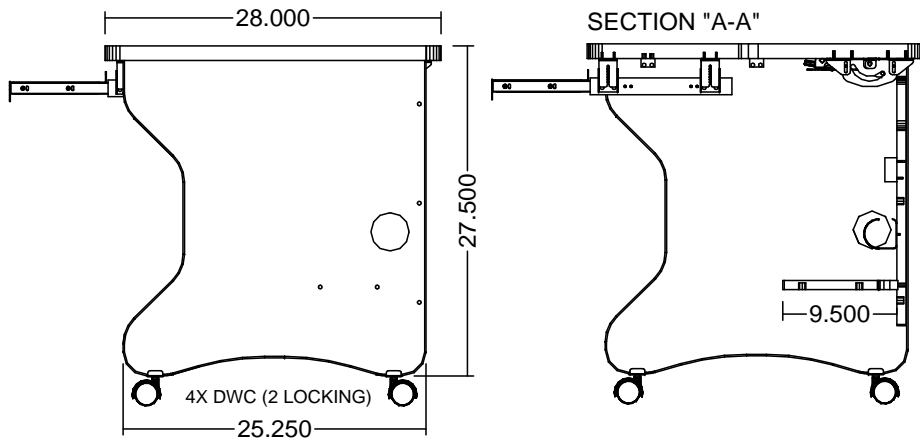
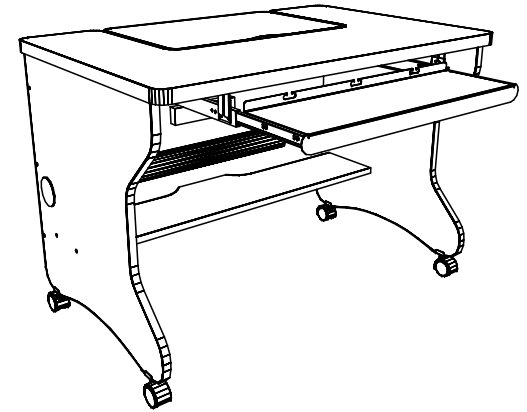
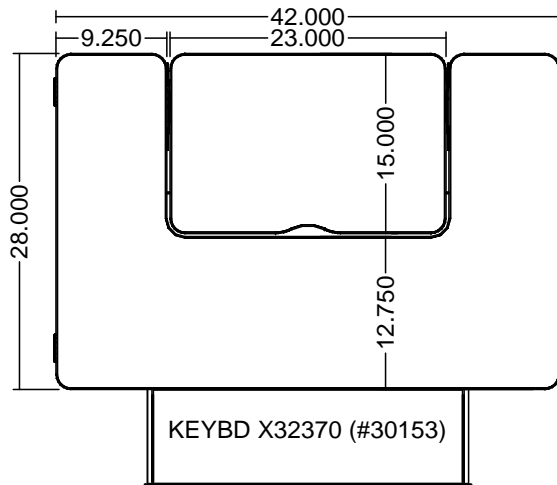
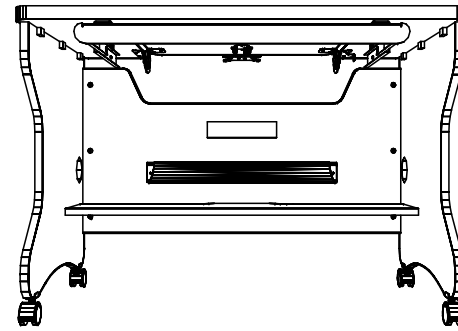
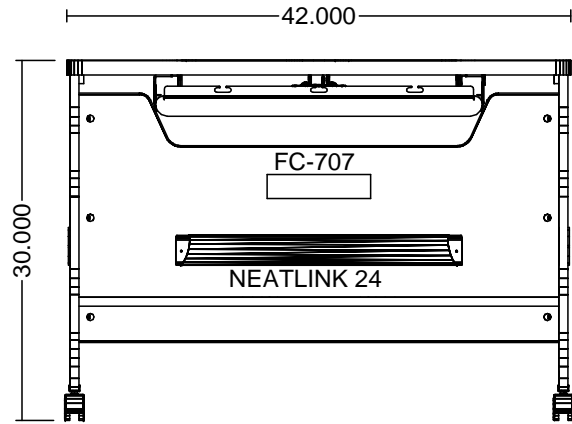
MATERIAL:
 FINISH:
 EDGE:



REVISIONS				TOLERANCES	PART NAME	
SYM	DATE	BY	DESCRIPTION	UNLESS SPECIFIED OTHERWISE	SID-362830-I23	
				DECIMALS	DATE:	DRWN BY:
				.X : —	SCALE:	CAD NO.:
				.XX : —	CHK'D BY:	CNC NO.:
				.XXX : —	NOTICE: This drawing is the property of CRT Supply, Inc. dba SMARTdesks and containing proprietary information that is not to be used except in the consideration of bids or proposals tendered herewith. Reproductions or copying of the drawing, in whole or in part, is prohibited.	
				ANGLE : —	PRODUCT GROUP	
					DRAWING NO. PO# 10728	
					REV.	



MATERIAL:
 FINISH:
 EDGE:



REVISIONS				TOLERANCES	PART NAME	
SYM	DATE	BY	DESCRIPTION	UNLESS SPECIFIED OTHERWISE	SID-422830-I23-LC	
				DECIMALS	DATE:	DRWN BY:
				.X : —	SCALE:	CAD NO.:
				.XX : —	CHK'D BY:	CNC NO.:
				.XXX : —	NOTICE: This drawing is the property of CRT Supply, Inc. dba SmartDesks and contains proprietary information that is not to be used except in the consideration of bids or proposals tendered herewith. Reproductions or copying of the drawing, in whole or in part, is prohibited.	
				ANGLE : —	PRODUCT GROUP	
					800.770.7042 www.Smartdesks.com	
					DRAWING NO. PO# 9636	
					REV.	



800.770.7042
www.Smartdesks.com

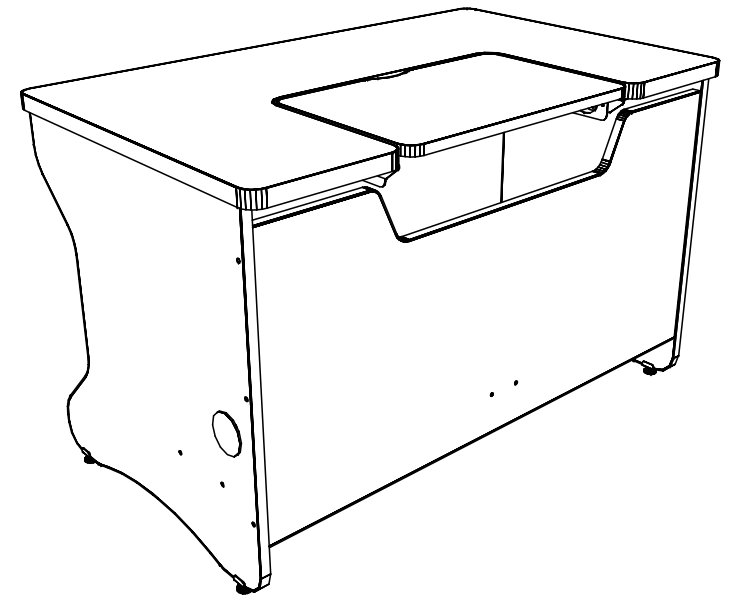
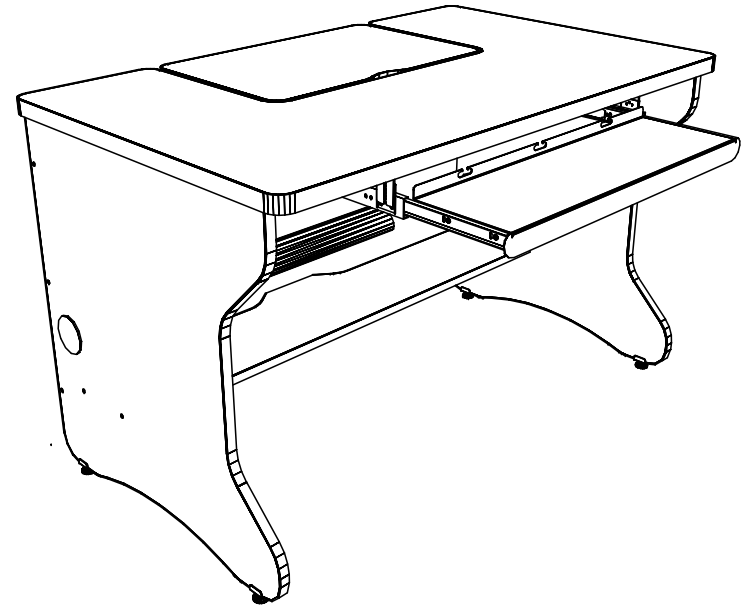
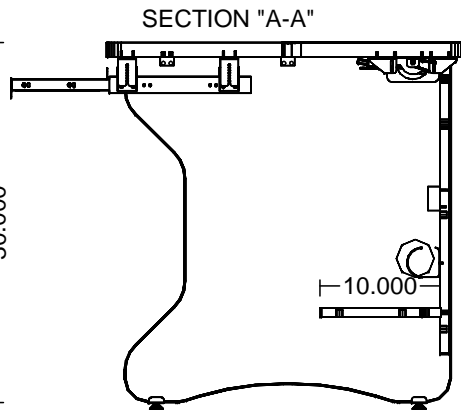
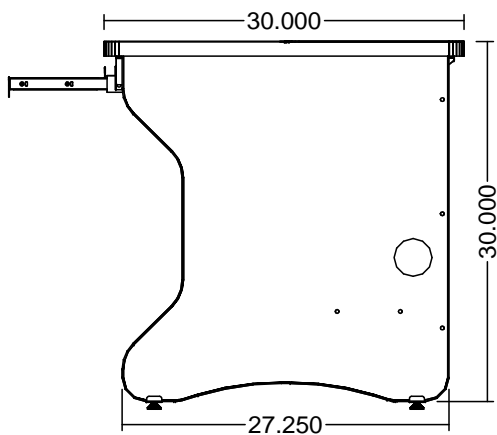
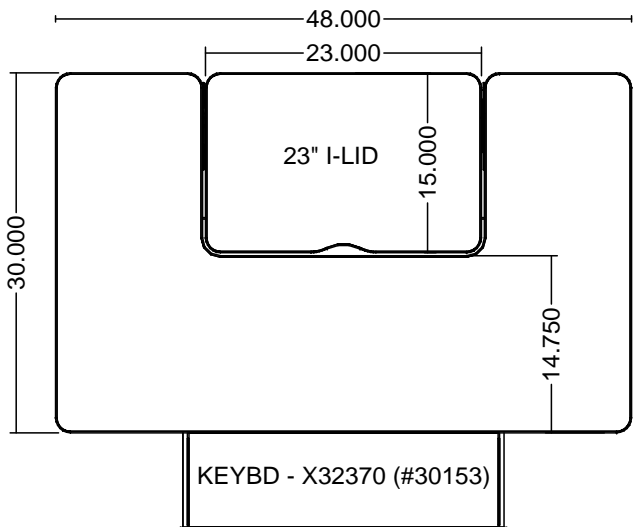
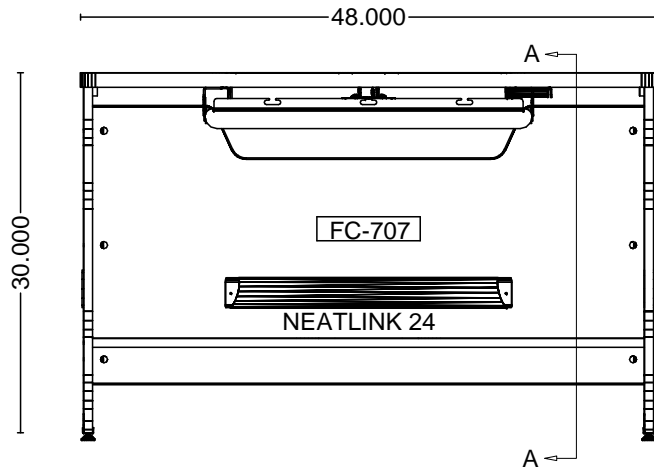
DRAWING NO.
PO# 9636

REV.

MATERIAL:

FINISH:

EDGE:



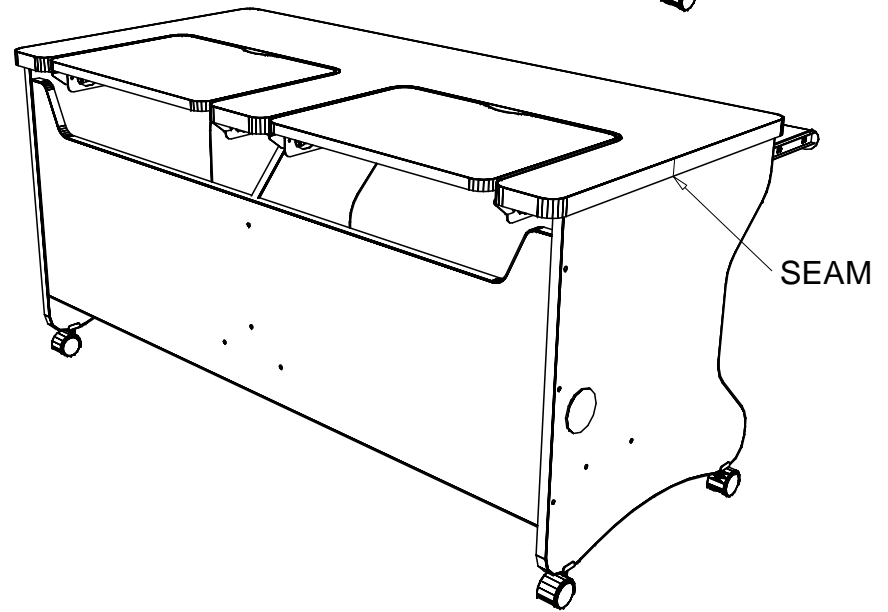
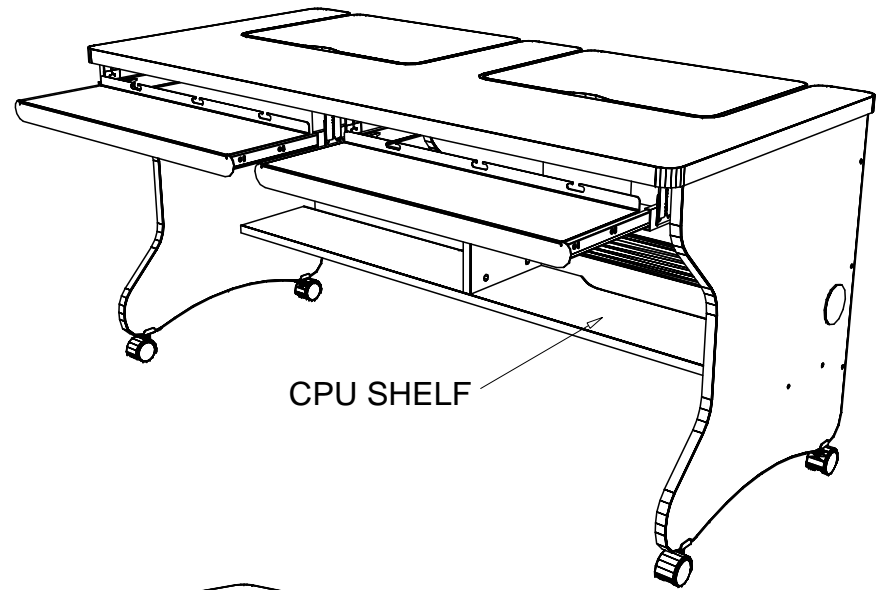
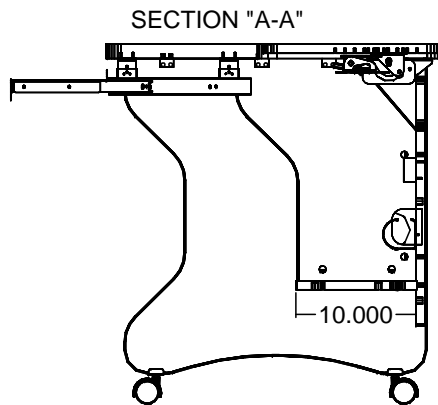
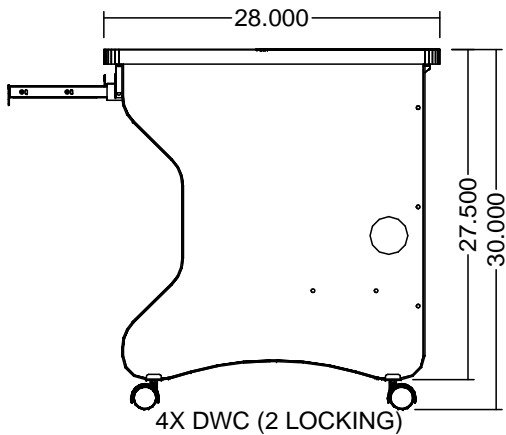
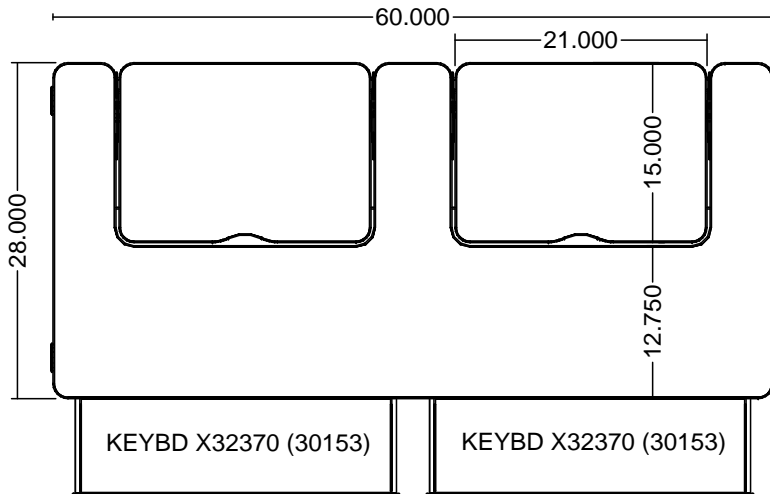
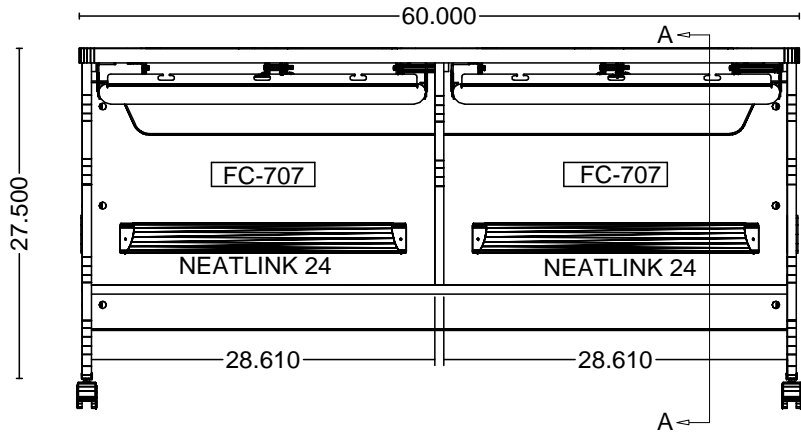
REVISIONS				TOLERANCES	PART NAME	
SYM	DATE	BY	DESCRIPTION	UNLESS SPECIFIED OTHERWISE	SID-483030-I23	
				DECIMALS	DATE:	DRWN BY:
				.X : —	SCALE:	CAD NO.:
				.XX : —	CHK'D BY:	CNC NO.:
				.XXX : —	NOTICE: This drawing is the property of GBT Supply, Inc. dba SMARTdesks and contains proprietary information that is not to be used except in the consideration of bids or proposals tendered herewith. Reproductions or copying of the drawing, in whole or in part, is prohibited.	
				ANGLE : —	PRODUCT GROUP	DRAWING NO.
					800.770.7042	PO# 9968
					www.Smartdesks.com	REV.



800.770.7042
www.Smartdesks.com

DRAWING NO.
PO# 9968

MATERIAL:
 FINISH:
 EDGE:

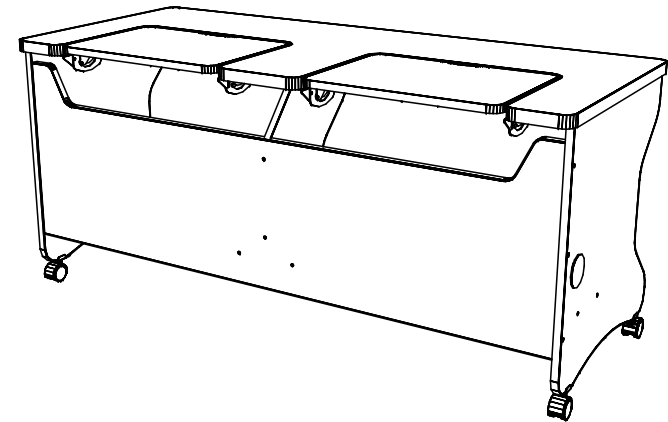
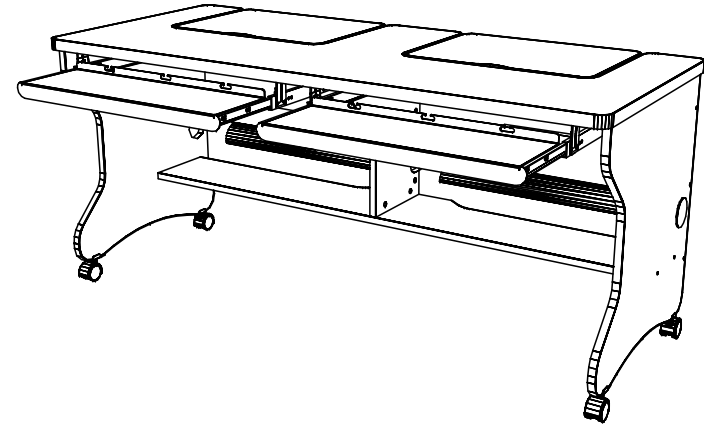
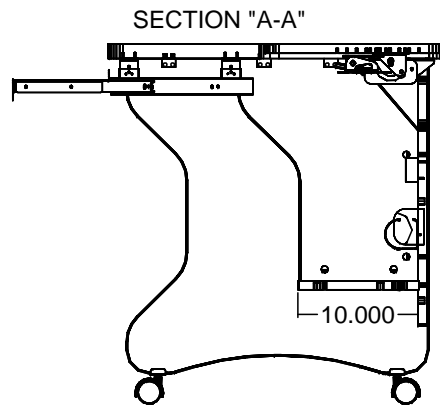
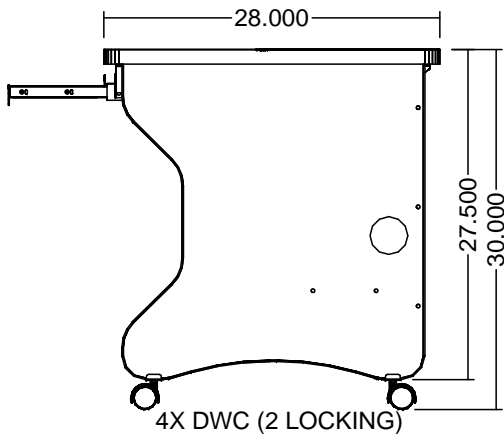
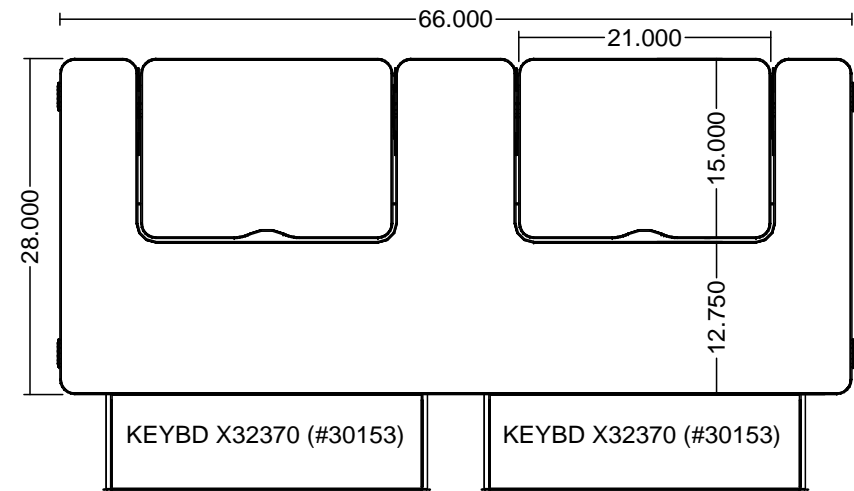
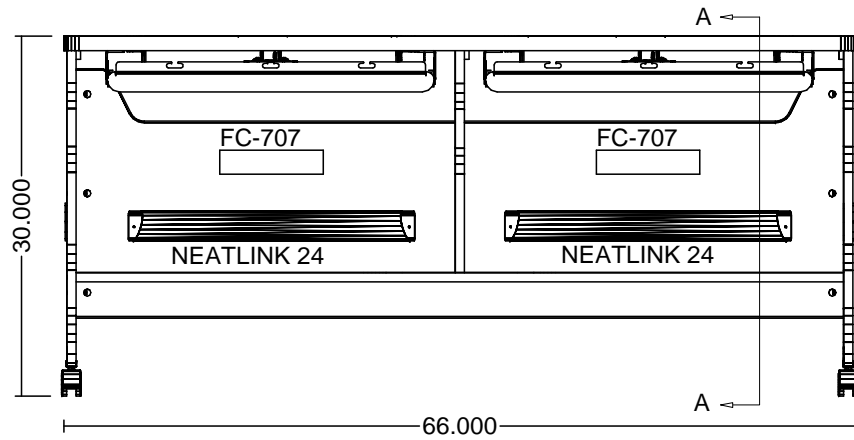


REVISIONS				TOLERANCES	PART NAME
SYM	DATE	BY	DESCRIPTION	UNLESS SPECIFIED OTHERWISE DECIMALS	DID-602830-I21-LC
					DATE: _____ SCALE: _____ CHK'D BY: _____
					DRWN BY: _____ CAD NO. _____ CNC NO. _____
					NOTICE: This drawing is the property of GBT Supply, Inc. dba SMARTdesks and contains proprietary information that is not to be used except in the consideration of bids or proposals tendered herewith. Reproductions or copying of the drawing, in whole or in part, is prohibited.
					PRODUCT GROUP: SMARTDESKS™ where design meets technology™ 800.770.7042 www.Smartdesks.com
					DRAWING NO. PO# 10095
					REV. _____

MATERIAL:

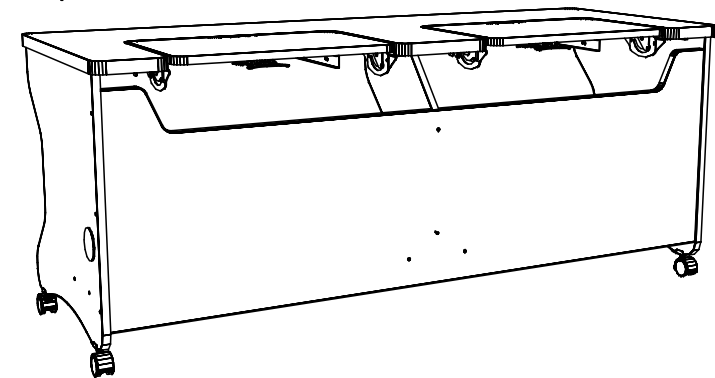
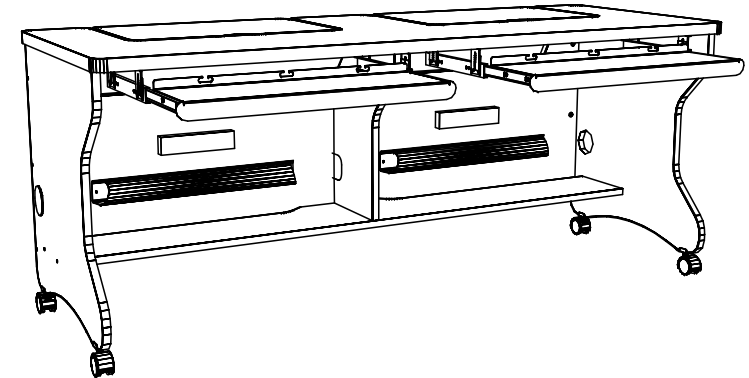
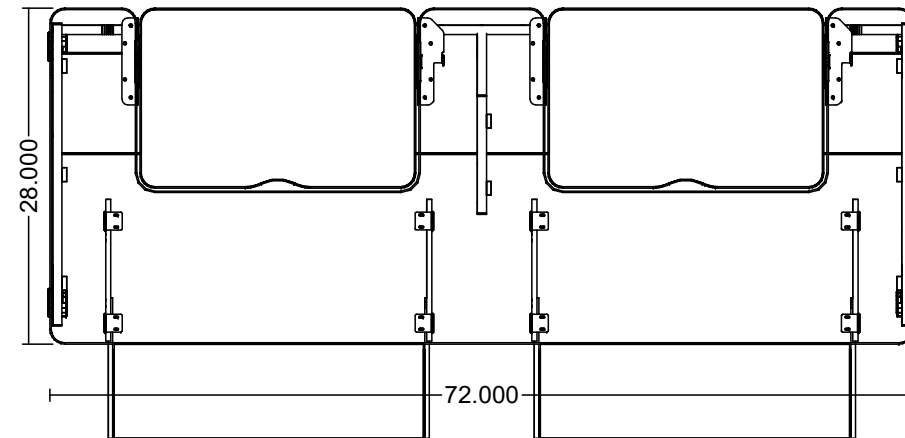
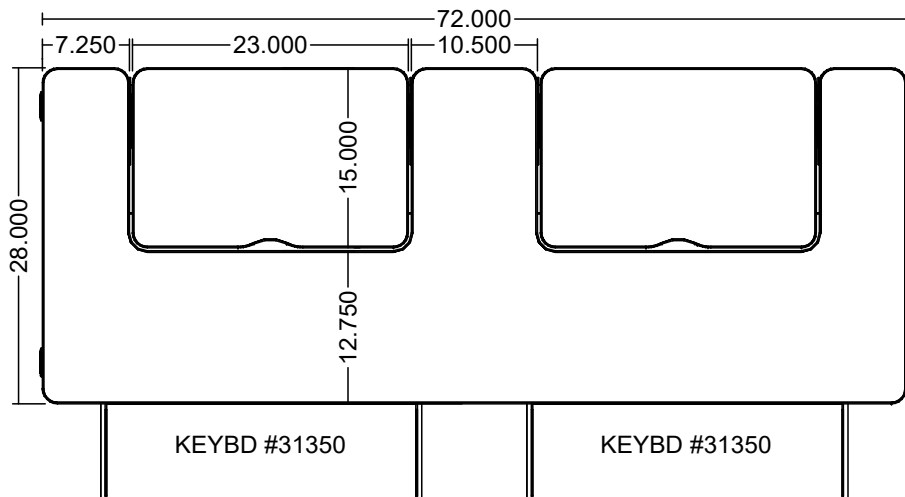
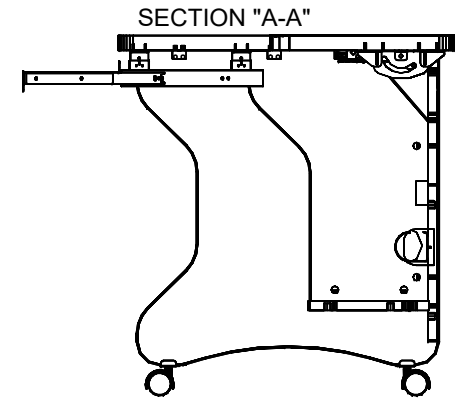
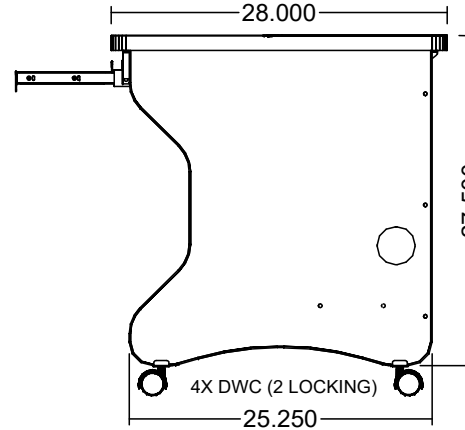
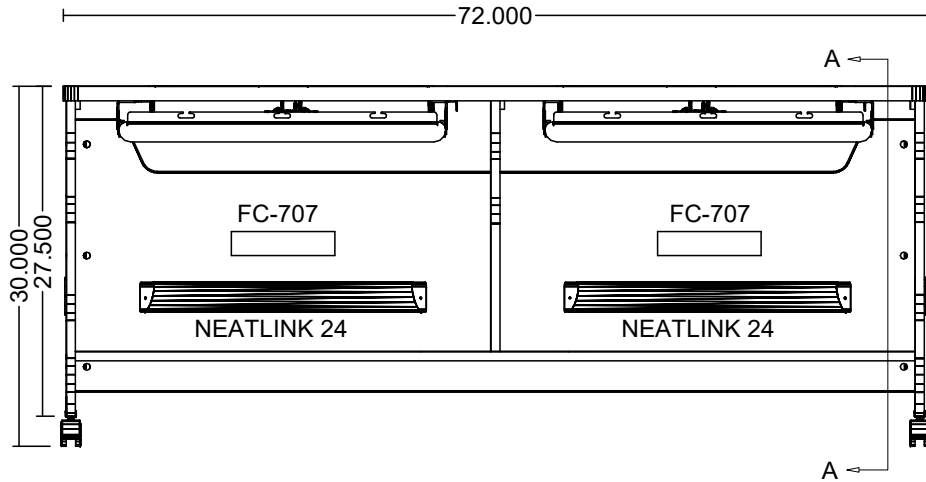
FINISH:

EDGE:



REVISIONS				TOLERANCES	PART NAME		
SYM	DATE	BY	DESCRIPTION	UNLESS SPECIFIED OTHERWISE DECIMALS	DID-662830-I21-LC		
				.X : —	DATE:	DRWN BY:	
				.XX : —	SCALE:	CAD NO.	
				.XXX : —	CHK'D BY:	CNC NO.	
				ANGLE : —	NOTICE: This drawing is the property of GBT Supply, Inc. dba SmartDesks and contains proprietary information that is not to be used except in the consideration of bids or proposals tendered herewith. Reproductions or copying of the drawing, in whole or in part, is prohibited.		
						800.770.7042 www.Smartdesks.com	PRODUCT GROUP
						DRAWING NO. PO# 9962	REV.

MATERIAL:
 FINISH:
 EDGE:



REVISIONS			
SYM	DATE	BY	DESCRIPTION

TOLERANCES UNLESS SPECIFIED OTHERWISE	
DECIMALS	
.X	: —
.XX	: —
.XXX	: —
ANGLE	: —

PART NAME DID-722830-I23	
DATE:	DRWN BY:
SCALE:	CAD NO.:
CHK'D BY:	CNC NO.:
NOTICE: This drawing is the property of CBT Supply, Inc. dba SmartDesks and containing proprietary information that is not to be used except in the consideration of bids or proposals tendered herewith. Reproductions or copying of the drawing, in whole or in part, is prohibited.	


 where design meets technology™
 800.770.7042
 www.Smartdesks.com
 PRODUCT GROUP
 DRAWING NO.
PO# 10701
 REV.