

iLid® DUO Flip Screen Desk S P E C I F I C A T I O N S

SKU: PL-SID-DUO

The dual-monitor version of our iLid computer desk, this model is built to feature two monitors for a single user. Our patented iLid design is as easy to open as a laptop, but features your two LCD monitors inside. The CPU is housed on a convenient shelf, off of the floor. Wire management is conducted through the base with two 80mm pass-through grommets and a pair of NeatLinks wire management channels. A power strip provides 3 110VAC outlets and 1 USB power for charging devices. Choose laminate top, semi-rigid PVC edgebanding and base panels to complement any interior design.

Specifications:

- iLid monitor mechanism for two monitors (friction hinge holds monitor at desired angle up to 120 degrees, maximum monitor size 23" w x 16" h each; 47" total width)
- One ultra compact keyboard/mouse tray (28" wide, mousing surface on left and right, 11" track, height adjustable)
- 10" rear shelf under desk (includes one PD-FC707 power strip with 3 power outlets, 1 powered USB port for charging devices, 12 AMP rating with 10' 14-3 power cord with right angle plug)
- Two 24" Neat Links wire management channels, 80mm side access grommets
- Top surface finished with high-pressure laminate, base finished in melamine, PVC edge trim (semi-rigid), iLid top matches top.
- Design includes contoured, arched side panels and radius corners; includes 1" levelers
- 60" w x 28" d x 30" h

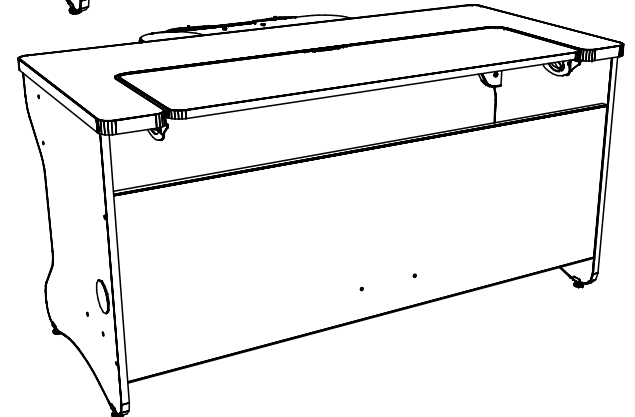
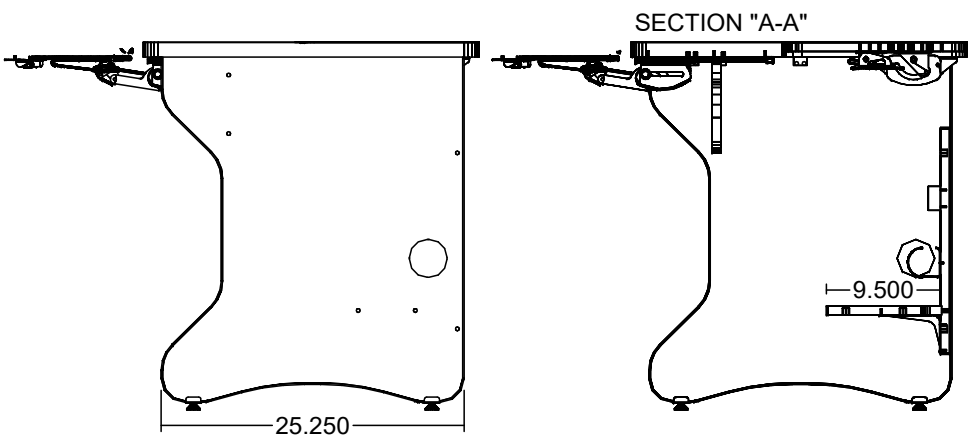
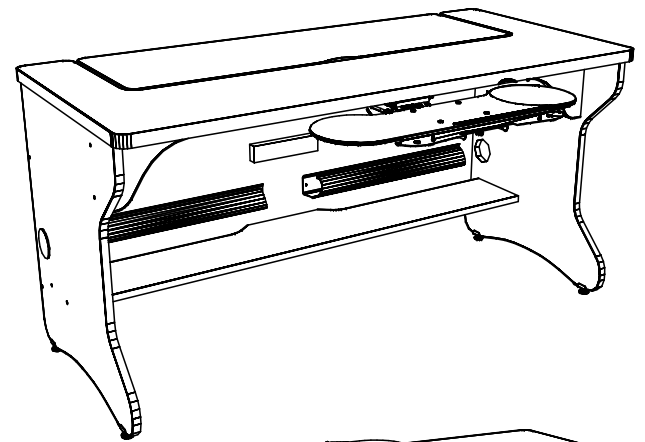
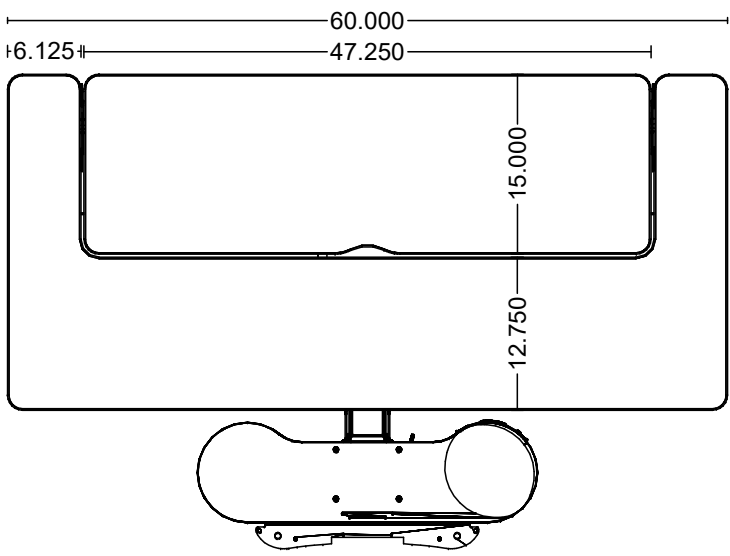
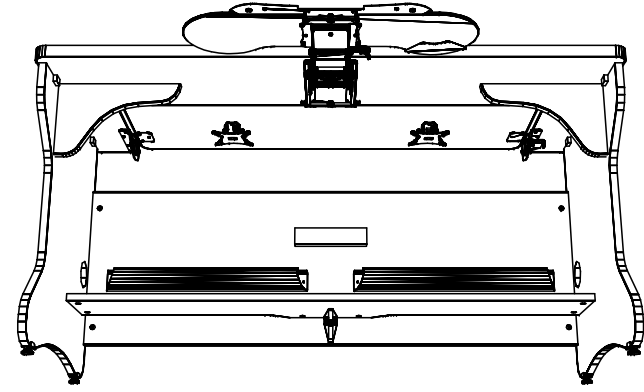
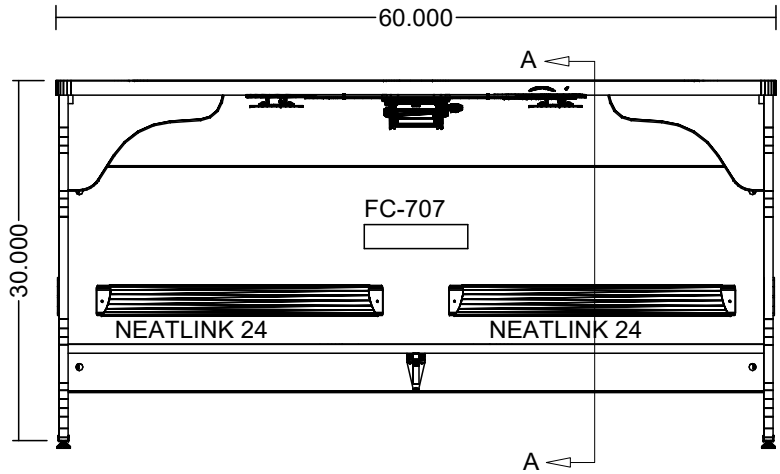


800 770 7042 | www.smartdesks.com



where design meets technologysm

MATERIAL:
 FINISH:
 EDGE:



REVISIONS				TOLERANCES	PART NAME	
SYM	DATE	BY	DESCRIPTION	UNLESS SPECIFIED OTHERWISE	SID-602830-I48	
				DECIMALS	DATE:	DRWN BY:
				.X	SCALE:	CAD NO.
				.XX	CHK'D BY:	CNC NO.
				.XXX	NOTICE: This drawing is the property of GBT Supply, Inc. dba SMARTdesks and contains proprietary information that is not to be used except in the consideration of bids or proposals tendered herewith. Reproductions or copying of the drawing, in whole or in part, is prohibited.	
				ANGLE	PRODUCT GROUP	
					DRAWING NO. PO# 10571	
					REV.	

