



Flip Computer Tables

Specifications

iLid monitor mechanism (friction hinge holds monitor at desired angle up to 120 degrees, maximum monitor size 21" w x 16" h); 10.75" usable desk space in front of iLid; available with keyboard storage tray (store keyboard inside when not in use, 21.5" x 7") or retractable 26" x 8" keyboard/mouse tray; two coped joint C-shaped, tubular, steel legs with vertical wire chase (2" diameter, 14 gauge), black powder coat finish and black nylon ball nose end caps, 1" levelers; includes PD-FC707 power strip with 3 power outlets, 1 powered USB port for charging devices, 12 AMP rating with 10' 14-3 power cord with right angle plug; 24" Neat Links wire management channel; user table dimensions: 36" w x 26" d x 29" h. Double: 72" w x 26" d x 29" h. Casters are optional. Available in 3D thermofoil with matching iLid, or high pressure laminate with 3mm PVC edge, iLid matches top. CPU holder is optional, order separately.

SIT-362629-I21-L (storage tray, glides)
with optional EZ-Cinch™ CPU holder



Single iLid Table 3D thermofoil, matching iLid

- SIT-362629-I21-F (storage tray, glides)
- SIT-362629-I21-LC-F (storage tray, locking casters)
- SIT-362630-I21-F (retractable key tray, glides)
- SIT-362630-I21-LC-F (ret. key tray, locking casters)

HPL, 3mm PVC edge trim, black iLid.

- SIT-362629-I21-L (storage tray, glides)
- SIT-362629-I21-L (storage tray, locking casters)
- SIT-362630-I21-L (retractable key tray, glides)
- SIT-362630-I21-LC-L (ret. key tray, locking casters)



DIT-722629-I21-L (storage tray, glides)
with optional EZ-Cinch™ CPU holder

Double iLid Table 3D thermofoil, matching iLid

- DIT-722629-I21-F (storage tray, glides)
- SDT-722629-I21-LC-F (storage tray, locking casters)
- DIT-722630-I21-F (retractable key tray, glides)
- DIT-722630-I21-LC-F (ret. key tray, locking casters)

HPL, 3mm PVC edge trim, black iLid.

- DIT-722629-I21-L (storage tray, glides)
- DIT-722629-I21-L (storage tray, locking casters)
- DIT-722630-I21-L (retractable key tray, glides)
- DIT-722630-I21-LC-L (ret. key tray, locking casters)

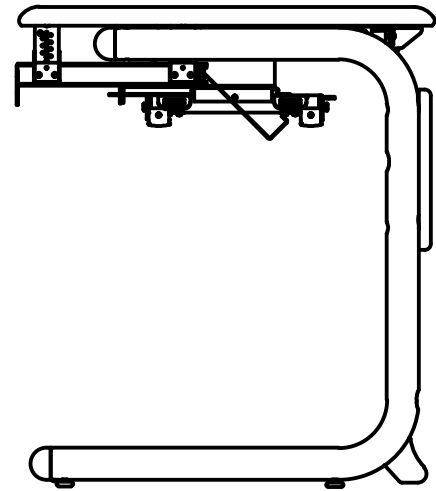
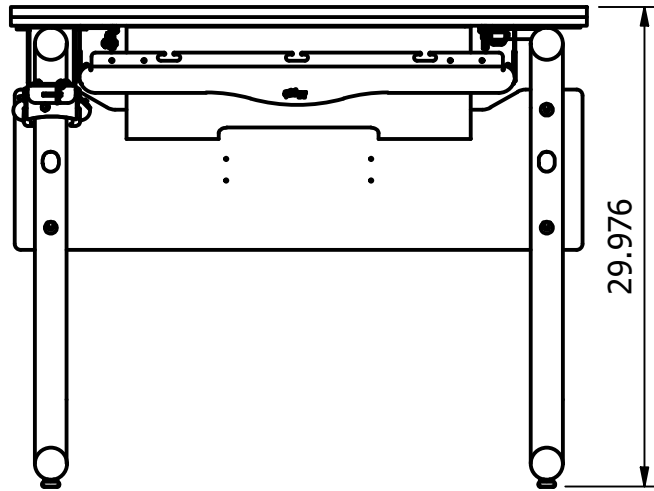
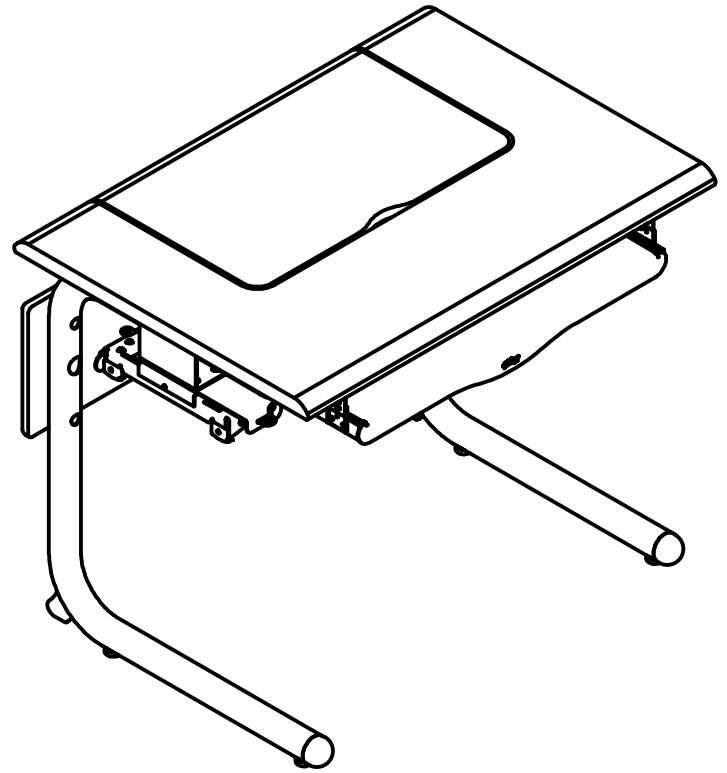
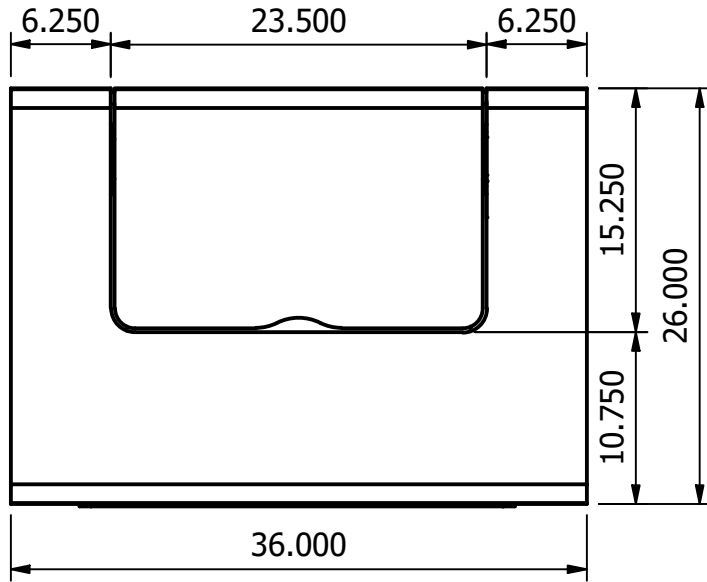
800 770 7042
www.smartdesks.com



where design meets technologySM

Tolerances:
 X/X=± 1/16 .XX=±.03 .XXX=±.015 ANGLES=± 1°

Rev	Date	Init	Description of change
-----	------	------	-----------------------



Mat'l:



SMARTDesks
 42F Maple Terrace
 Hibernia, N.J. 07842
 800.770.7042
SMARTdesks.com

P/N: SIT-362629-123

Desc: SINGLE WORKSTATION

Dsgnr: RD LAMPKIN

Date: 11/1/2011

Dwg by: RLAMPKIN

Date: 4/9/2019

Dwg no:

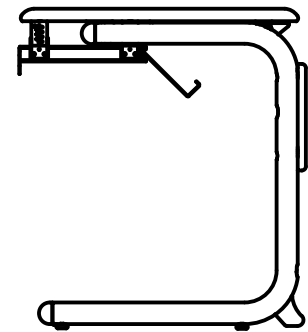
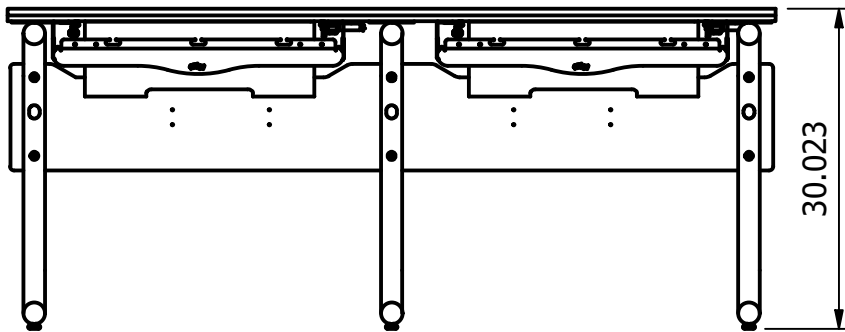
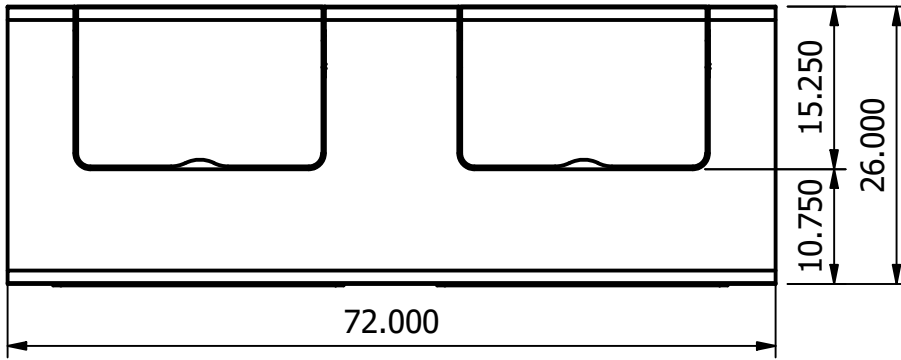
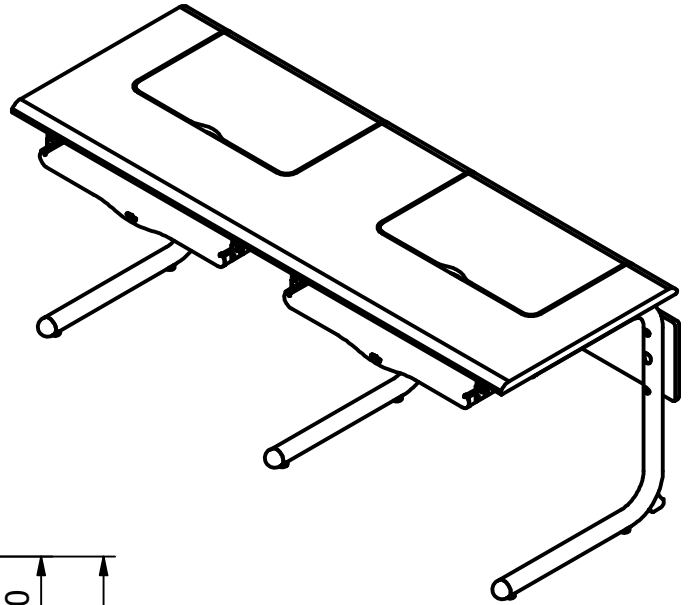
Sheet

SIT-362629-123 SPEC

1 of 1

Tolerances:
 X/X=± 1/16 .XX=± .03 .XXX=± .015 ANGLES=± 1°

Rev	Date	Init	Description of change
-----	------	------	-----------------------



Mat'l:



SMARTDesks
 42F Maple Terrace
 Hibernia, N.J. 07842
 800.770.7042
SMARTdesks.com

P/N: DIT-722629-123	
Desc: DUAL WORKSTATION	
Dsgnr: RD LAMPKIN	Date: 11/2/2011
Dwg by: RLAMPKIN	Date: 4/9/2019

DIT-722629-123 SPEC Sheet
1 of 1