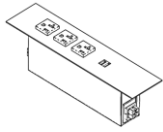


OASIS INSERT INSTALLATION

Components & Hardware



(A) Insert, Qty. 1



(B) Safety cover, Qty. 1
(42 system only)

Tools Needed

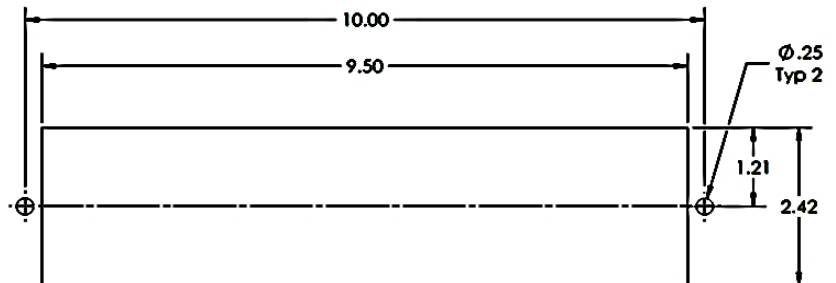


Note for system 42 inserts only: Use only System 42 Cables. System 42 connectors have been evaluated to prevent inadvertent contact with live parts. Connector openings are not required to be covered; however a cover is provided for use if desired, see number 4 below.

Note: A licensed electrician should make the hardwire connections. For use on dry work surfaces or furniture only. No serviceable parts, do not disassemble.

Installation Instructions:

1- Provide cutout as shown (Note: the same cutout is used for both Oasis Inserts). Oasis Insert is to be mounted perpendicular, or off angle to work surface, do not mount flat to work surface.

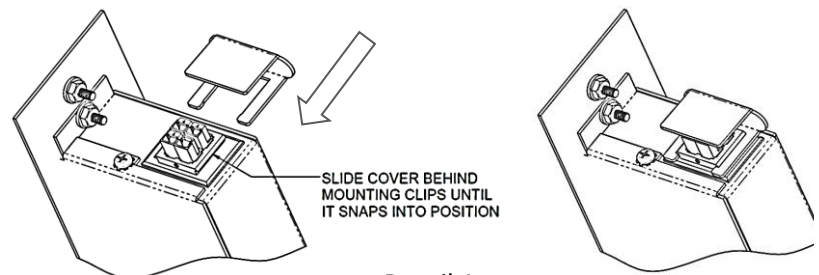
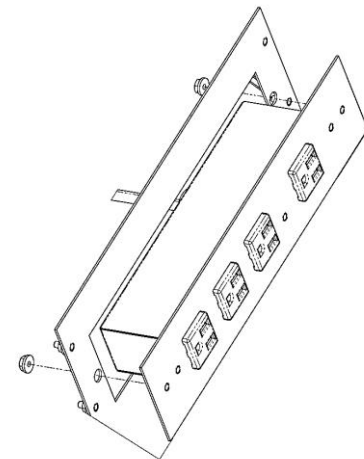


2- Place Oasis Insert (A) into cutout as shown and secure with provided nuts, as shown.

3- Make data connections if required. Plug in Oasis Insert as needed.

4- Slide safety cover (B) onto open male cable mount if desired, see Detail A.

5- Connections for hardwire units:
Black wire – circuit hot
White wire – circuit neutral
Green wire – circuit ground



Detail A