

# LOCI™ Computer Carrels



## Multi-Use Carrels

for study and testing, with options for use with computers, laptops, task lighting. Set up for use sitting or standing.

**SMARTDESKS®**

where design meets technology<sup>sm</sup>

# Loci™ Library Study Carrels

Multi-Height Setup Options— Endlessly Modular



This Loci™ Carrel with Add-On has flipIT® K19 Convertible LCD Workstation on left, shown in stowed position for use with textbooks; The same workstation is set at 36" standing height on the right side. The top shelf has been removed to allow room for the display.



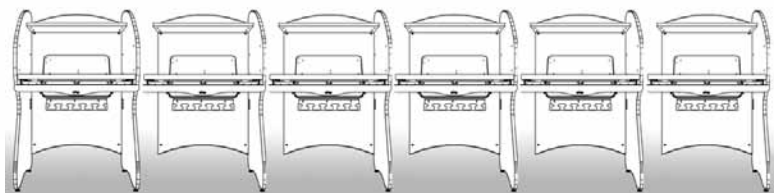
Set at 28" desktop height, this Loci™ with Add-On has a flipIT® L18 Laptop Safe on the left side and Le Grip™ CPU holder on the right side. The top shelf has been eliminated for use with the LCD on its own stand.



This Loci™ Carrel with Add-On is set for the flipIT® K19 LCD Convertible Workstation at 30" desktop height on the left, and flipIT® L18 Laptop Safe at 28" desktop height on the right side. Also available without flipIT® products.



Privacy that looks appealing. Loci's sweeping lines give flow to the arrangement in your space.



## Endlessly Modular Add-On Loci™ Carrels

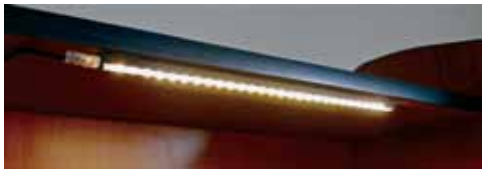
Start with a stand-alone Loci™ and string as many Add-On Loci™ as needed for optimum use of space. Add-Ons are available for both single row and back-to-back Loci™ Carrels. Mix and match your configurations as desired for standing height, keyboard height or laptop height—with or without flipIT® 18 Laptop Safe or K19 for LCD workstations.



The Loci™ Back-to-Back Carrel is available as a stand-alone, or with Add-Ons, as shown. The flowing lines of Loci™ give privacy a pleasing presence. The privacy end may face an aisle, a wall, or have a single-row stand alone to make use of the space.

### The Loci™ Back-to-Back Carrel with Add-On

is set at 30" desktop height, equipped with flipIT® K19 Convertible LCD Workstations. Each Loci™ desktop may be set at one of three heights: 28", 30" or 36", mixed or matched, with or without flipIT® products. Shown with LED task lighting option.



### LED Task Light Specifications

12 inch strip, 27 LEDs 2 watts each, transformer, switches and mounting clips matched to installation requirements.



LED Task lighting gives effective lighting control, economical power usage, and friendly to use with displays of all kinds.



Loci™ Back-to-Back Carrels with Add-On demonstrate flipIT® K19 Convertible Workstation set at 30" desktop height on left, and 36" standing height on right without flipIT®. Each carrel space may be setup to mix or match.

### Loci™ Carrels: General Specifications

Loci™ Carrel desktop is 26" deep and includes a wire management pass-through. The top shelf is 11" deep. Each carrel has one FC707 Power Supply with 3 power outlets and 1 powered USB Port for charging devices. Back panel has a WireWonder18 (17.625" long, rest transformers inside, wrap excess cable around mushroom posts). Wire management openings inside panels align with WireWonder18; surfaces finished with high-pressure laminate (or combination of laminate on horizontal surfaces, melamine on vertical surfaces) 3mm PVC edge trim. Desktop height repositionable for sitting or standing positions (28" and 30" for sitting, 36" for standing). Desktop height is determined and set at time of installation. Unit may be dis-assembled and reconfigured at different desktop height.



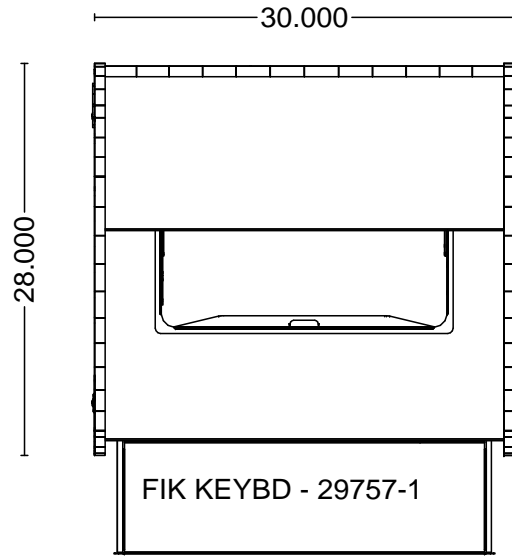
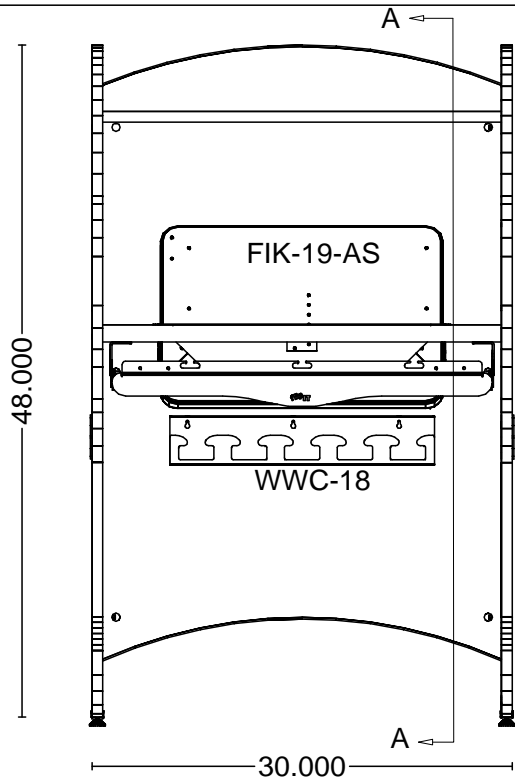
# Locī™ Computer Carrels



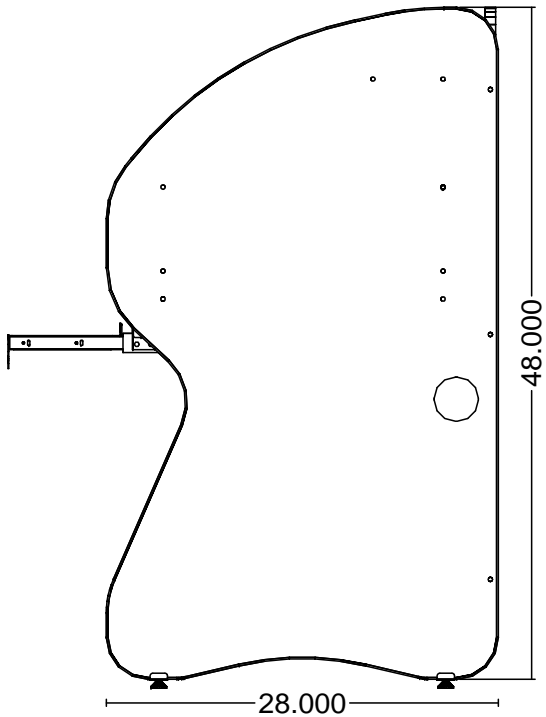
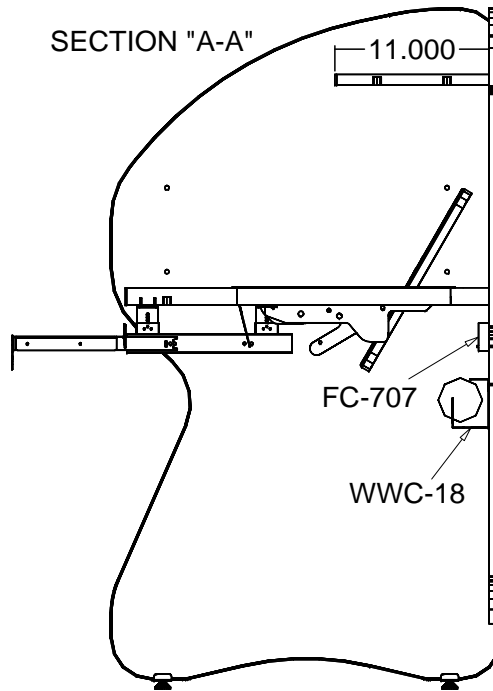
Privacy never looked so good.



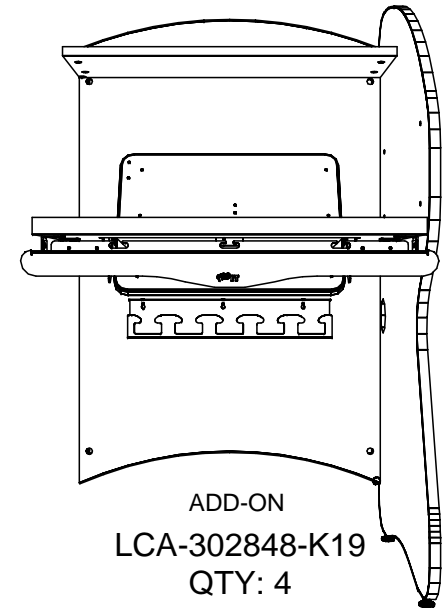
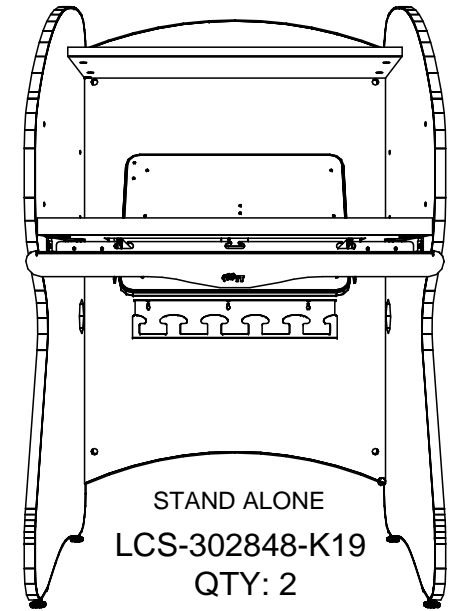
where design meets technology<sup>sm</sup>  
[www.smartdesks.com](http://www.smartdesks.com)



SECTION "A-A"



MATERIAL:  
FINISH:  
EDGE:



REVISIONS			
SYM	DATE	BY	DESCRIPTION

TOLERANCES	
UNLESS SPECIFIED OTHERWISE	DECIMALS
.X	
.XX	
.XXX	
ANGLE	

PART NAME	
LOCI 30" SINLGE FIK	
DATE:	DRWN BY:
SCALE:	CAD NO.:
CHK'D BY:	CNC NO.:
NOTICE: This drawing is the property of CBT Supply, Inc. dba SMARTdesks and containing proprietary information that is not to be used except in the consideration of bids or proposals tendered herewith. Reproductions or copying of the drawing, in whole or in part, is prohibited.	

**SMARTDESKS**  
where design meets technology™  
800.770.7042  
www.Smartdesks.com

PRODUCT GROUP  
DRAWING NO.  
PO# 7230

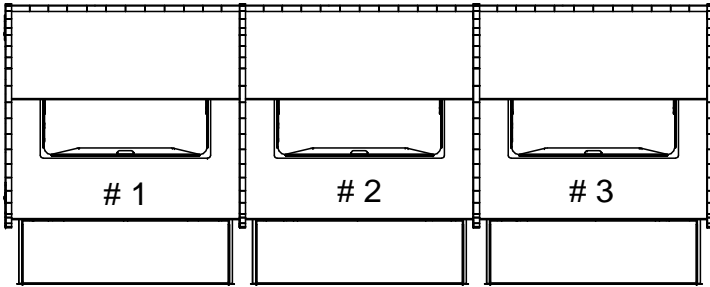
REV.

MATERIAL:  
 FINISH:  
 EDGE:

LCS-302848-K19

LCA-302848-K19

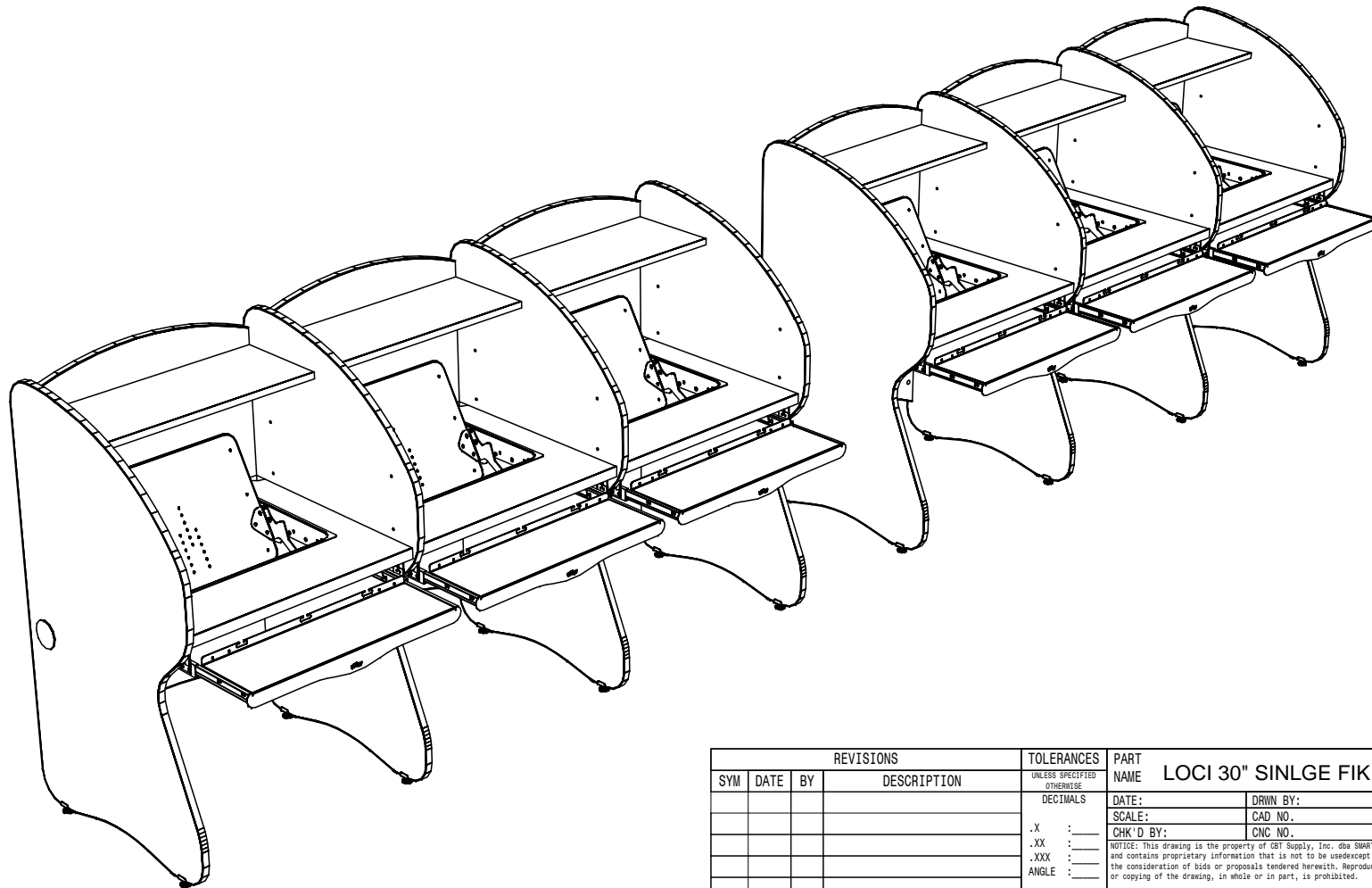
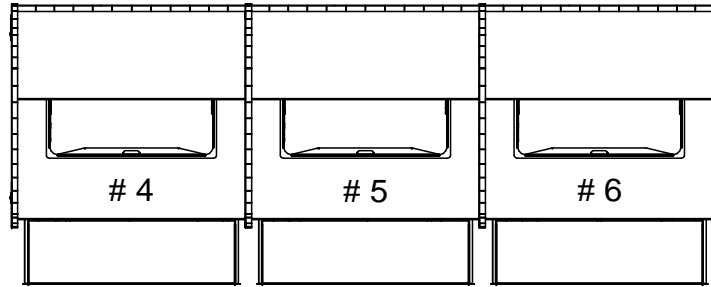
LCA-302848-K19



LCS-302848-K19

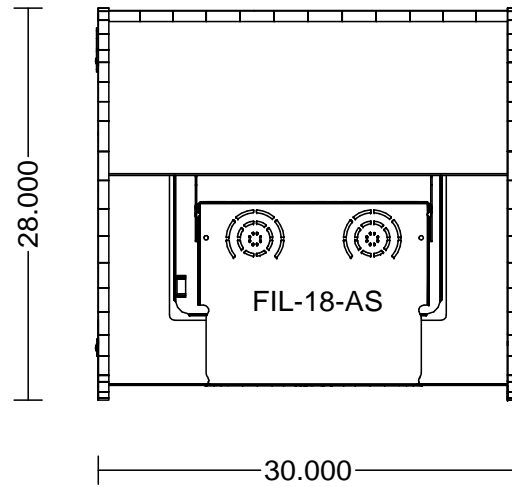
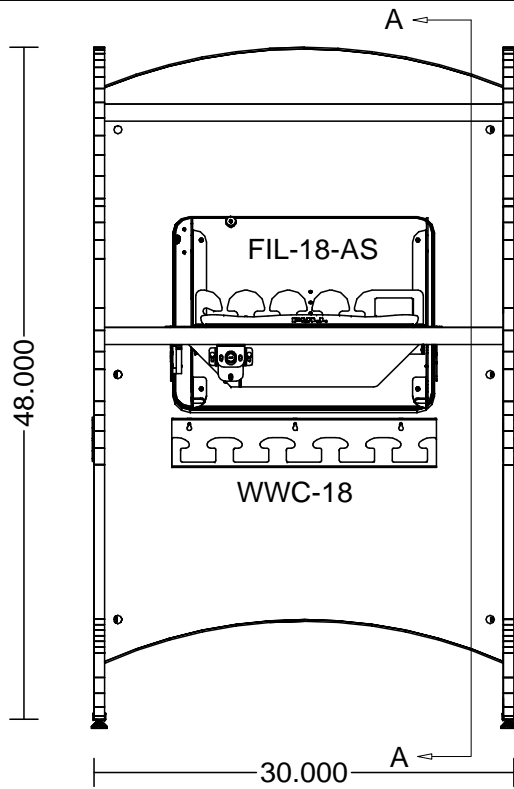
LCA-302848-K19

LCA-302848-K19

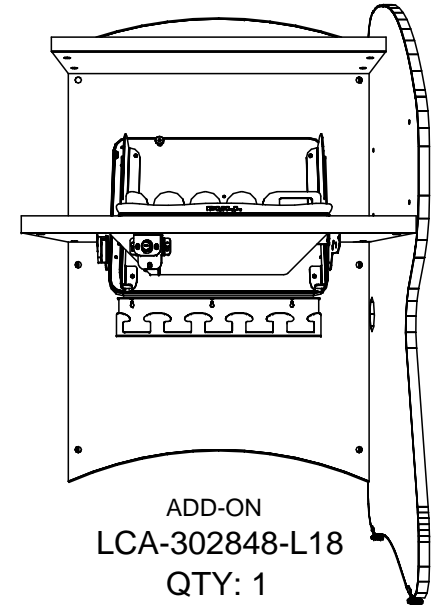
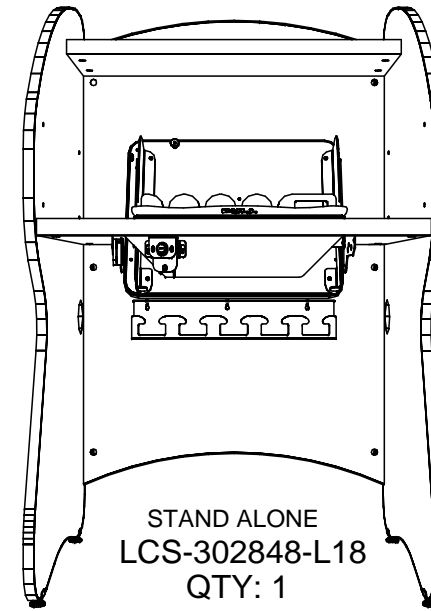
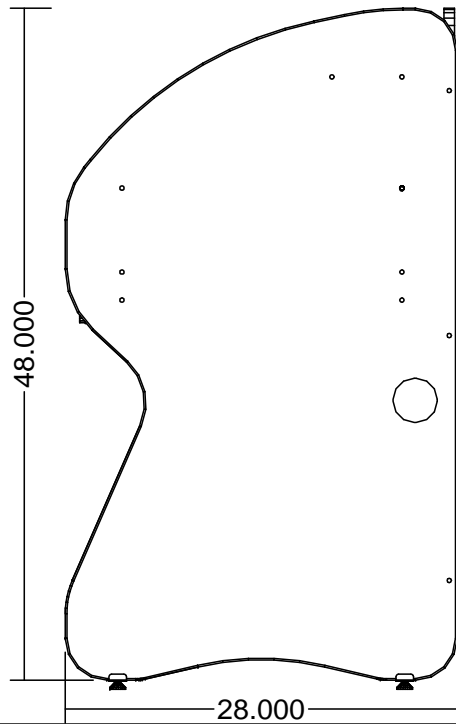
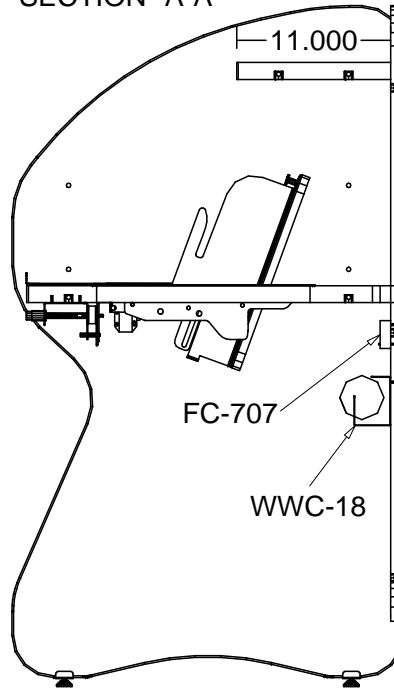


REVISIONS				TOLERANCES <small>UNLESS SPECIFIED OTHERWISE</small>	PART NAME LOCI 30" SINLGE FIK	DRAWN BY:
SYM	DATE	BY	DESCRIPTION			
				DECIMALS	DATE:	CAD NO.
				.X : —	SCALE:	CNC NO.
				.XX : —	CHK'D BY:	
				.XXX : —	NOTICE: This drawing is the property of GBT Supply, Inc. dba SMARTdesks and contains proprietary information that is not to be used except in the consideration of bids or proposals tendered herewith. Reproductions or copying of the drawing, in whole or in part, is prohibited.	
				ANGLE : —	PRODUCT GROUP	
DRAWING NO. PO# 7230						REV.





SECTION "A-A"



MATERIAL:
FINISH:
EDGE:

REVISIONS			
SYM	DATE	BY	DESCRIPTION

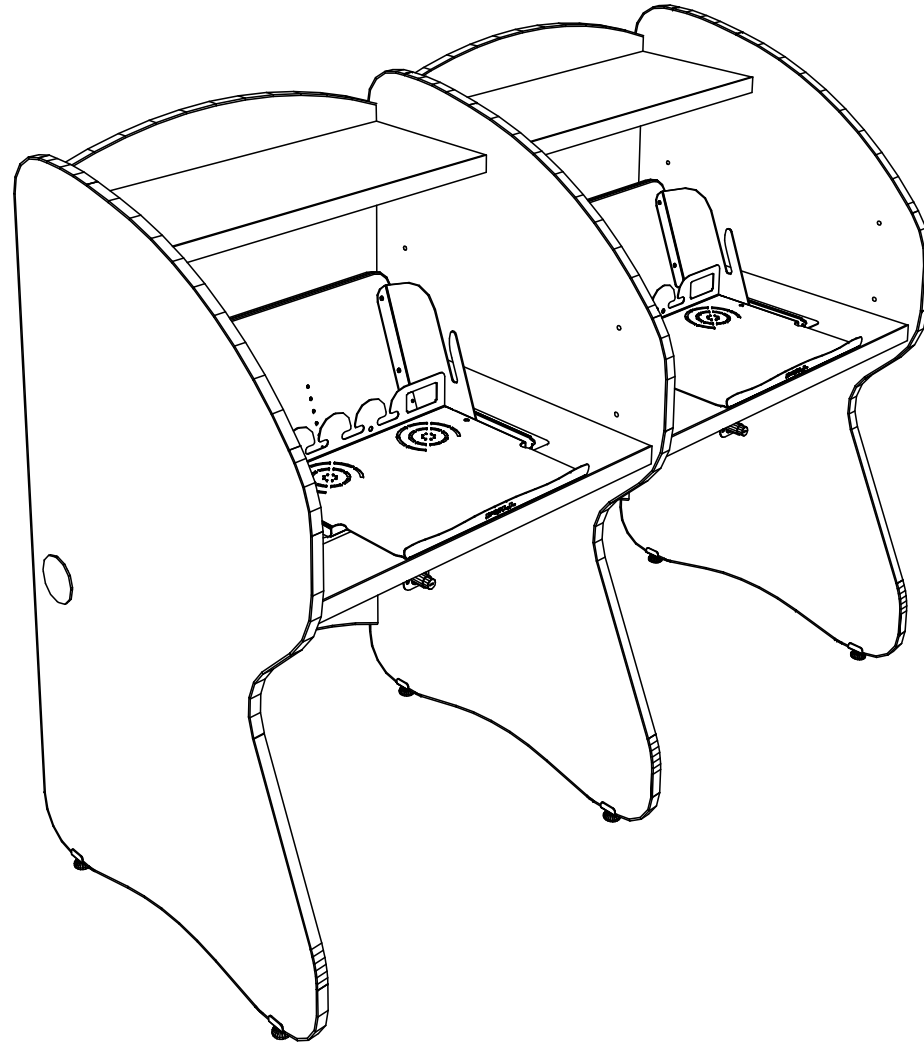
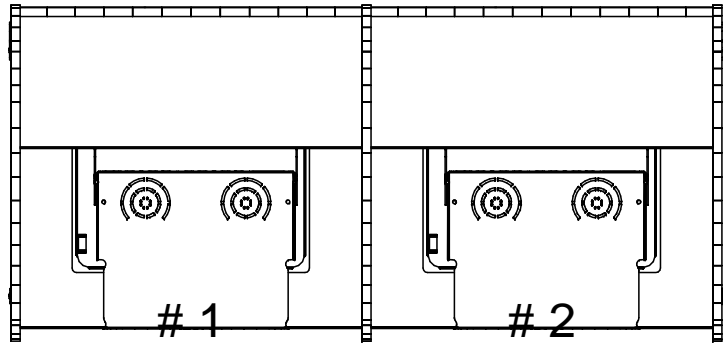
TOLERANCES
UNLESS SPECIFIED OTHERWISE
DECIMALS
.X : —
.XX : —
.XXX : —
ANGLE : —

PART NAME	LOCI 30" SINLGE FIL18
DATE:	DRWN BY:
SCALE:	CAD NO.:
CHK'D BY:	CNC NO.:
<small>NOTICE: This drawing is the property of CBT Supply, Inc. dba SMARTdesks and containing proprietary information that is not to be used except in the consideration of bids or proposals tendered herewith. Reproductions or copying of the drawing, in whole or in part, is prohibited.</small>	

 <small>where design meets technology™</small> 800.770.7042 <a href="http://www.Smartdesks.com">www.Smartdesks.com</a>	
<small>PRODUCT GROUP</small> DRAWING NO. <b>PO# 8332</b>	<small>REV.</small>

29.240 0.760 29.240

MATERIAL:  
FINISH:  
EDGE:



REVISIONS				TOLERANCES UNLESS SPECIFIED OTHERWISE DECIMALS	PART NAME LOCI 30" SINLGE FIL18	DATE:		DRWN BY:	
SYM	DATE	BY	DESCRIPTION			SCALE:	CAD NO.	CHK'D BY:	CNC NO.

NOTICE: This drawing is the property of GBT Supply, Inc. dba SMARTdesks and contains proprietary information that is not to be used except in the consideration of bids or proposals tendered herewith. Reproductions or copying of the drawing, in whole or in part, is prohibited.

**SMARTDESKS**  
where design meets technology™  
800.770.7042  
www.Smartdesks.com

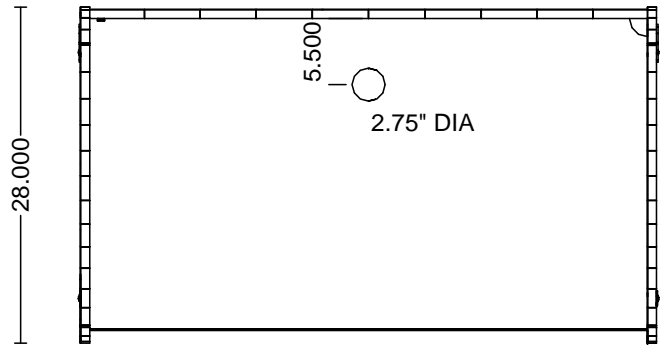
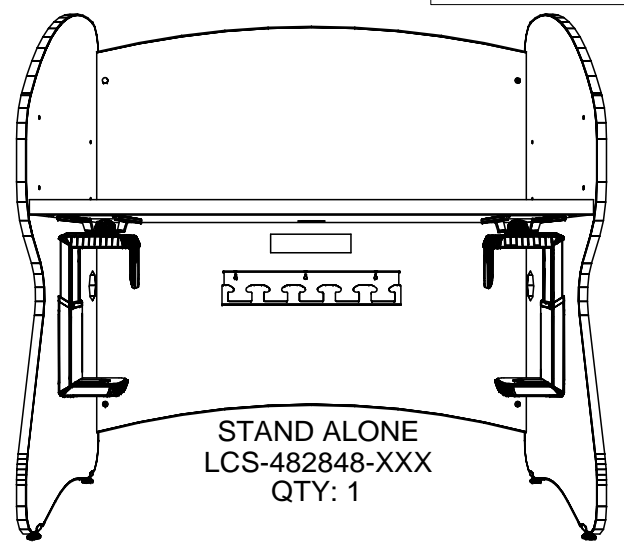
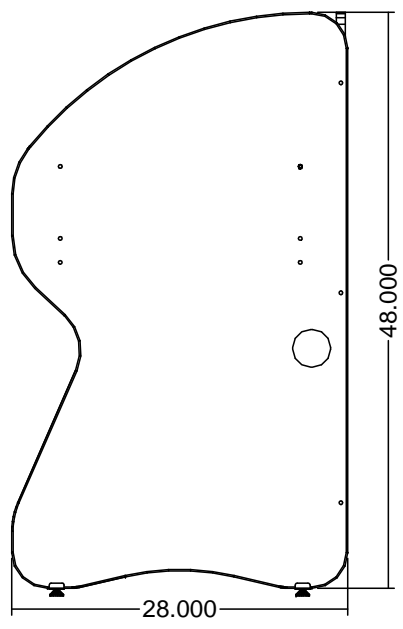
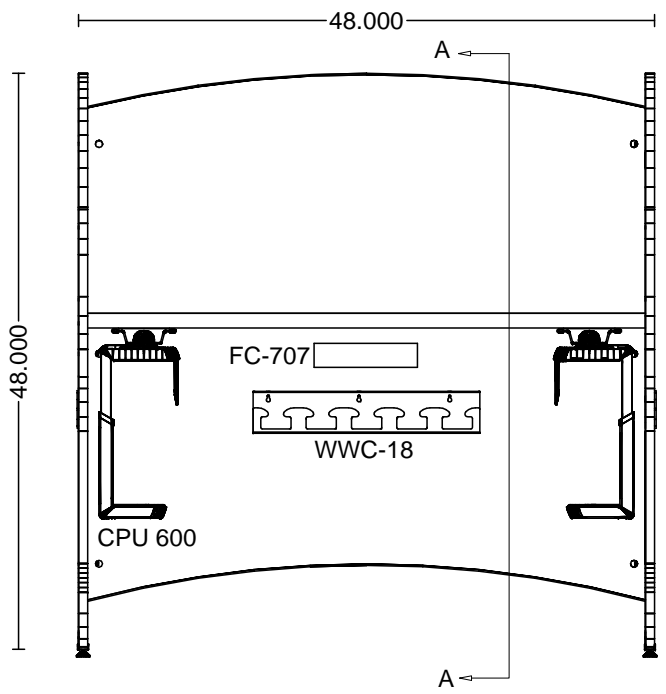
PRODUCT GROUP

DRAWING NO.  
**PO# 8332**

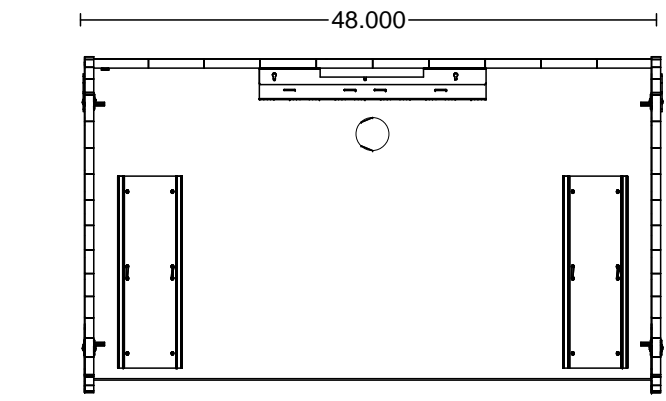
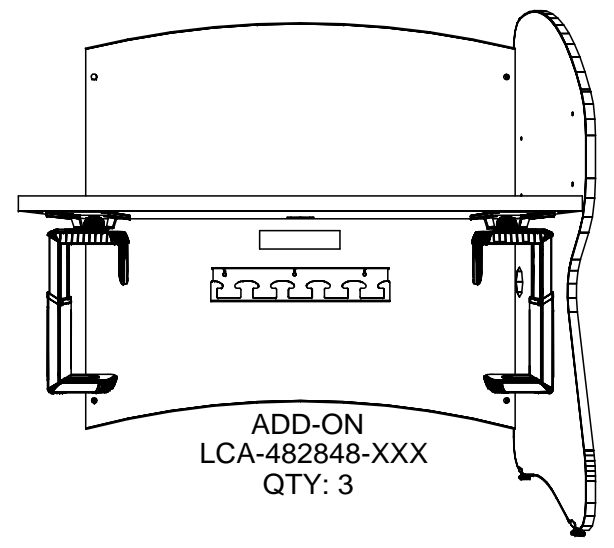
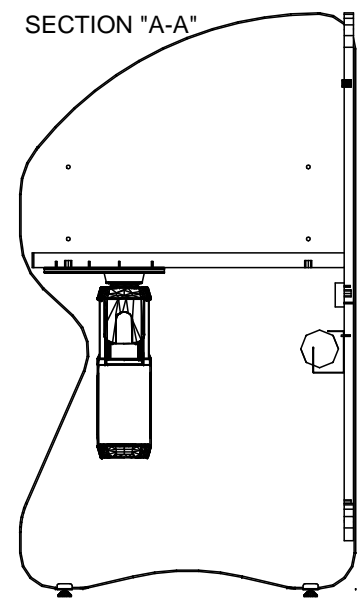
REV.



MATERIAL:  
 FINISH:  
 EDGE:



SECTION "A-A"



REVISIONS			
SYM	DATE	BY	DESCRIPTION

TOLERANCES UNLESS SPECIFIED OTHERWISE		PART NAME LOCI 48" SINGLE	
DECIMALS	DATE	DRWN BY:	
.X	SCALE:	CAD NO.	
.XX	CHK'D BY:	CNC NO.	
.XXX	NOTICE: This drawing is the property of CRT Supply, Inc. dba SMARTdesks and containing proprietary information that is not to be used except in the consideration of bids or proposals tendered herewith. Reproductions or copying of the drawing, in whole or in part, is prohibited.		
ANGLE			

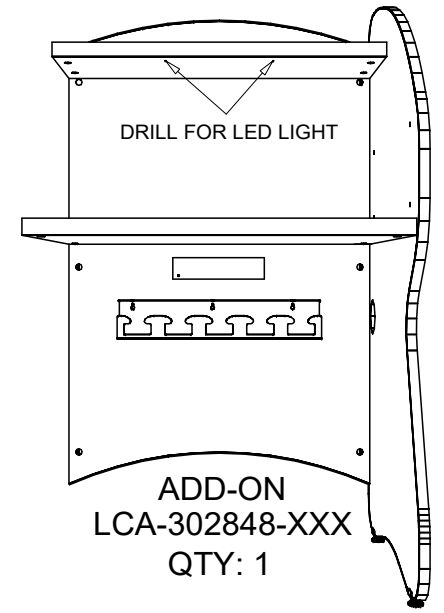
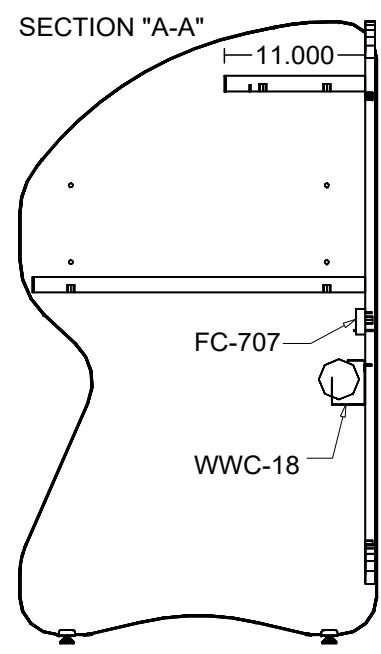
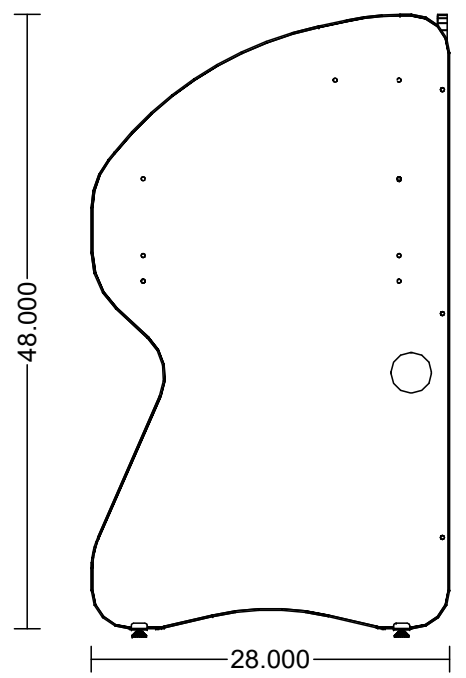
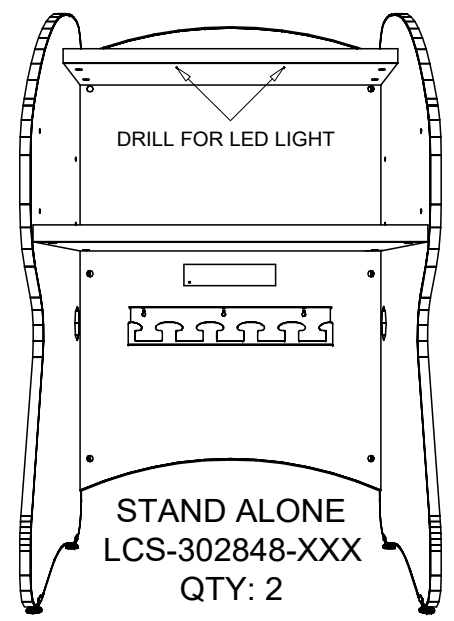
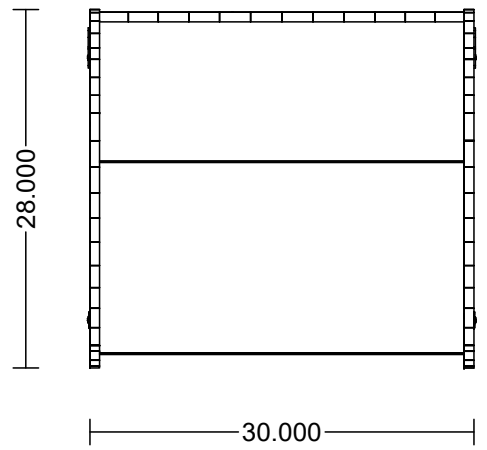
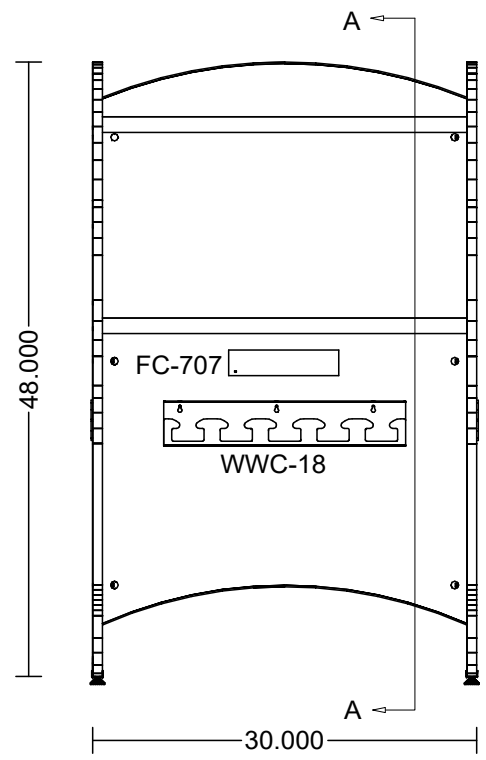
**SMARTDESKS**  
 where design meets technology™  
 800.770.7042  
 www.Smartdesks.com

PRODUCT GROUP

DRAWING NO.  
**PO# 9128-1**

REV.

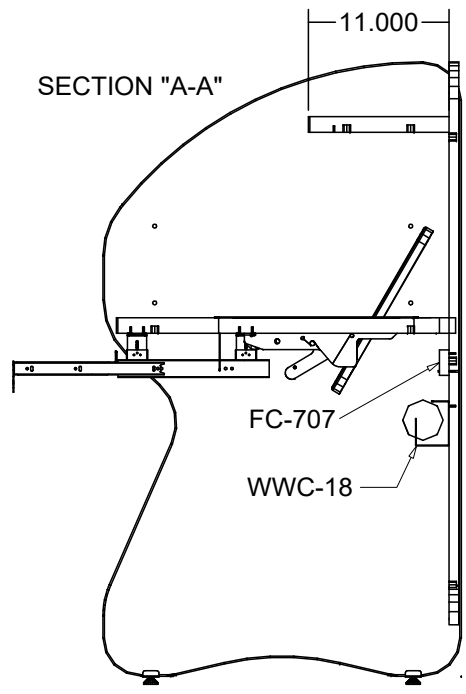
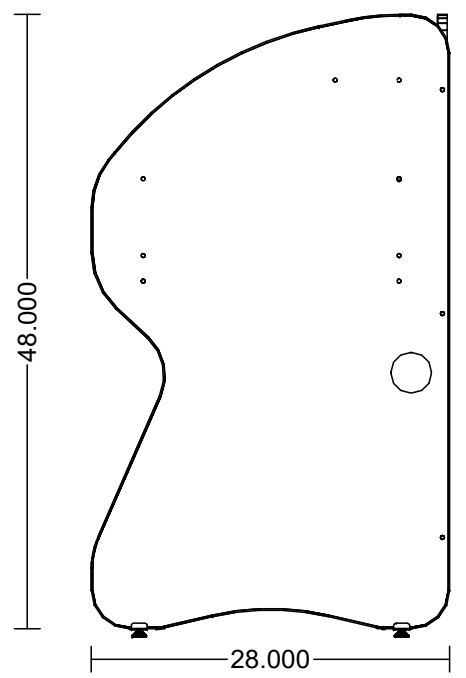
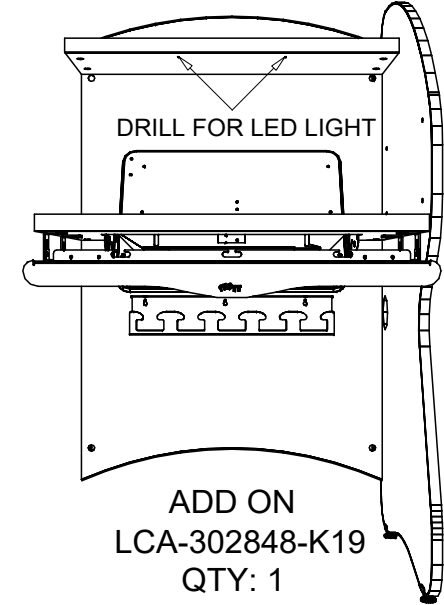
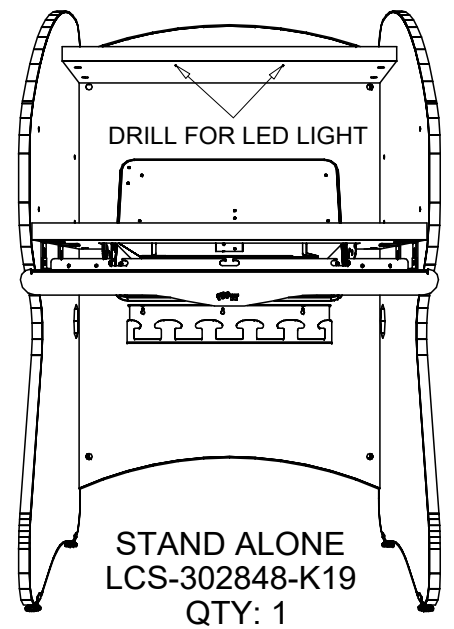
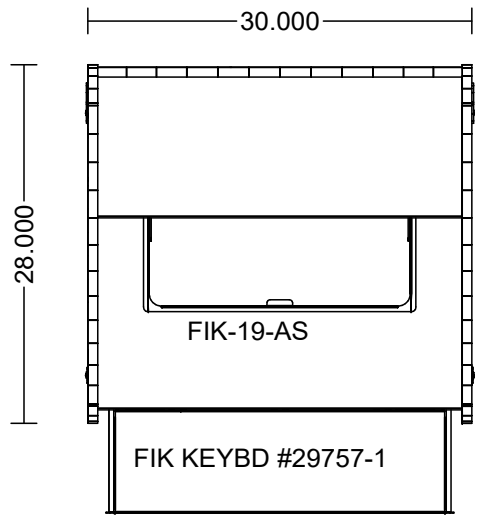
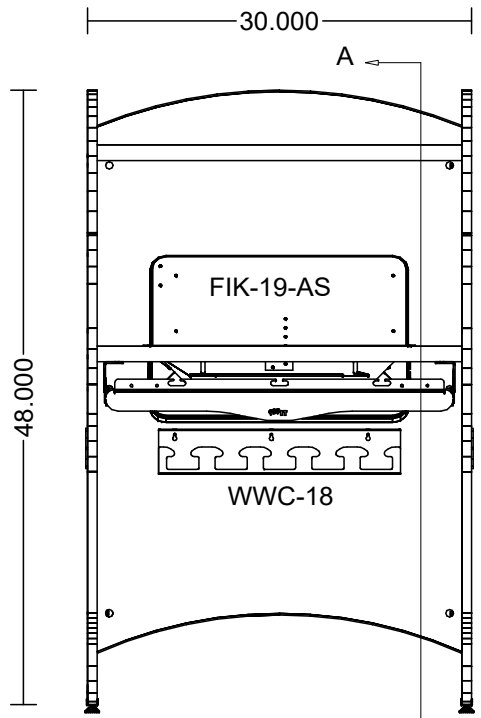
MATERIAL:  
 FINISH:  
 EDGE:



REVISIONS				TOLERANCES	PART NAME	
SYM	DATE	BY	DESCRIPTION	UNLESS SPECIFIED OTHERWISE	LOCI 30" SINGLE	
				DECIMALS	DATE:	DRWN BY:
				.X : ___	SCALE:	CAD NO.:
				.XX : ___	CHK'D BY:	CNC NO.:
				.XXX : ___	NOTICE: This drawing is the property of GBT Supply, Inc. dba SMARTdesks and contains proprietary information that is not to be used except in the consideration of bids or proposals tendered herewith. Reproductions or copying of the drawing, in whole or in part, is prohibited.	
				ANGLE : ___	PRODUCT GROUP	
					DRAWING NO. PO# 10682	
					REV.	



MATERIAL:  
 FINISH:  
 EDGE:



REVISIONS			
SYM	DATE	BY	DESCRIPTION

TOLERANCES	UNLESS SPECIFIED OTHERWISE
	DECIMALS
.X	: ___
.XX	: ___
.XXX	: ___
ANGLE	: ___

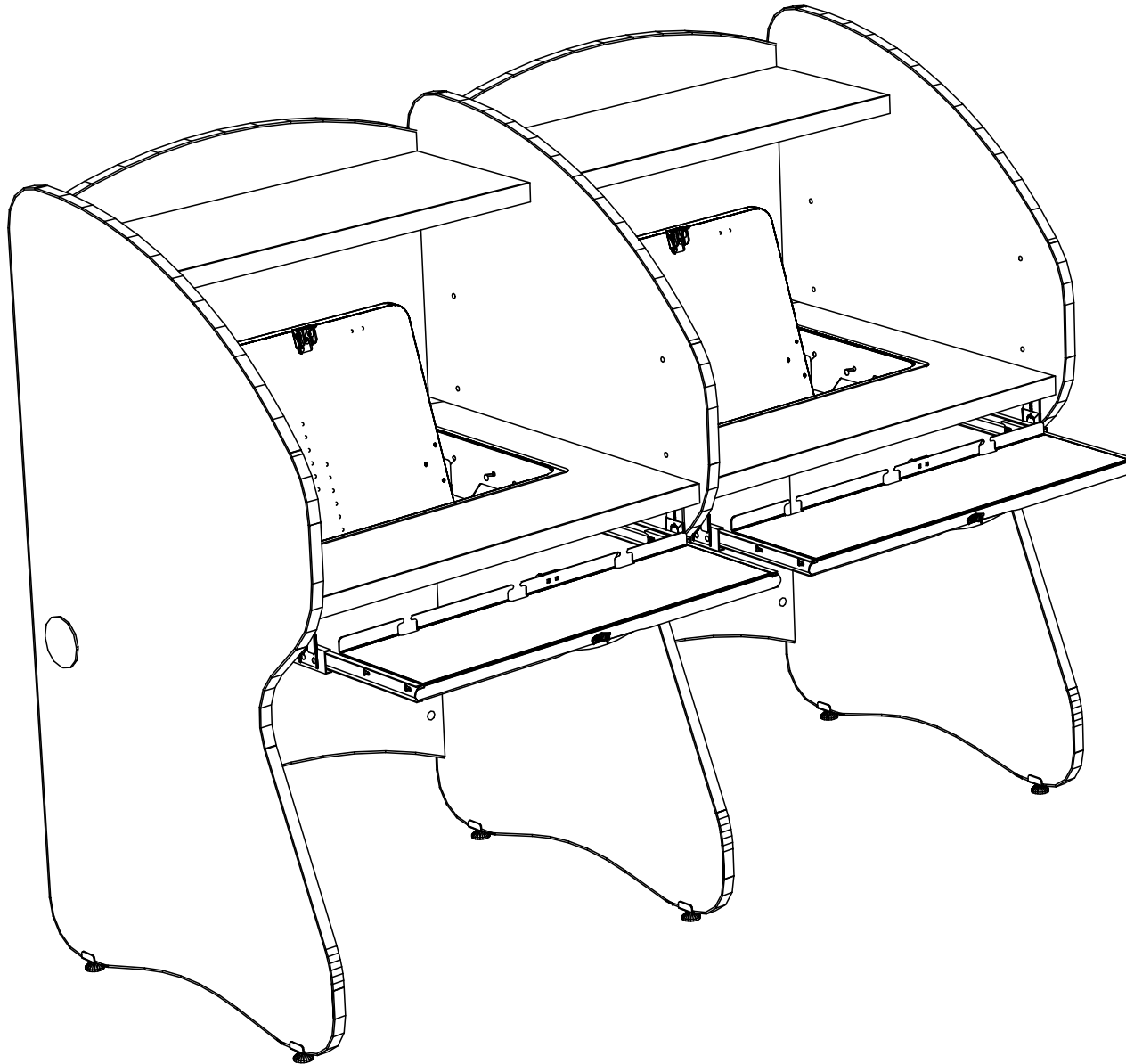
PART NAME	LOCI 30" SINGLE
DATE:	DRWN BY:
SCALE:	CAD NO.:
CHK'D BY:	CNC NO.:
NOTICE: This drawing is the property of CBT Supply, Inc. dba SMARTdesks and containing proprietary information that is not to be used except in the consideration of bids or proposals tendered herewith. Reproductions or copying of the drawing, in whole or in part, is prohibited.	

**SMARTDESKS**  
 where design meets technology™  
 800.770.7042  
 www.Smartdesks.com

PRODUCT GROUP

DRAWING NO. PO# 11201	REV.
--------------------------	------

MATERIAL:  
 FINISH:  
 EDGE:



REVISIONS				TOLERANCES UNLESS SPECIFIED OTHERWISE DECIMALS	PART NAME	LOCI CARRELS	
SYM	DATE	BY	DESCRIPTION			DATE:	DRWN BY:
				.X : ___	SCALE:	CAD NO.	
				.XX : ___	CHK'D BY:	CNC NO.	
				.XXX : ___	NOTICE: This drawing is the property of CRT Supply, Inc. dba SMARTdesks and containing proprietary information that is not to be used except in the consideration of bids or proposals tendered herewith. Reproductions or copying of the drawing, in whole or in part, is prohibited.		
				ANGLE : ___	PRODUCT GROUP		
DRAWING NO.						REV.	
PO# 11201							

