

# MDT Series Podiums | Lecterns

# S P E C I F I C A T I O N S

SKU: PL-MDT

MDT Series Desktop Computer Podiums provide a compact and secure enclosure for equipment, storage for essential media and supplies, a central location for controls and an ergonomic presentation platform. Add a monitor arm, and the computer display can be easily visible to the instructor from a range of angles. A range of additional customizations, including casters and desktop trays, may be added. An array of finishes available for a unique look.

Each MDT Series Computer Podium is designed to meet your specific requirements. Configured with locking storage bays and is available in two depths and 4 widths. Doors are on 270° hinges to enable them to fold flat against the sides when the lectern is in use.

## Available options include:

- Heavy-duty casters
- Task lights
- Rack-mount rails
- Access doors
- Power/data ports for laptops
- Security solutions
- Pullout and flip-up doc-cam and projector shelves
- Ventilation fans
- Variety of standard finish options and appearance upgrades

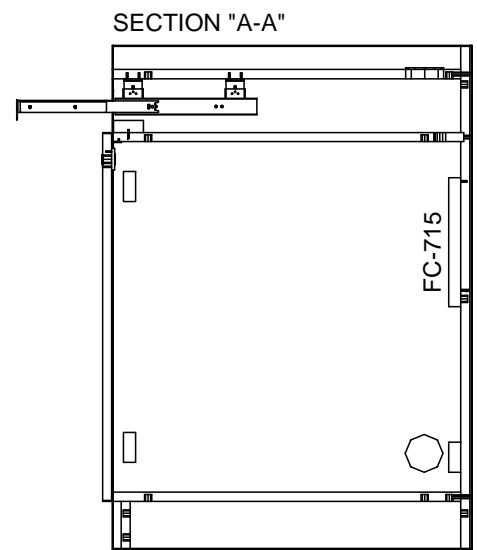
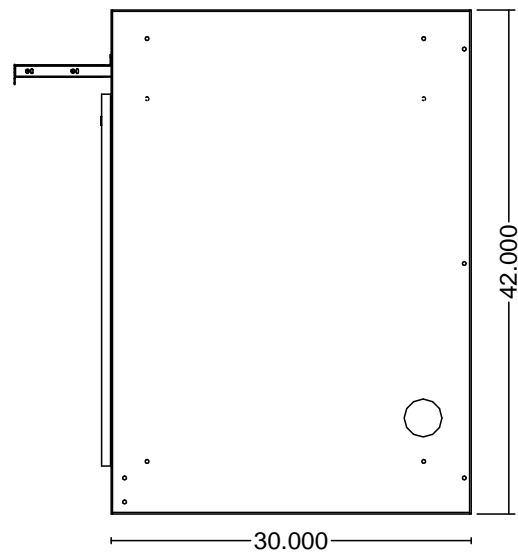
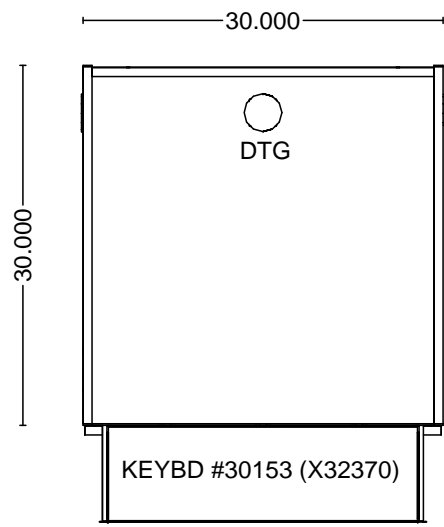
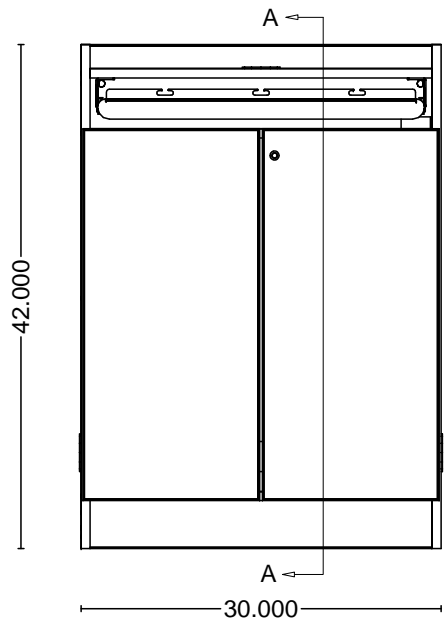


800 770 7042 | [www.smartdesks.com](http://www.smartdesks.com)

**SMARTDESKS**<sup>®</sup>

where design meets technology<sup>SM</sup>

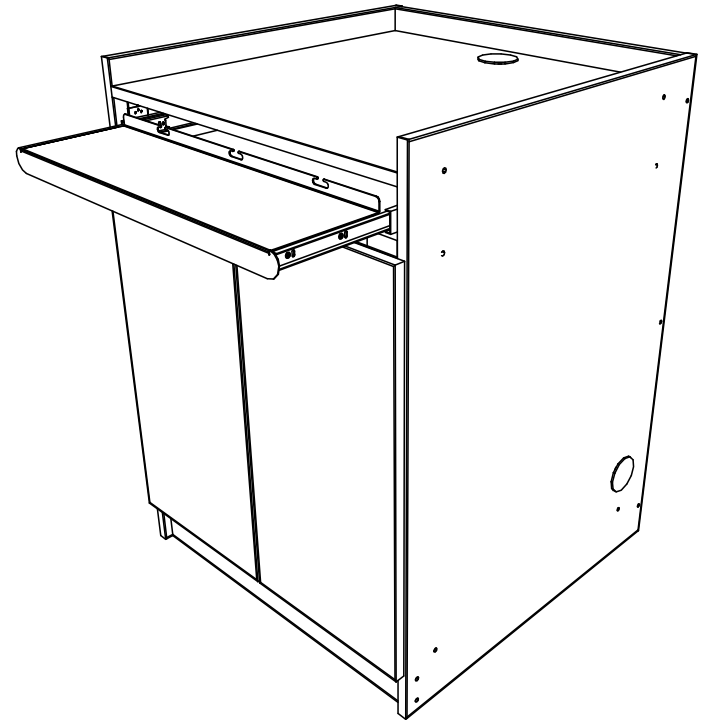
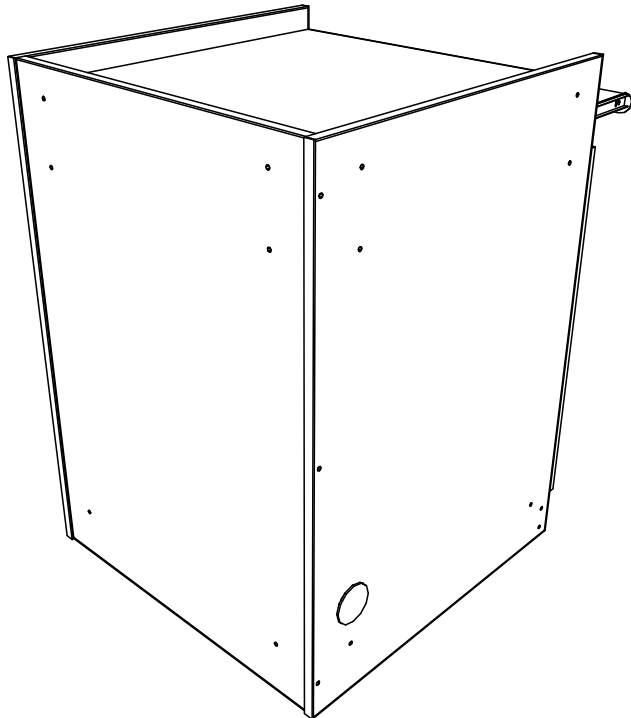
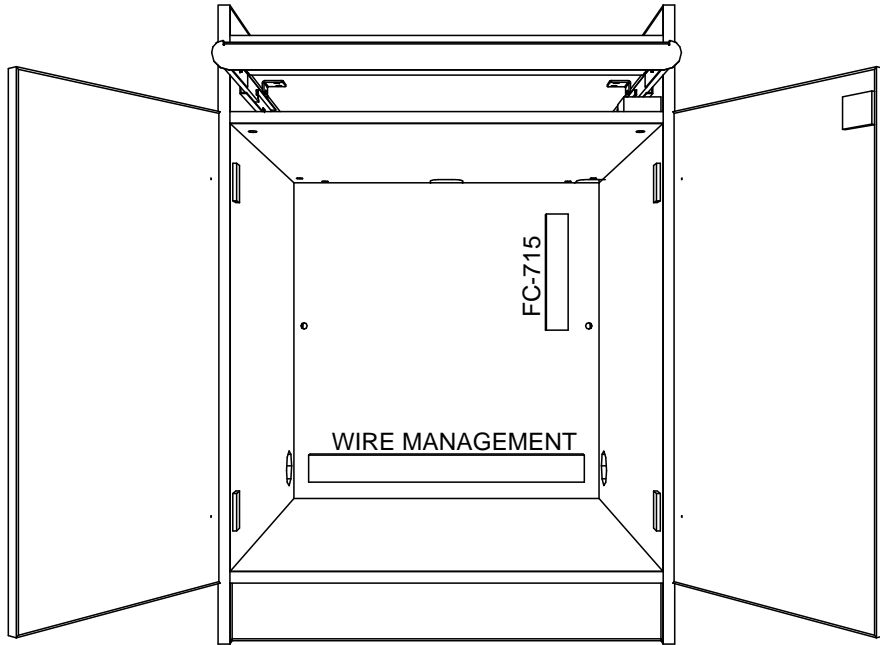
MATERIAL:  
 FINISH:  
 EDGE:



REVISIONS				TOLERANCES	PART NAME	
SYM	DATE	BY	DESCRIPTION	UNLESS SPECIFIED OTHERWISE	MDT-303042-LK9	
				DECIMALS	DATE:	DRWN BY:
				.X : ___	SCALE:	CAD NO.:
				.XX : ___	CHK'D BY:	CNC NO.:
				.XXX : ___	NOTICE: This drawing is the property of GBT Supply, Inc. dba SMARTdesks and contains proprietary information that is not to be used except in the consideration of bids or proposals tendered herewith. Reproductions or copying of the drawing, in whole or in part, is prohibited.	
				ANGLE : ___	PRODUCT GROUP	
					DRAWING NO. PO# 9272	
					REV.	



MATERIAL:  
 FINISH:  
 EDGE:



REVISIONS				TOLERANCES UNLESS SPECIFIED OTHERWISE DECIMALS	PART NAME	DRAWN BY:		PRODUCT GROUP
SYM	DATE	BY	DESCRIPTION			DATE:	CAD NO.	
								<b>SMARTDESKS</b> <small>where design meets technology™</small> 800.770.7042 <a href="http://www.Smartdesks.com">www.Smartdesks.com</a>
								DRAWING NO. <b>PO# 9272</b>

PART NAME **MDT-303042-LK9**

DATE: \_\_\_\_\_  
 SCALE: \_\_\_\_\_  
 CHK'D BY: \_\_\_\_\_  
 CNC NO. \_\_\_\_\_

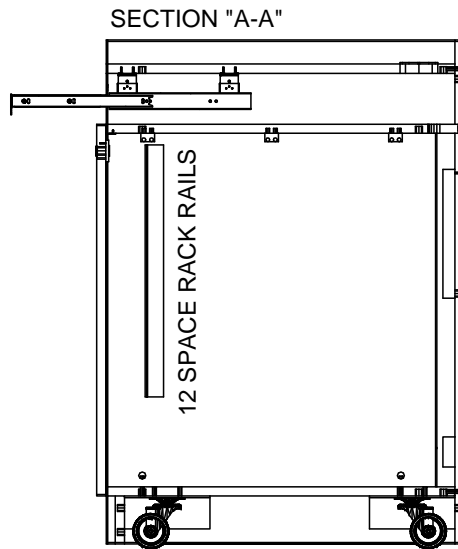
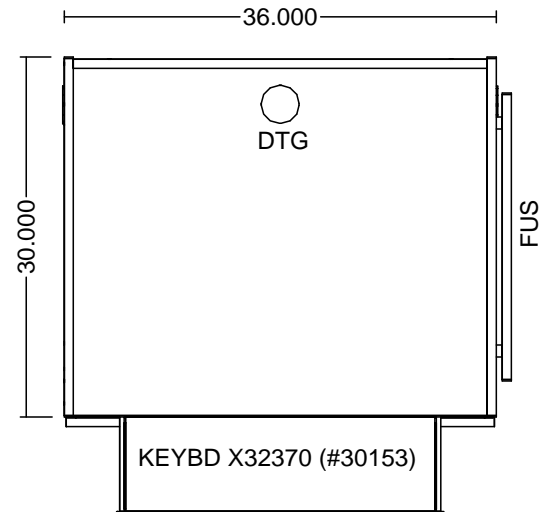
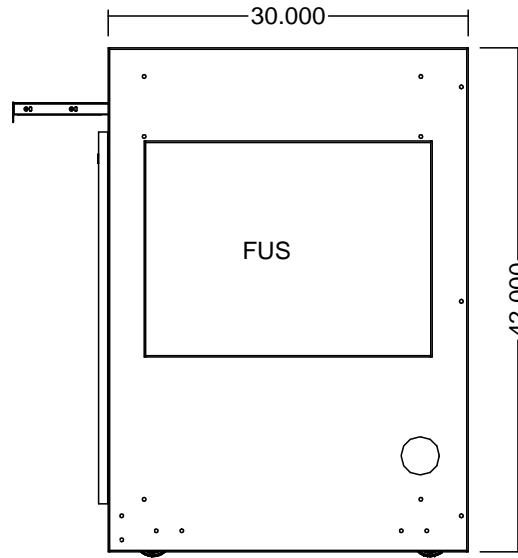
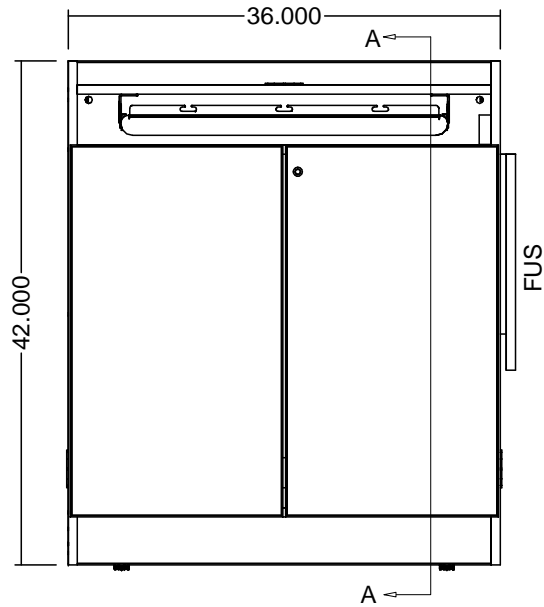
NOTICE: This drawing is the property of GBT Supply, Inc. dba SMARTdesks and contains proprietary information that is not to be used except in the consideration of bids or proposals tendered herewith. Reproductions or copying of the drawing, in whole or in part, is prohibited.



DRAWING NO.  
**PO# 9272**

REV.

MATERIAL:  
 FINISH:  
 EDGE:



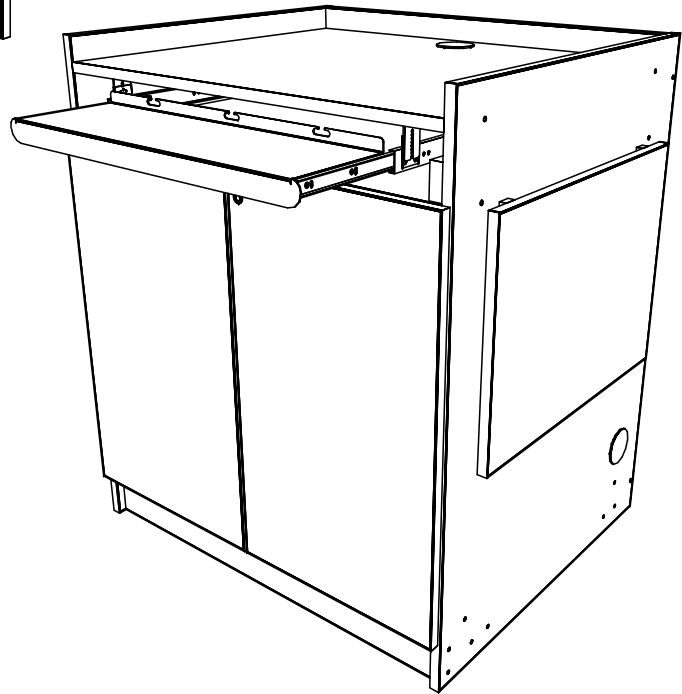
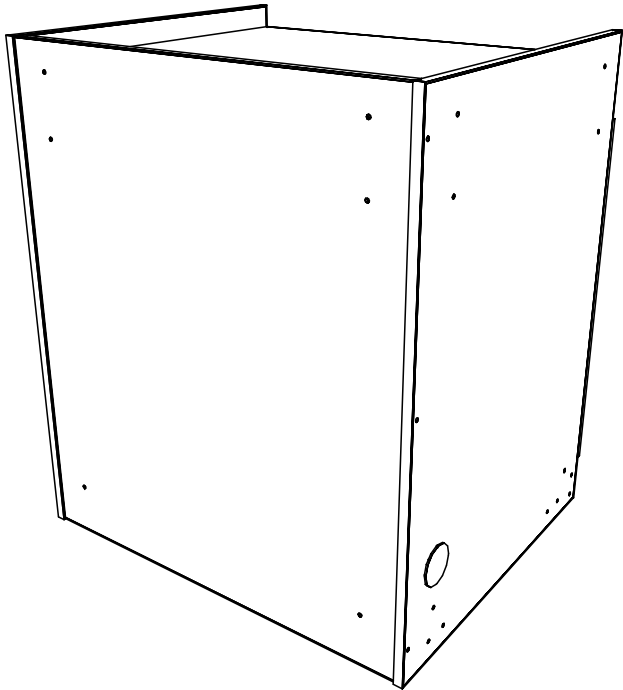
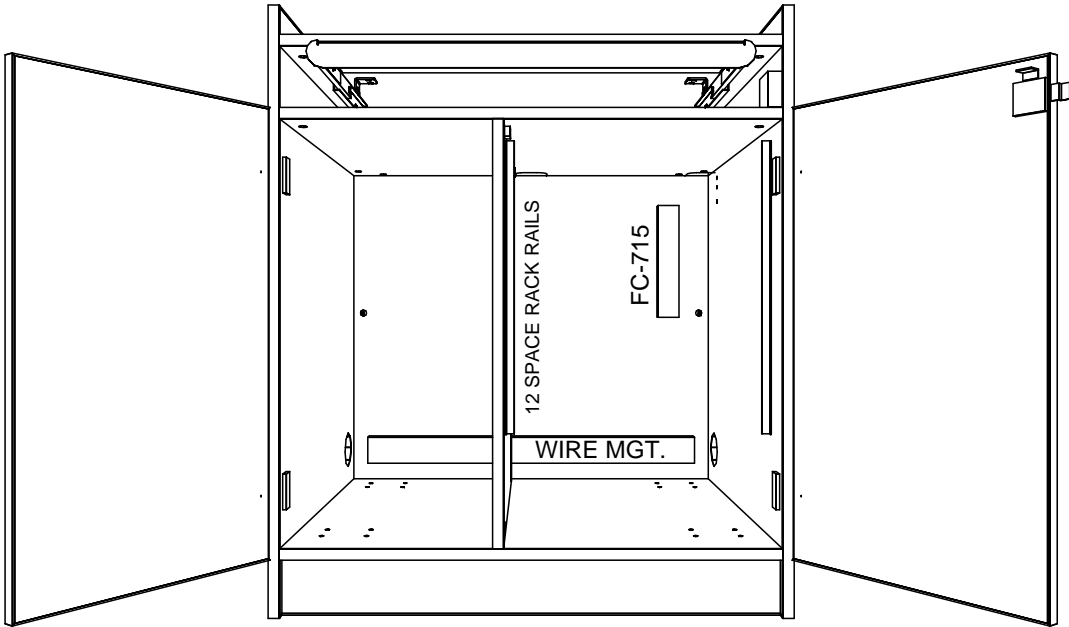
REVISIONS			
SYM	DATE	BY	DESCRIPTION

TOLERANCES	
UNLESS SPECIFIED OTHERWISE	
DECIMALS	
.X	: —
.XX	: —
.XXX	: —
ANGLE	: —

PART NAME		MDT-363042-LKX	
DATE:	DRWN BY:	CAD NO.:	CNC NO.:
SCALE:	CHK'D BY:	NOTICE: This drawing is the property of GBT Supply, Inc. dba SMARTdesks and containing proprietary information that is not to be used except in the consideration of bids or proposals tendered herewith. Reproductions or copying of the drawing, in whole or in part, is prohibited.	

  
 where design meets technology™  
 800.770.7042  
 www.Smartdesks.com  
 PRODUCT GROUP  
 DRAWING NO. PO# 9505  
 REV.

MATERIAL:  
 FINISH:  
 EDGE:




REVISIONS				TOLERANCES UNLESS SPECIFIED OTHERWISE DECIMALS	PART NAME	MDT-363042-LKX	
SYM	DATE	BY	DESCRIPTION			DATE:	DRWN BY:

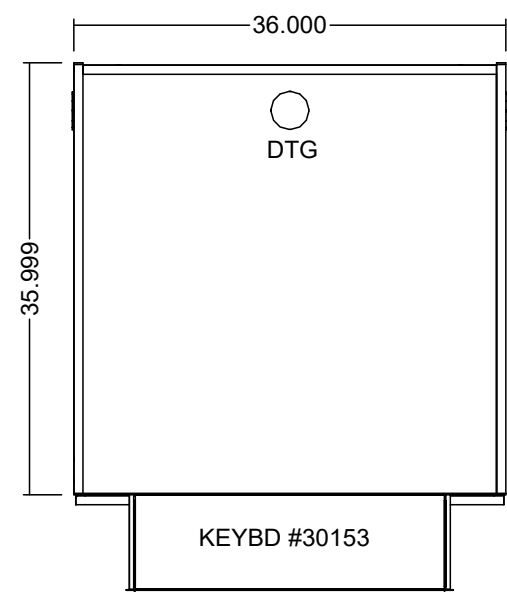
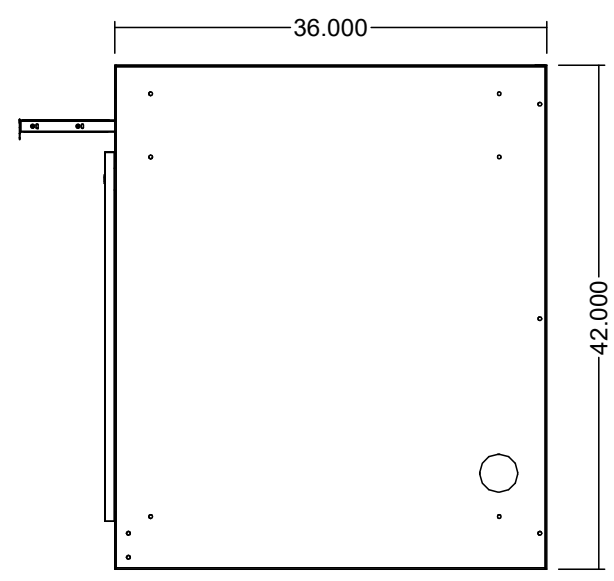
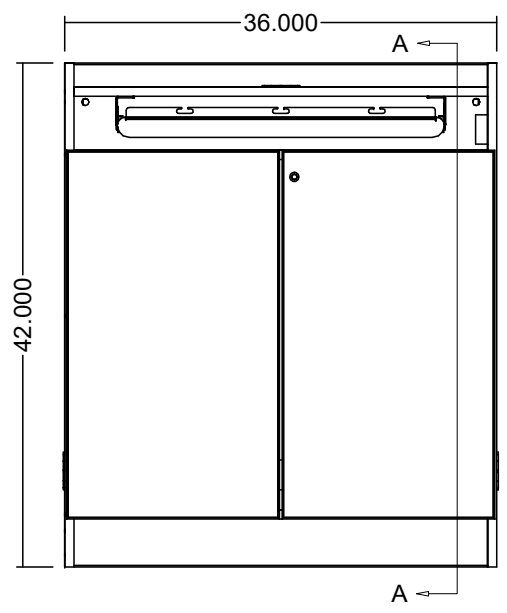
  

SCALE:	CAD NO.
CHK'D BY:	CNC NO.

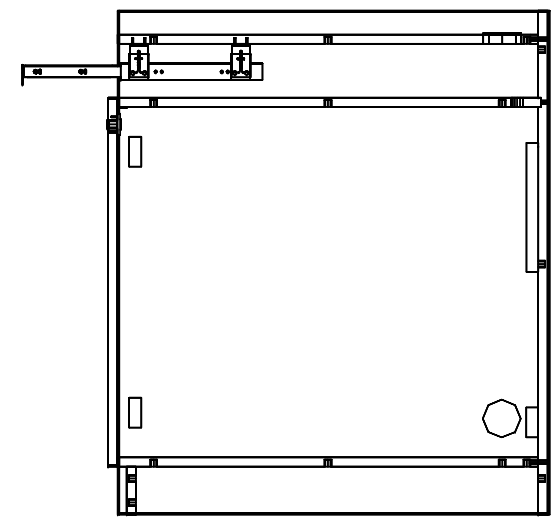
  

<small>NOTICE: This drawing is the property of CBT Supply, Inc. dba SMARTdesks and contains proprietary information that is not to be used except in the consideration of bids or proposals tendered herewith. Reproductions or copying of the drawing, in whole or in part, is prohibited.</small>		<small>PRODUCT GROUP</small>  <small>where design meets technology™</small> 800.770.7042 <a href="http://www.Smartdesks.com">www.Smartdesks.com</a>
DRAWING NO.	REV.	
PO# 9505		

MATERIAL:  
 FINISH:  
 EDGE:



SECTION "A-A"



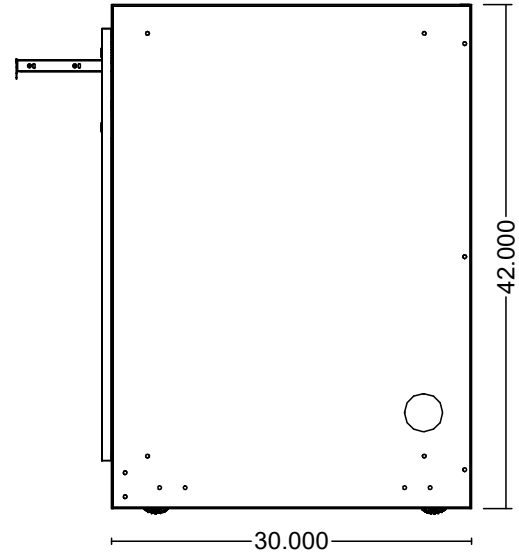
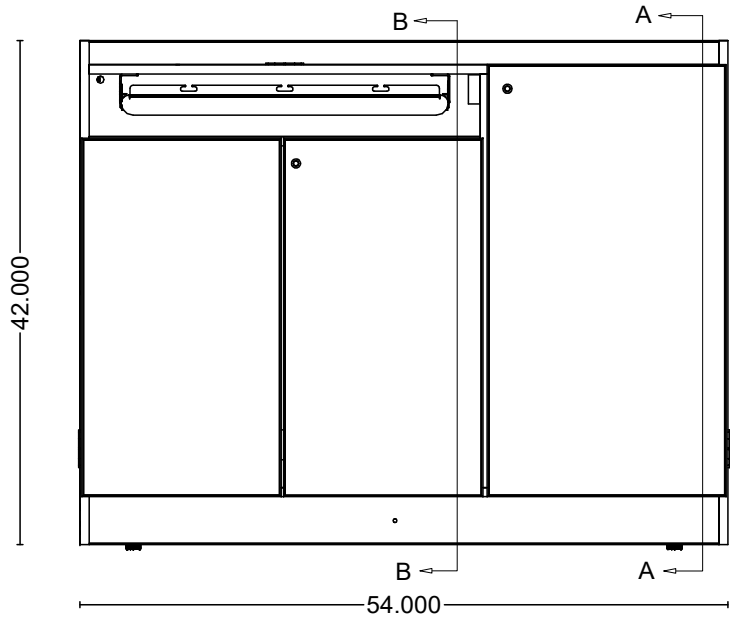
REVISIONS			
SYM	DATE	BY	DESCRIPTION

TOLERANCES	
UNLESS SPECIFIED OTHERWISE	
DECIMALS	
.X	: .005
.XX	: .002
.XXX	: .001
ANGLE	: .005

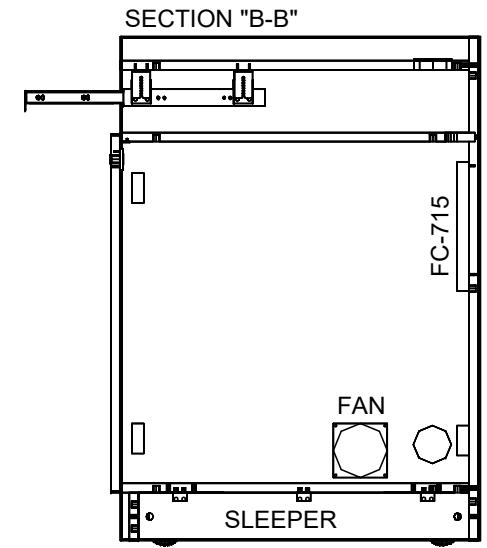
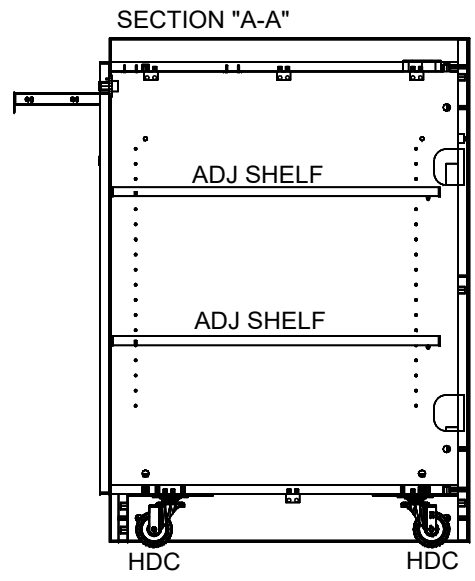
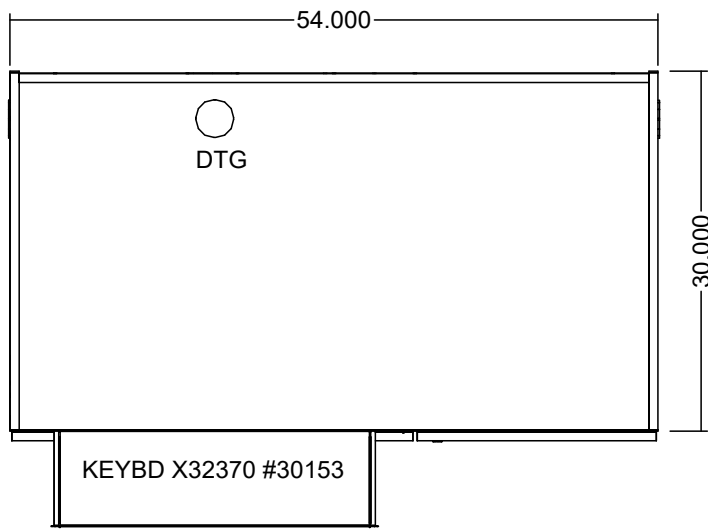
PART NAME	
MDT-363642-LKX	
DATE:	DRWN BY:
SCALE:	CAD NO.:
CHK'D BY:	CNC NO.:
NOTICE: This drawing is the property of GBT Supply, Inc. dba SMARTdesks and contains proprietary information that is not to be used except in the consideration of bids or proposals tendered herewith. Reproductions or copying of the drawing, in whole or in part, is prohibited.	

  
 where design meets technology™  
 800.770.7042  
 www.Smartdesks.com  
 PRODUCT GROUP:   
 DRAWING NO. **PO# 10651**      REV.





MATERIAL:  
FINISH:  
EDGE:



REVISIONS			
SYM	DATE	BY	DESCRIPTION

TOLERANCES UNLESS SPECIFIED OTHERWISE	
DECIMALS	
.X	: —
.XX	: —
.XXX	: —
ANGLE	: —

PART NAME		<b>MDT-543042-LK9</b>	
DATE:	DRWN BY:		
SCALE:	CAD NO.:		
CHK'D BY:	CNC NO.:		
NOTICE: This drawing is the property of GBT Supply, Inc. dba SMARTdesks and contains proprietary information that is not to be used except in the consideration of bids or proposals tendered herewith. Reproductions or copying of the drawing, in whole or in part, is prohibited.			

**SMARTDESKS**  
where design meets technology™

800.770.7042  
www.Smartdesks.com

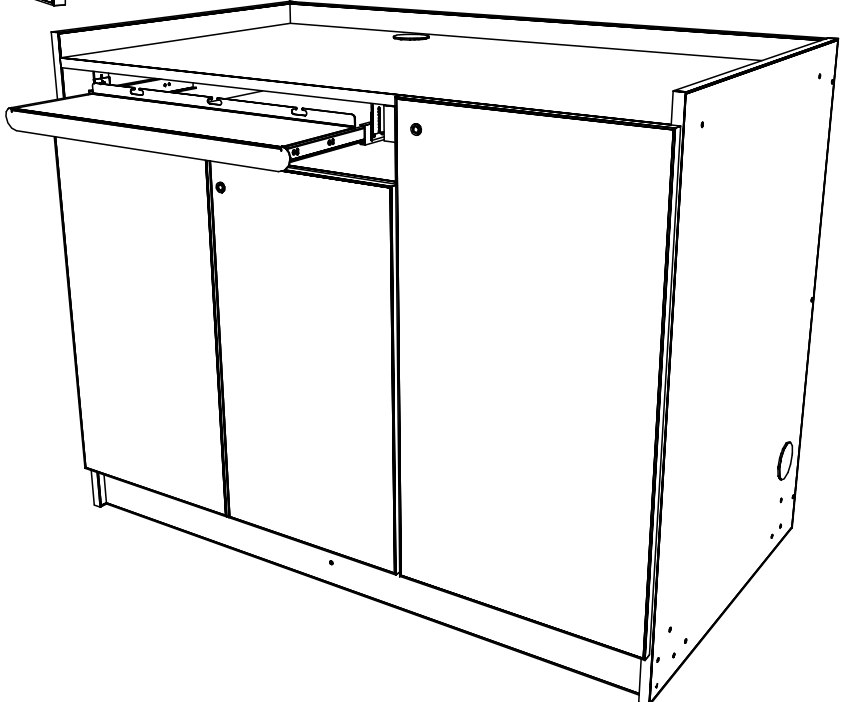
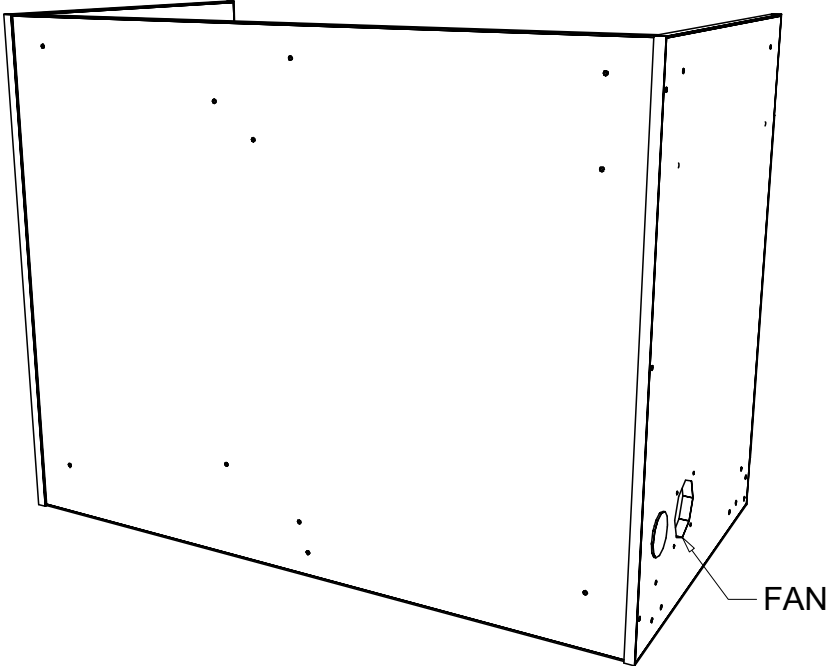
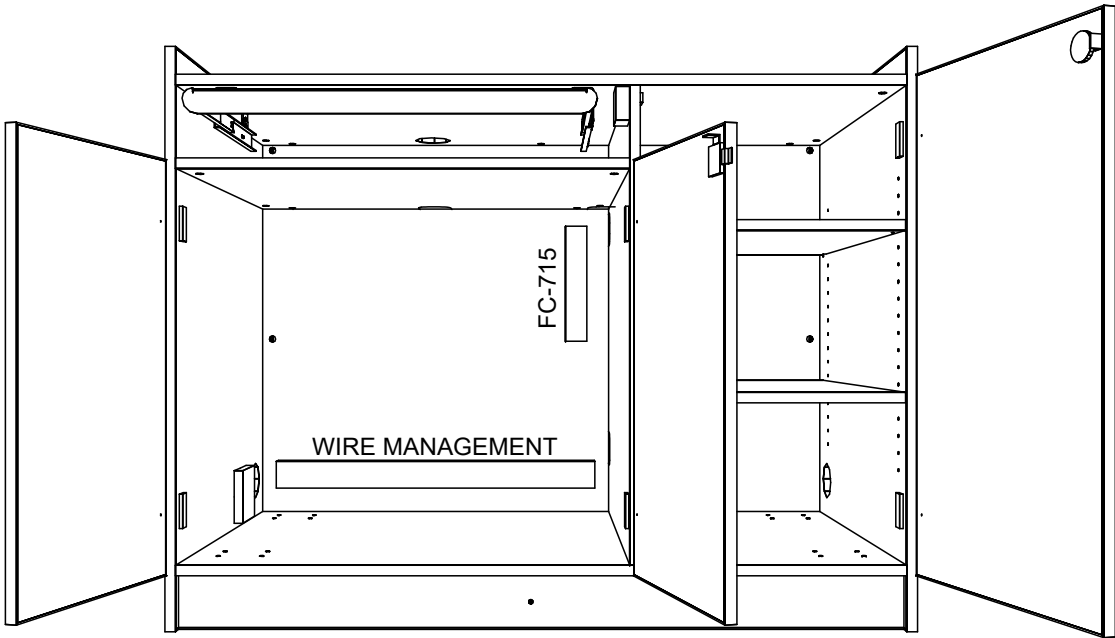
PRODUCT GROUP

DRAWING NO. **PO# 10667**

REV. \_\_\_\_\_



MATERIAL:  
 FINISH:  
 EDGE:



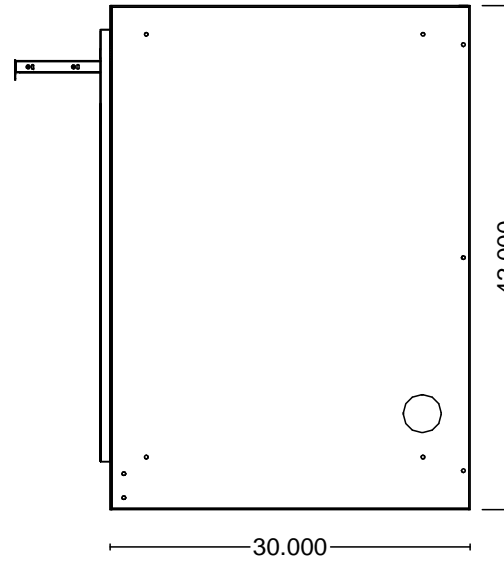
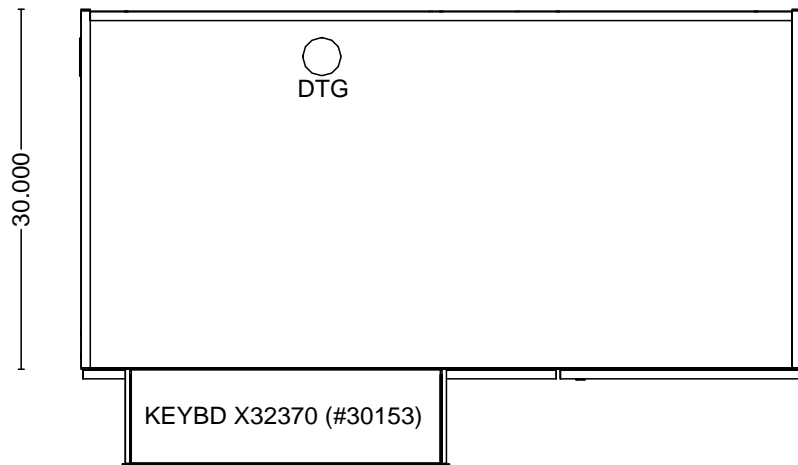
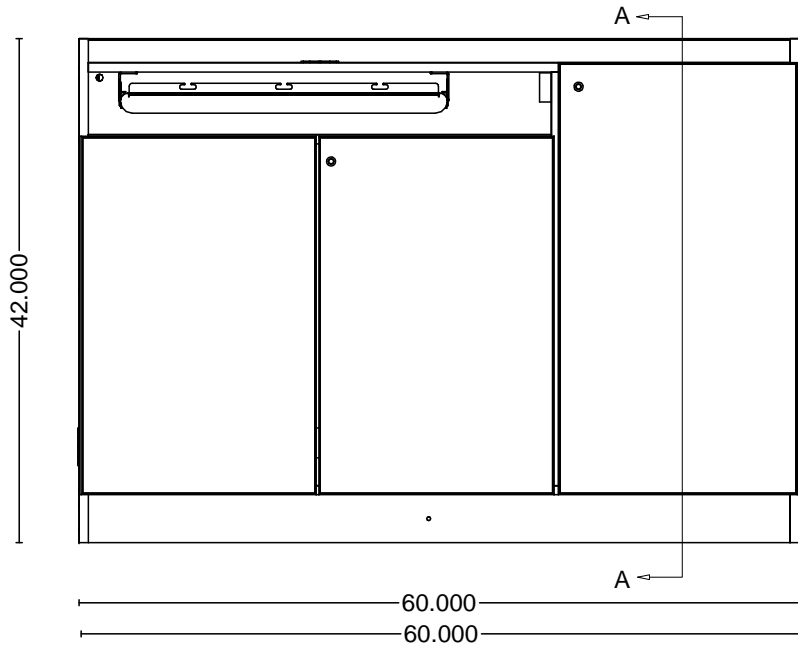
REVISIONS				TOLERANCES	PART NAME	MDT-543042-LK9	
SYM	DATE	BY	DESCRIPTION	UNLESS SPECIFIED OTHERWISE	DATE:	DRWN BY:	SCALE:
				DECIMALS			CAD NO.
				.X : ___	CHK'D BY:	CNC NO.	
				.XX : ___	NOTICE: This drawing is the property of GBT Supply, Inc. dba SMARTdesks and contains proprietary information that is not to be used except in the consideration of bids or proposals tendered herewith. Reproductions or copying of the drawing, in whole or in part, is prohibited.		
				.XXX : ___	PRODUCT GROUP		
				ANGLE : ___	DRAWING NO. PO# 10667		
					REV.		



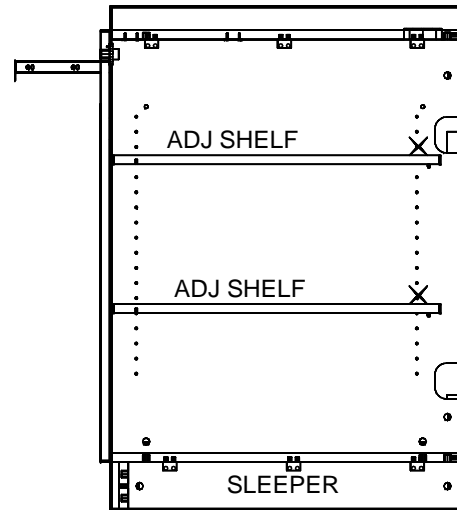




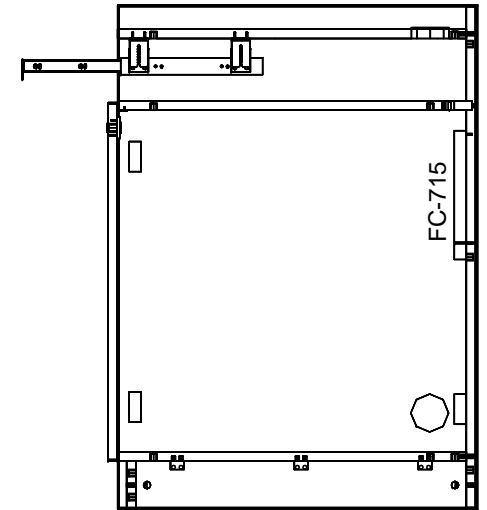
MATERIAL:  
 FINISH:  
 EDGE:



SECTION "A-A"

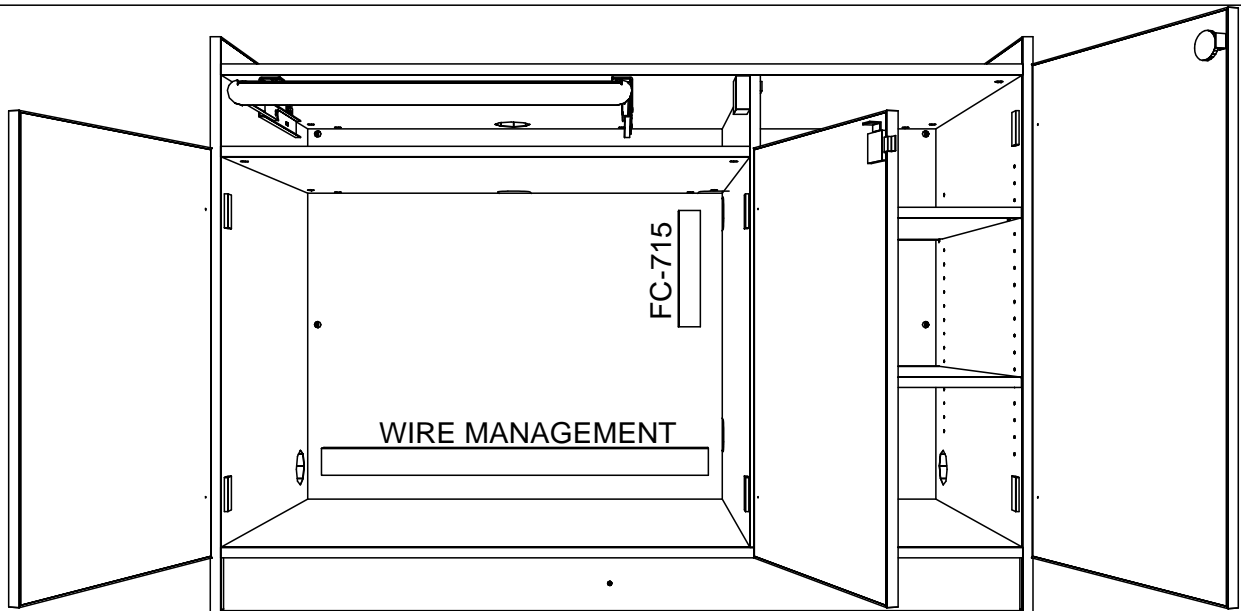


SECTION "B-B"

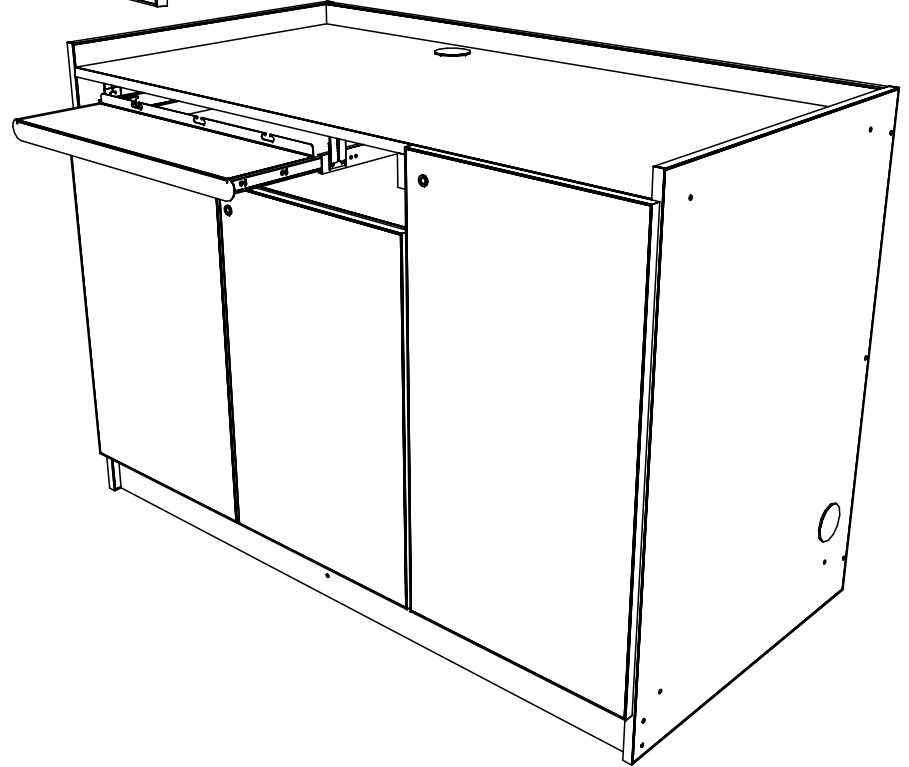
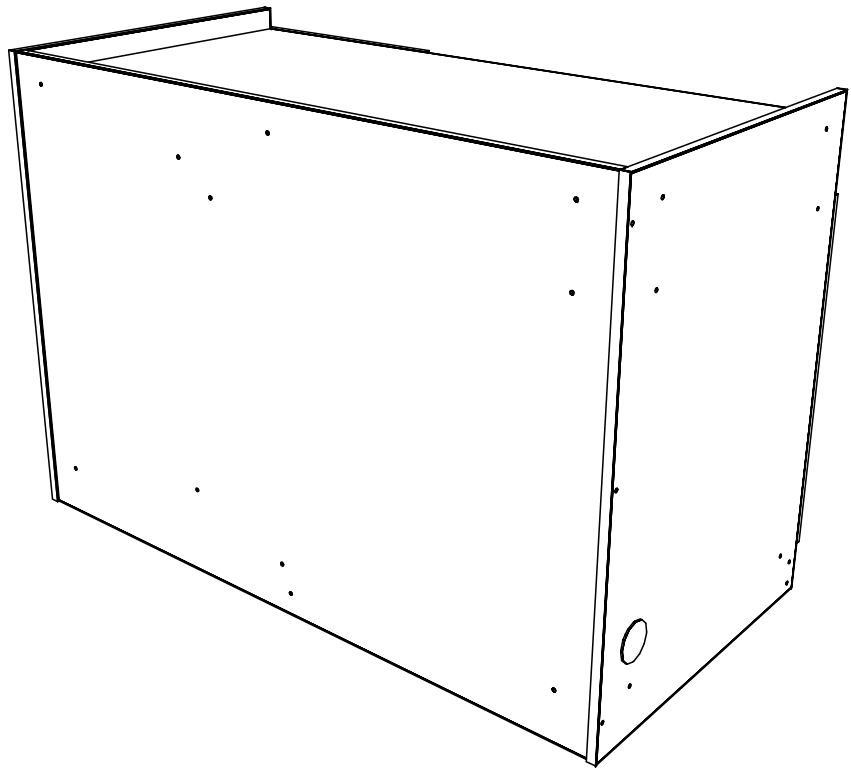


REVISIONS				TOLERANCES	PART NAME	
SYM	DATE	BY	DESCRIPTION	UNLESS SPECIFIED OTHERWISE	MDT-603042-LK9	
				DECIMALS	DATE:	DRWN BY:
				.X : _____	SCALE:	CAD NO.:
				.XX : _____	CHK'D BY:	CNC NO.:
				.XXX : _____	NOTICE: This drawing is the property of GBT Supply, Inc. dba SMARTdesks and containing proprietary information that is not to be used except in the consideration of bids or proposals tendered herewith. Reproductions or copying of the drawing, in whole or in part, is prohibited.	
				ANGLE : _____	PRODUCT GROUP	
					DRAWING NO. PO# 9583	
					REV.	





MATERIAL:  
 FINISH:  
 EDGE:



REVISIONS				TOLERANCES UNLESS SPECIFIED OTHERWISE DECIMALS	PART NAME	MDT-603042-LK9	
SYM	DATE	BY	DESCRIPTION			DATE:	DRWN BY:

SCALE:	CAD NO.:
CHK'D BY:	CNC NO.:

<small>NOTICE: This drawing is the property of GBT Supply, Inc. dba SMARTdesks and contains proprietary information that is not to be used except in the consideration of bids or proposals tendered herewith. Reproductions or copying of the drawing, in whole or in part, is prohibited.</small>		<small>PRODUCT GROUP</small>
<small>DRAWING NO.</small> <b>PO# 9583</b>		<small>REV.</small>

