

# MFP Series iMac® Podiums

# S P E C I F I C A T I O N S

SKU: PL-MFI

Perfect for iMac® and AIO computers that have permanently affixed stands. MFP Series Computer Podium integrates up to 24" displays recessed into the work surface to eliminate any obstruction of the line of sight between instructor and student. The LCD is easily seen by the teacher from behind and to the sides of the computer podium, making for fewer restrictions to moving around while teaching.

The MFP series is configured with locking storage bays and is available in two depths and 4 widths. Doors are on 270° hinges to enable them to fold flat against the sides when the lectern is in use.

#### Additional options include:

- Heavy-duty casters
- Task lights
- Rack-mount rails
- Access doors
- Power and data ports for laptops
- Security solutions
- Pullout and flip-up doc-cam and projector shelves
- Ventilation fans
- A range of standard finish options and appearance upgrades

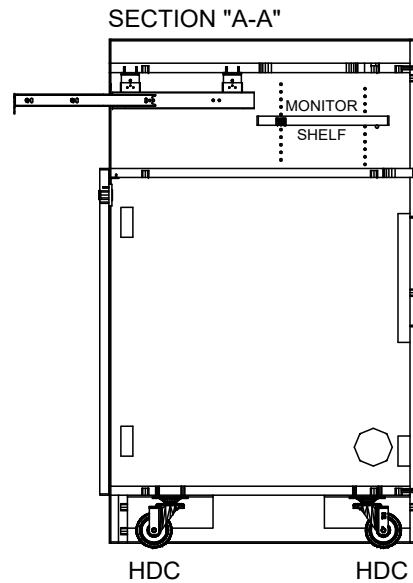
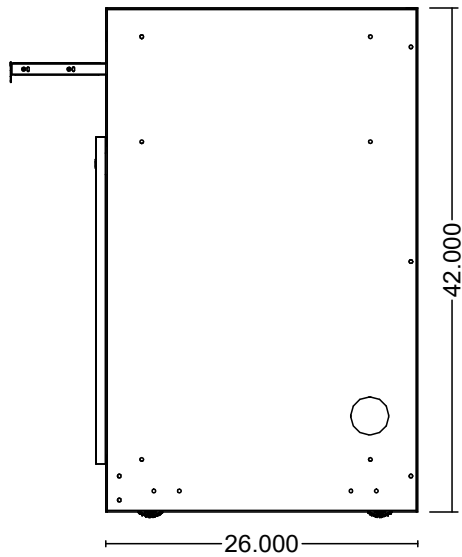
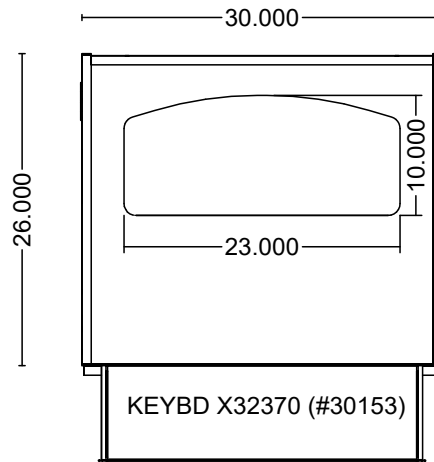
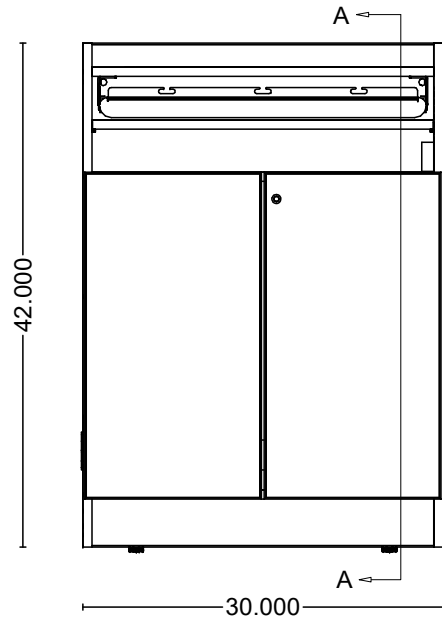


800 770 7042 | [www.smartdesks.com](http://www.smartdesks.com)



where design meets technology<sup>sm</sup>

MATERIAL:  
 FINISH:  
 EDGE:



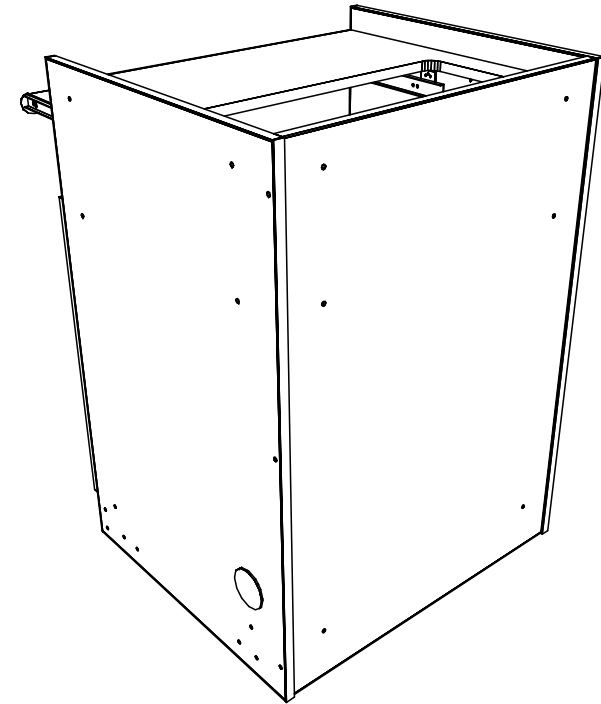
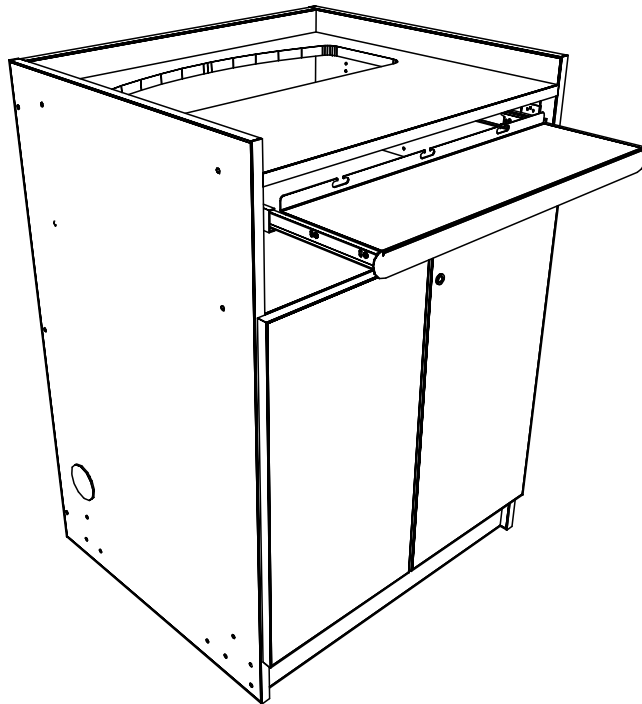
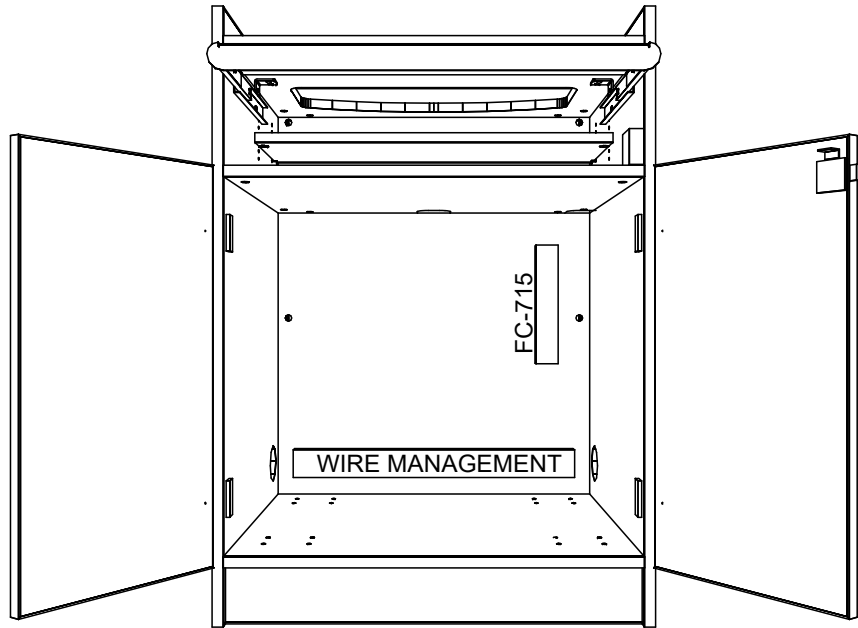
REVISIONS			
SYM	DATE	BY	DESCRIPTION


TOLERANCES	
UNLESS SPECIFIED OTHERWISE	
DECIMALS	
.X	
.XX	
.XXX	
ANGLE	

PART NAME		MFP-302642-LKF	
DATE:	DRWN BY:	SCALE:	CAD NO.
CHK'D BY:	CNC NO.	NOTICE: This drawing is the property of GBT Supply, Inc. dba Smartdesks and containing proprietary information that is not to be used except in the consideration of bids or proposals tendered herewith. Reproductions or copying of the drawing, in whole or in part, is prohibited.	

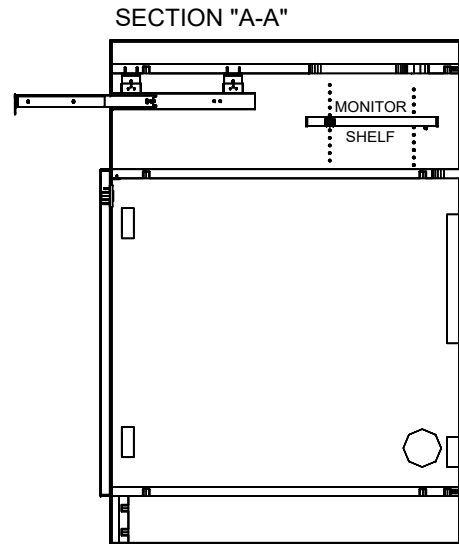
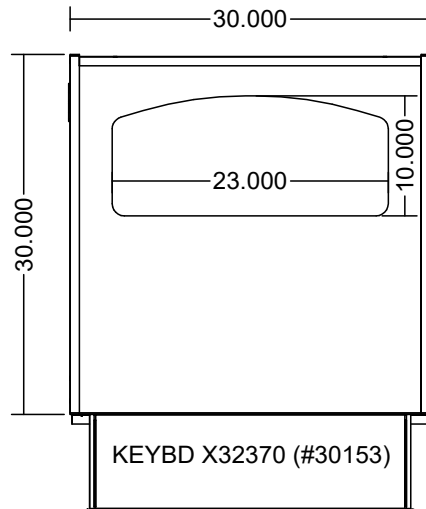
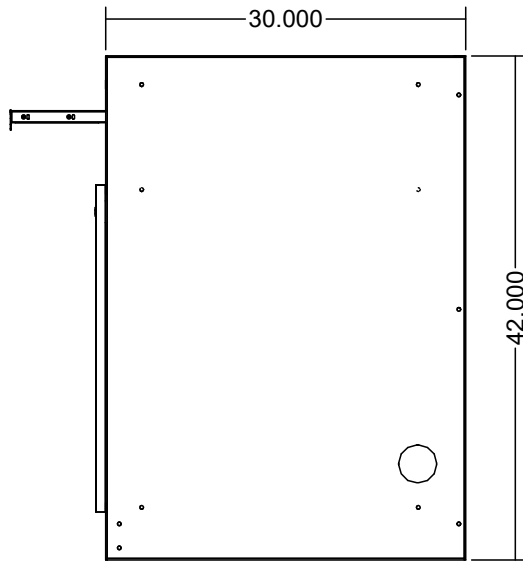
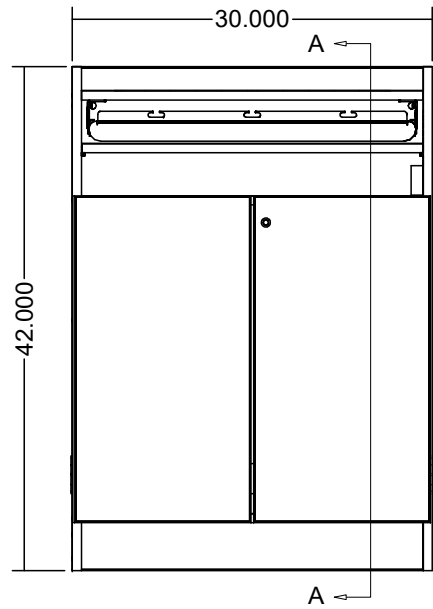
  
 where design meets technology™  
 800.770.7042  
[www.Smartdesks.com](http://www.Smartdesks.com)  
 PRODUCT GROUP  
 DRAWING NO. PO# 10844  
 REV.

MATERIAL:  
 FINISH:  
 EDGE:



REVISIONS				TOLERANCES	PART NAME	MFP-302642-LKF		 <small>where design meets technology™</small> 800.770.7042 <a href="http://www.Smartdesks.com">www.Smartdesks.com</a>
SYM	DATE	BY	DESCRIPTION	UNLESS SPECIFIED OTHERWISE	DATE:	DRWN BY:	PRODUCT GROUP	
				DECIMALS	SCALE:	CAD NO.	<small>NOTICE: This drawing is the property of CBT Supply, Inc. dba SMARTdesks and contains proprietary information that is not to be used except in the consideration of bids or proposals tendered herewith. Reproductions or copying of the drawing, in whole or in part, is prohibited.</small>	
				.X : ___	CHK'D BY:	CNC NO.		
				.XX : ___				
				.XXX : ___				
				ANGLE : ___			DRAWING NO.	REV.
							PO# 10844	

MATERIAL:  
 FINISH:  
 EDGE:



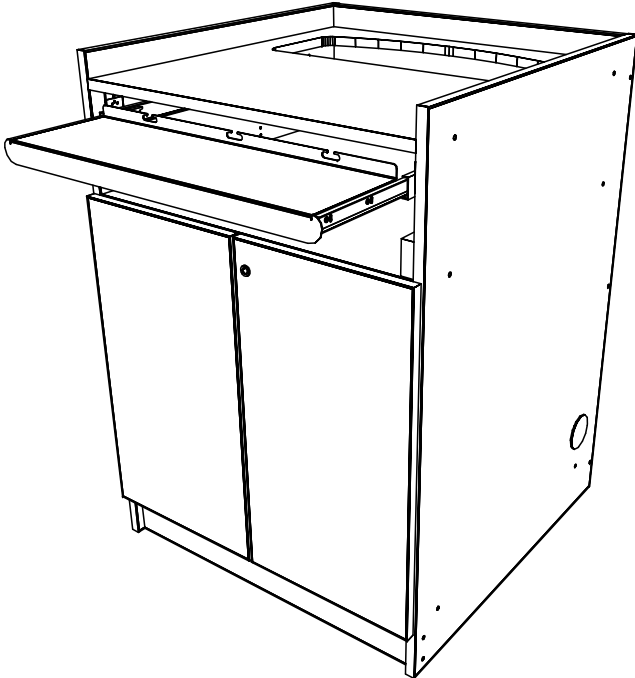
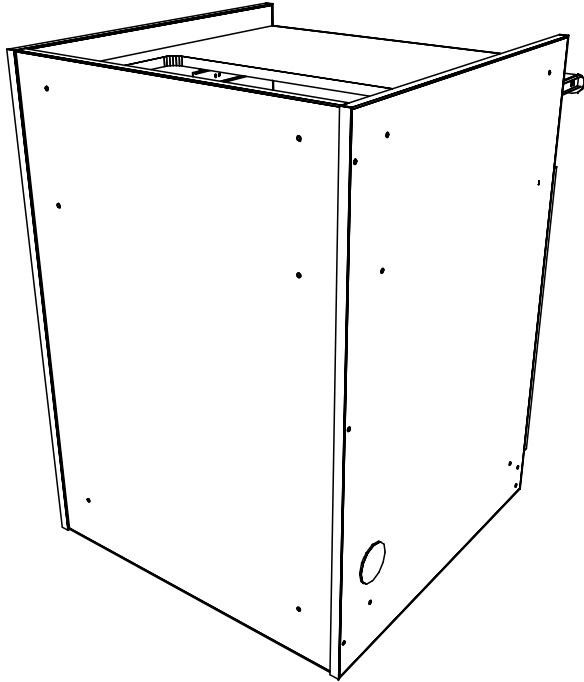
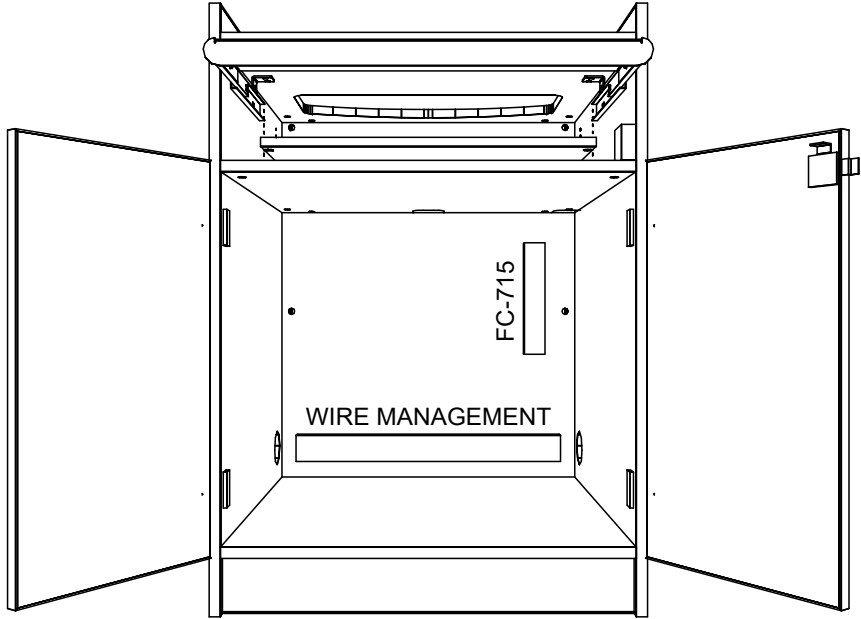
REVISIONS			
SYM	DATE	BY	DESCRIPTION

TOLERANCES	
UNLESS SPECIFIED	OTHERWISE
DECIMALS	
.X	: —
.XX	: —
.XXX	: —
ANGLE	: —

PART NAME		MFP-303042-LKF	
DATE:	DRWN BY:	CAD NO.:	CNC NO.:
SCALE:	CHK'D BY:		
NOTICE: This drawing is the property of GBT Supply, Inc. dba SmartDesks and contains proprietary information that is not to be used except in the consideration of bids or proposals tendered herewith. Reproductions or copying of the drawing, in whole or in part, is prohibited.			

  
 where design meets technology™  
 800.770.7042  
 www.Smartdesks.com  
 PRODUCT GROUP  
 DRAWING NO. PO# 9596  
 REV.

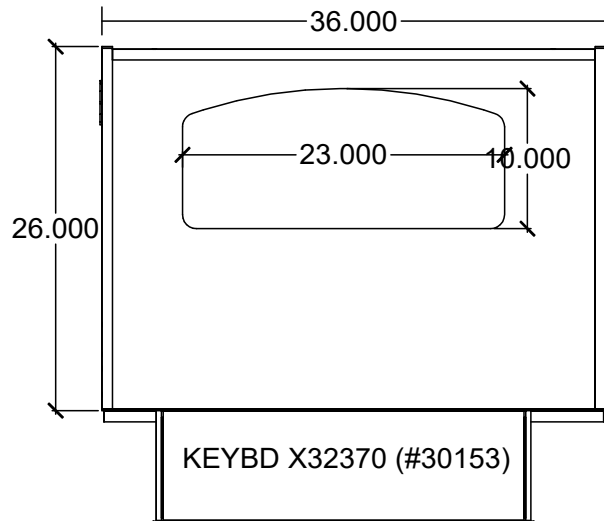
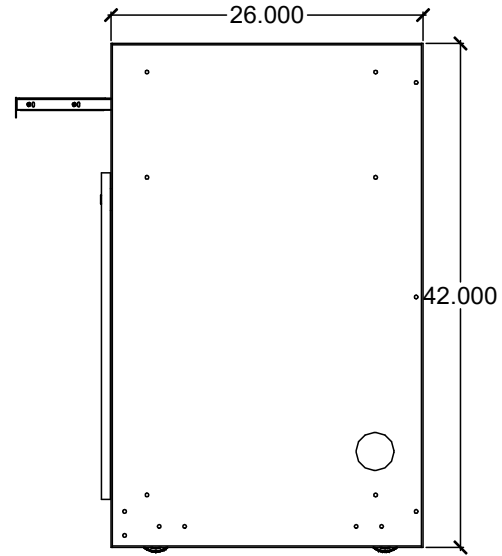
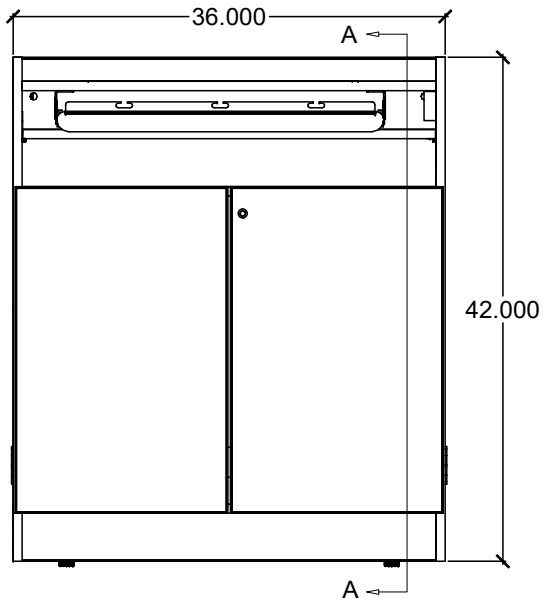
MATERIAL:  
 FINISH:  
 EDGE:



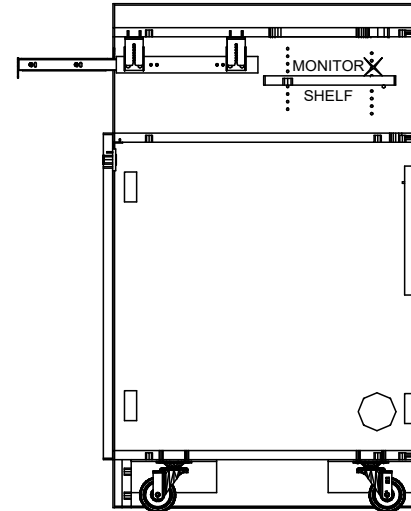
REVISIONS				TOLERANCES	PART NAME	
SYM	DATE	BY	DESCRIPTION	UNLESS SPECIFIED OTHERWISE	MFP-303042-LKF	
				DECIMALS	DATE:	DRWN BY:
				.X : ___	SCALE:	CAD NO.:
				.XX : ___	CHK'D BY:	CNC NO.:
				.XXX : ___	NOTICE: This drawing is the property of GBT Supply, Inc. dba SMARTdesks and containing proprietary information that is not to be used except in the consideration of bids or proposals tendered herewith. Reproductions or copying of the drawing, in whole or in part, is prohibited.	
				ANGLE : ___	PRODUCT GROUP	
					DRAWING NO. PO# 9596	
					REV.	



MATERIAL:  
 FINISH:  
 EDGE:



SECTION "A-A"



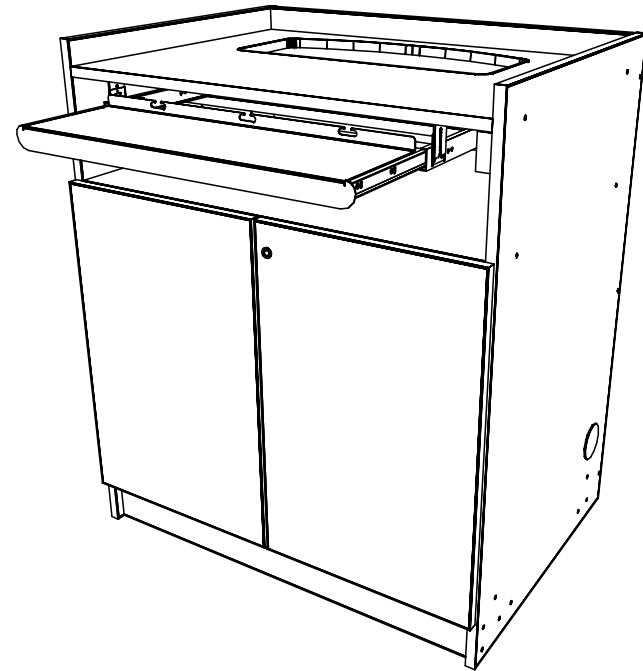
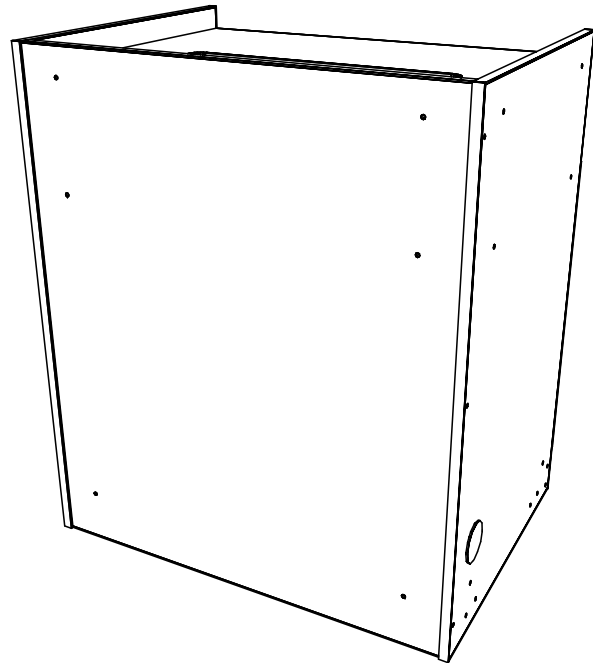
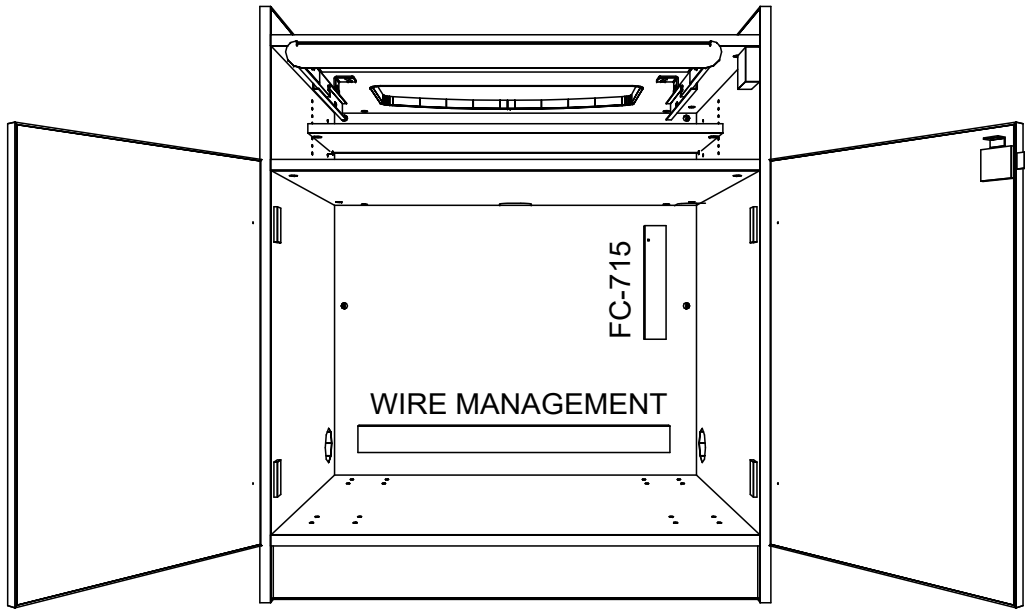
REVISIONS				TOLERANCES	PART NAME	DRAWN BY:	
SYM	DATE	BY	DESCRIPTION	UNLESS SPECIFIED OTHERWISE	MFP-362642-LKF	DATE:	CAD NO.
				DECIMALS		SCALE:	CNC NO.
				.X : ___		CHK'D BY:	
				.XX : ___		NOTICE: This drawing is the property of GBT Supply, Inc. dba SMARTdesks and contains proprietary information that is not to be used except in the consideration of bids or proposals tendered herewith. Reproductions or copying of the drawing, in whole or in part, is prohibited.	
				.XXX : ___		PRODUCT GROUP	DRAWING NO.
				ANGLE : ___			PO# 10104
							REV.



800.770.7042  
 www.Smartdesks.com

DRAWING NO. PO# 10104

MATERIAL:  
 FINISH:  
 EDGE:

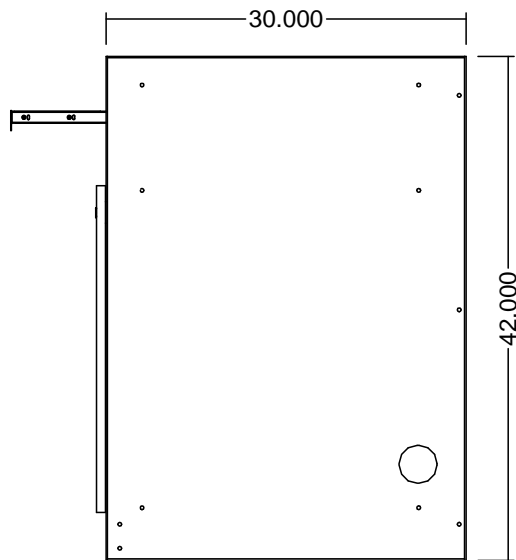
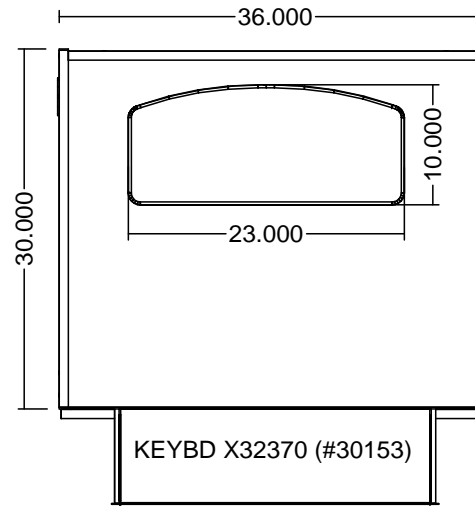
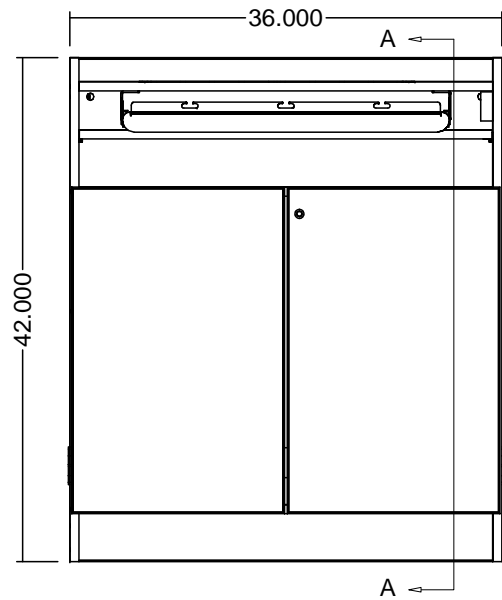


REVISIONS				TOLERANCES	PART NAME	
SYM	DATE	BY	DESCRIPTION	UNLESS SPECIFIED OTHERWISE	MFP-362642-LKF	
				DECIMALS	DATE:	DRWN BY:
				.X : _____	SCALE:	CAD NO.:
				.XX : _____	CHK'D BY:	CNC NO.:
				.XXX : _____	NOTICE: This drawing is the property of GBT Supply, Inc. dba SMARTdesks and contains proprietary information that is not to be used except in the consideration of bids or proposals tendered herewith. Reproductions or copying of the drawing, in whole or in part, is prohibited.	
				ANGLE : _____	PRODUCT GROUP	
					DRAWING NO. PO# 10104	
					REV.	

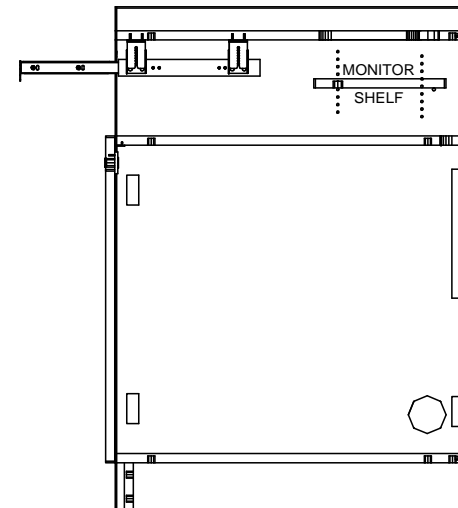


800.770.7042  
 www.Smartdesks.com

MATERIAL:  
 FINISH:  
 EDGE:



SECTION "A-A"

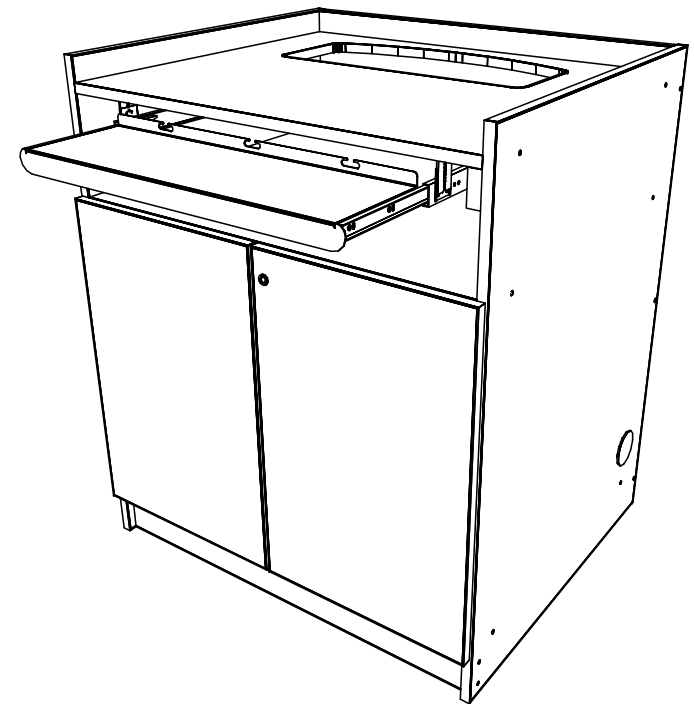
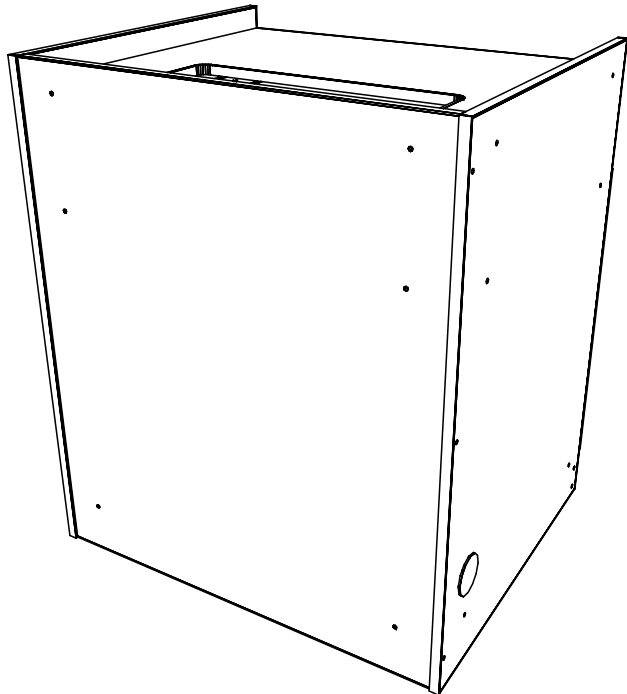
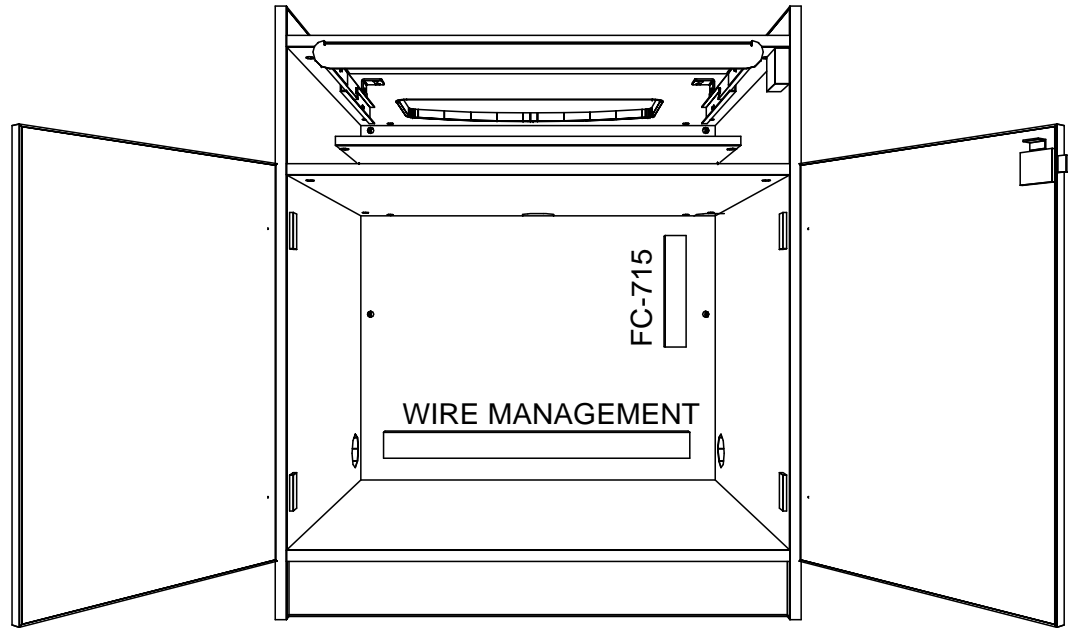


REVISIONS				TOLERANCES	PART NAME	DRAWN BY:	
SYM	DATE	BY	DESCRIPTION	UNLESS SPECIFIED OTHERWISE DECIMALS	MFP-363042-LKF	SCALE:	CAD NO.
				.X : _____	DATE:	CHK'D BY:	CNC NO.
				.XX : _____	NOTICE: This drawing is the property of GBT Supply, Inc. dba SMARTdesks and contains proprietary information that is not to be used except in the consideration of bids or proposals tendered herewith. Reproductions or copying of the drawing, in whole or in part, is prohibited.		
				.XXX : _____	PRODUCT GROUP		
				ANGLE : _____	DRAWING NO. PO# 9731		
					REV.		





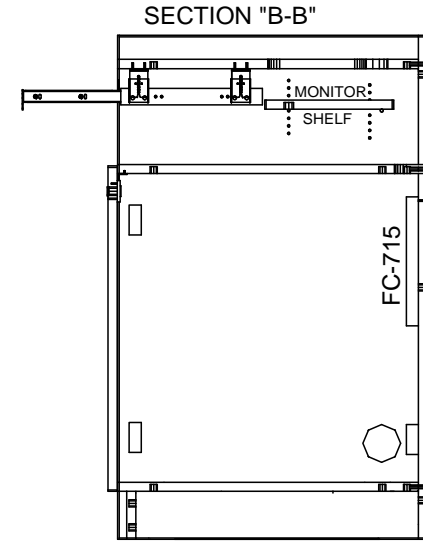
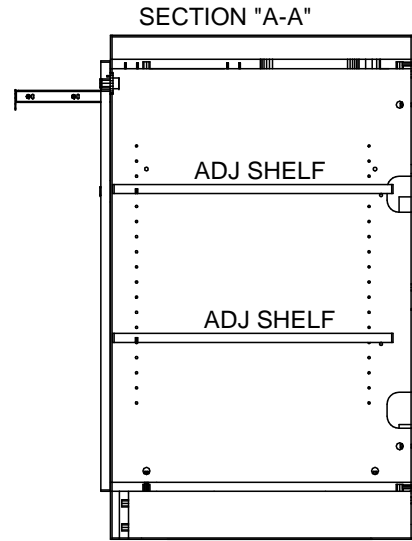
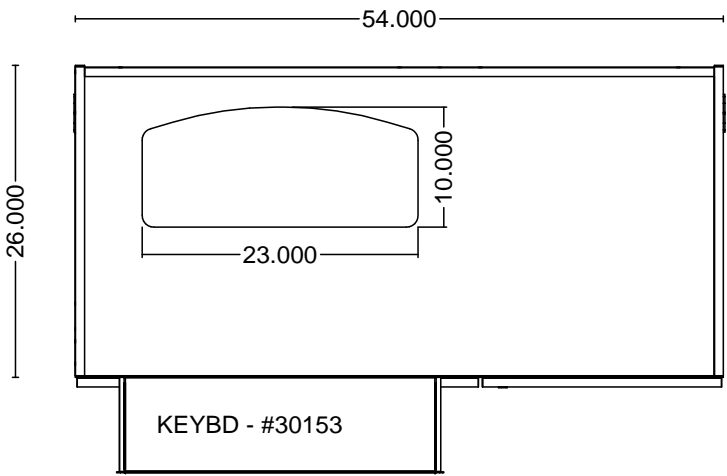
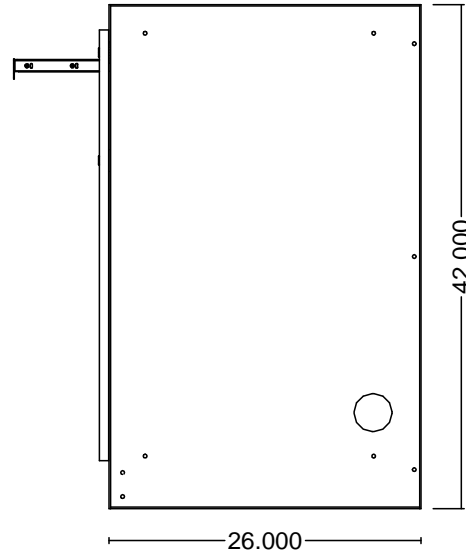
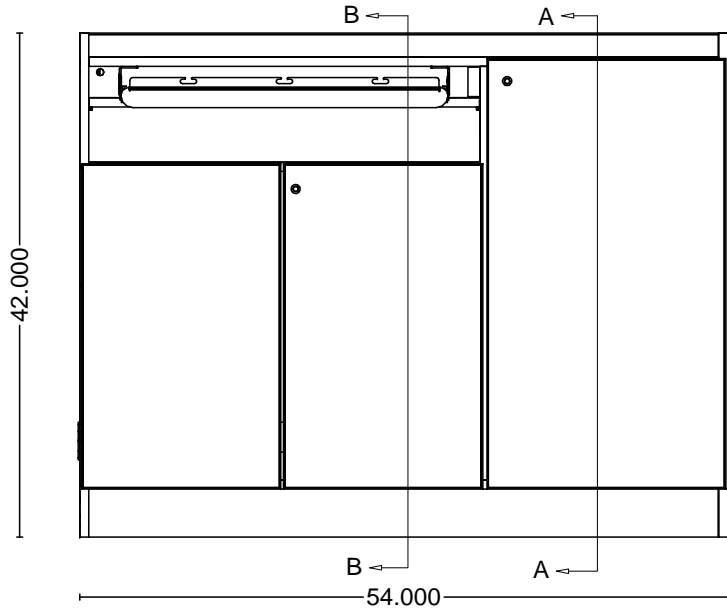
MATERIAL:  
 FINISH:  
 EDGE:



REVISIONS				TOLERANCES	PART NAME		
SYM	DATE	BY	DESCRIPTION	UNLESS SPECIFIED OTHERWISE DECIMALS	MFP-363042-LKF	DRWN BY:	
				.X : _____	DATE:	CAD NO.	
				.XX : _____	SCALE:	CNC NO.	
				.XXX : _____	CHK'D BY:		
				ANGLE : _____	NOTICE: This drawing is the property of GBT Supply, Inc. dba SMARTdesks and contains proprietary information that is not to be used except in the consideration of bids or proposals tendered herewith. Reproductions or copying of the drawing, in whole or in part, is prohibited.		
						PRODUCT GROUP	
						800.770.7042 www.Smartdesks.com	
						DRAWING NO. PO# 9731	REV. 



MATERIAL:  
 FINISH:  
 EDGE:



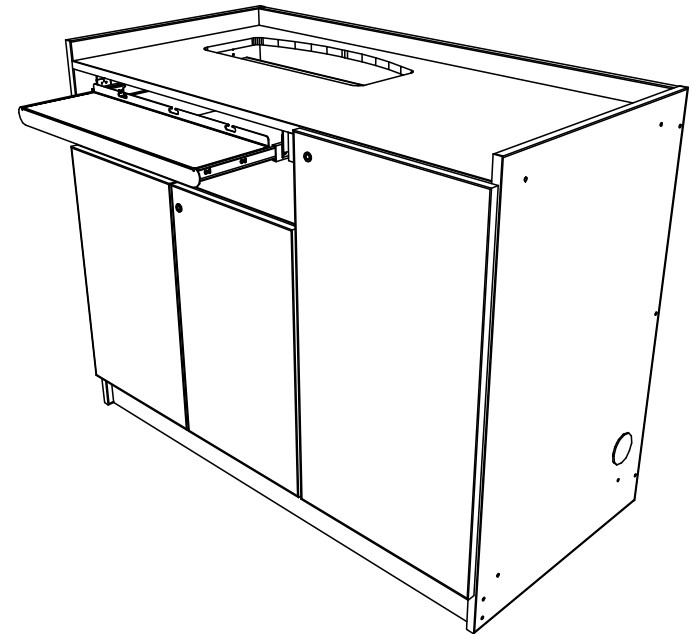
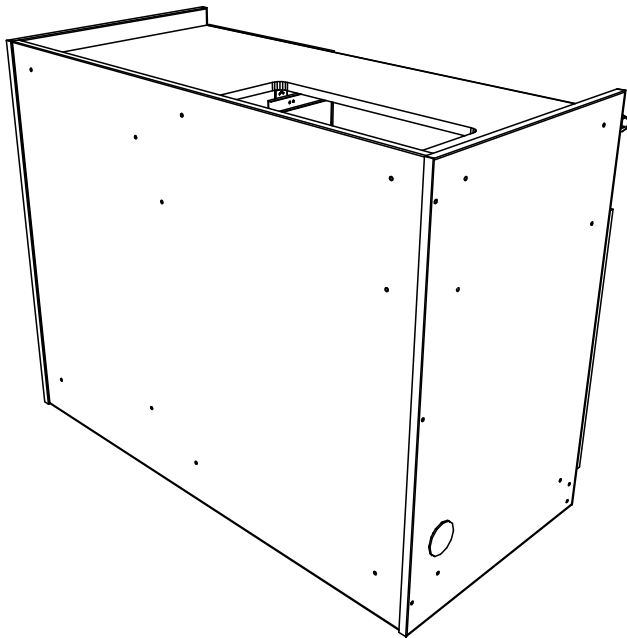
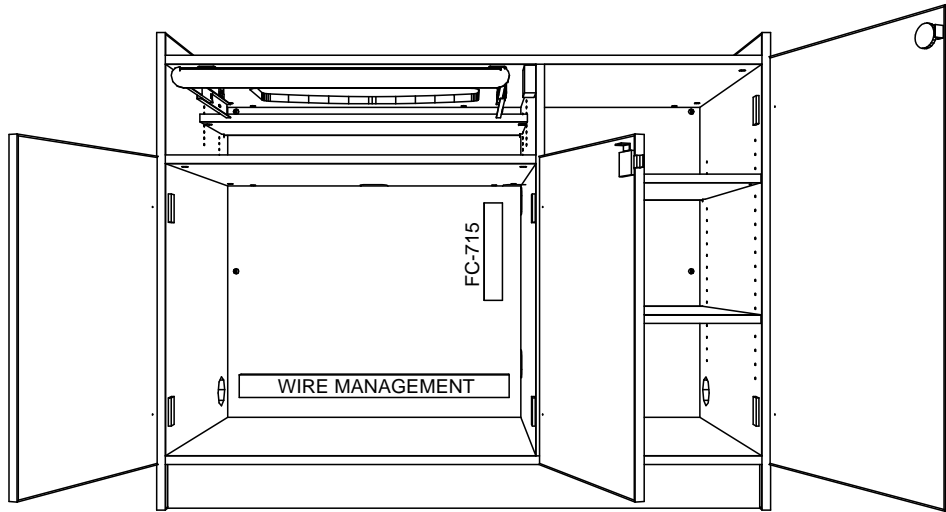
REVISIONS			
SYM	DATE	BY	DESCRIPTION

TOLERANCES	
UNLESS SPECIFIED OTHERWISE	
DECIMALS	
.X	: —
.XX	: —
.XXX	: —
ANGLE	: —

PART NAME		MFP-542642-LKF	
DATE:	DRWN BY:		
SCALE:	CAD NO.:		
CHK'D BY:	CNC NO.:		
<small>NOTICE: This drawing is the property of GBT Supply, Inc. dba SMARTdesks and containing proprietary information that is not to be used except in the consideration of bids or proposals tendered herewith. Reproductions or copying of the drawing, in whole or in part, is prohibited.</small>			

 <small>where design meets technology™</small>	
800.770.7042 <a href="http://www.Smartdesks.com">www.Smartdesks.com</a>	
<small>PRODUCT GROUP</small> DRAWING NO. <b>PO# 7226</b>	<small>REV.</small> REV.

MATERIAL:  
 FINISH:  
 EDGE:



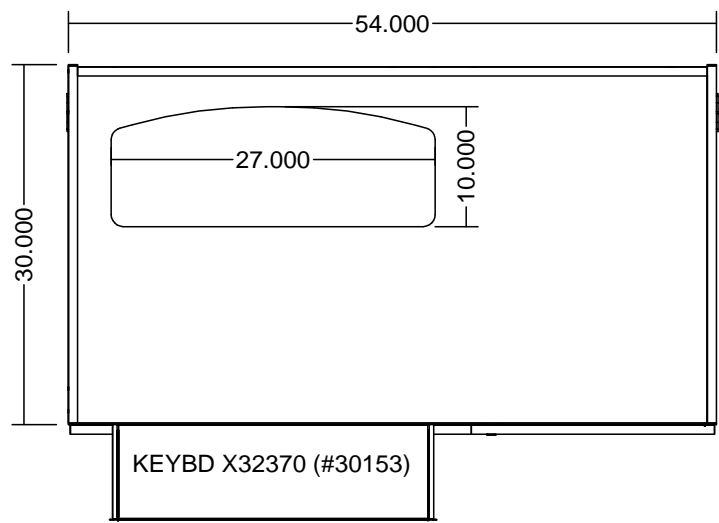
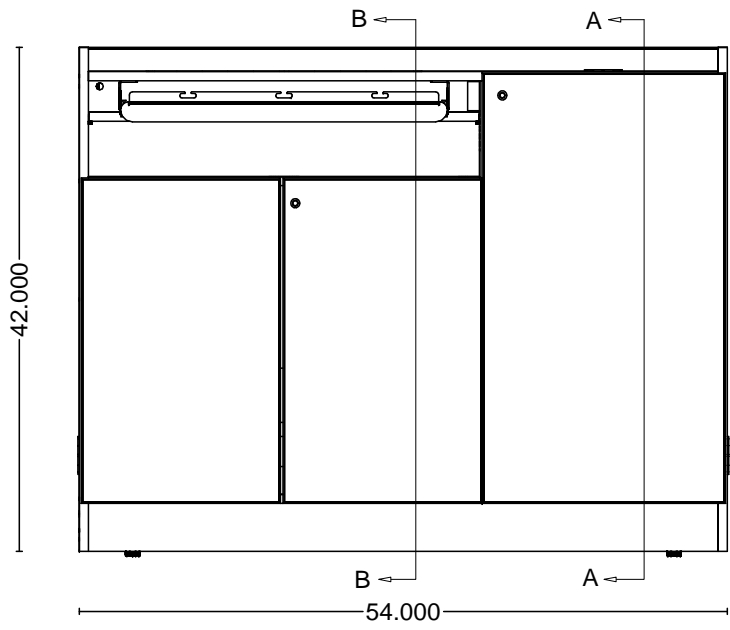
REVISIONS				TOLERANCES UNLESS SPECIFIED OTHERWISE DECIMALS	PART NAME	DRAWN BY:	
SYM	DATE	BY	DESCRIPTION			DATE:	CAD NO.

MFP-542642-LKF	
SCALE:	CAD NO.
CHK'D BY:	CNC NO.

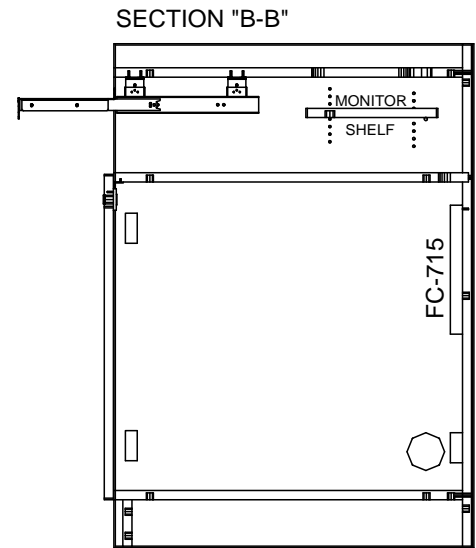
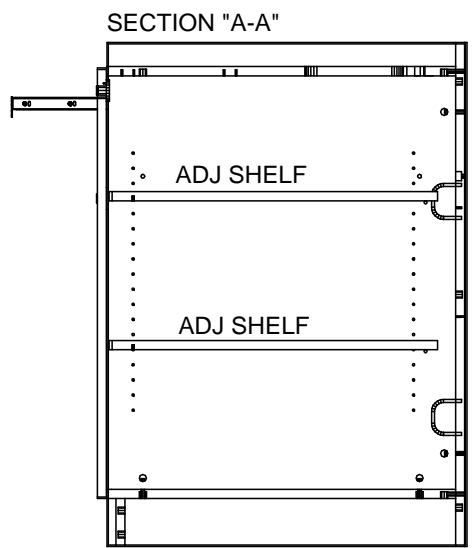
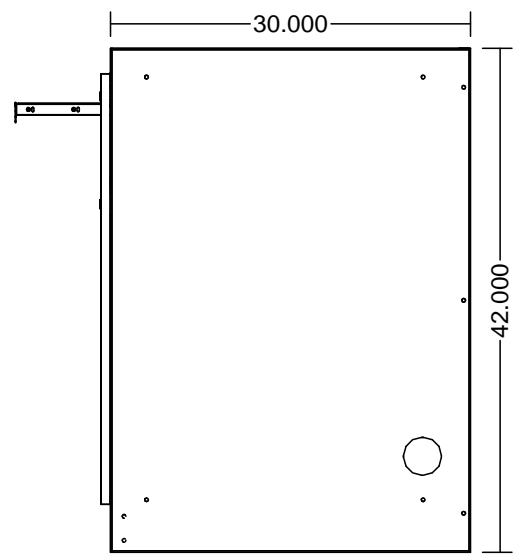
NOTICE: This drawing is the property of GBT Supply, Inc. dba SMARTdesks and contains proprietary information that is not to be used except in the consideration of bids or proposals tendered herewith. Reproductions or copying of the drawing, in whole or in part, is prohibited.

**SMARTDESKS**  
 where design meets technology™  
 800.770.7042  
 www.Smartdesks.com

PRODUCT GROUP	DRAWING NO.	REV.
	PO# 7226	



MATERIAL:  
 FINISH:  
 EDGE:

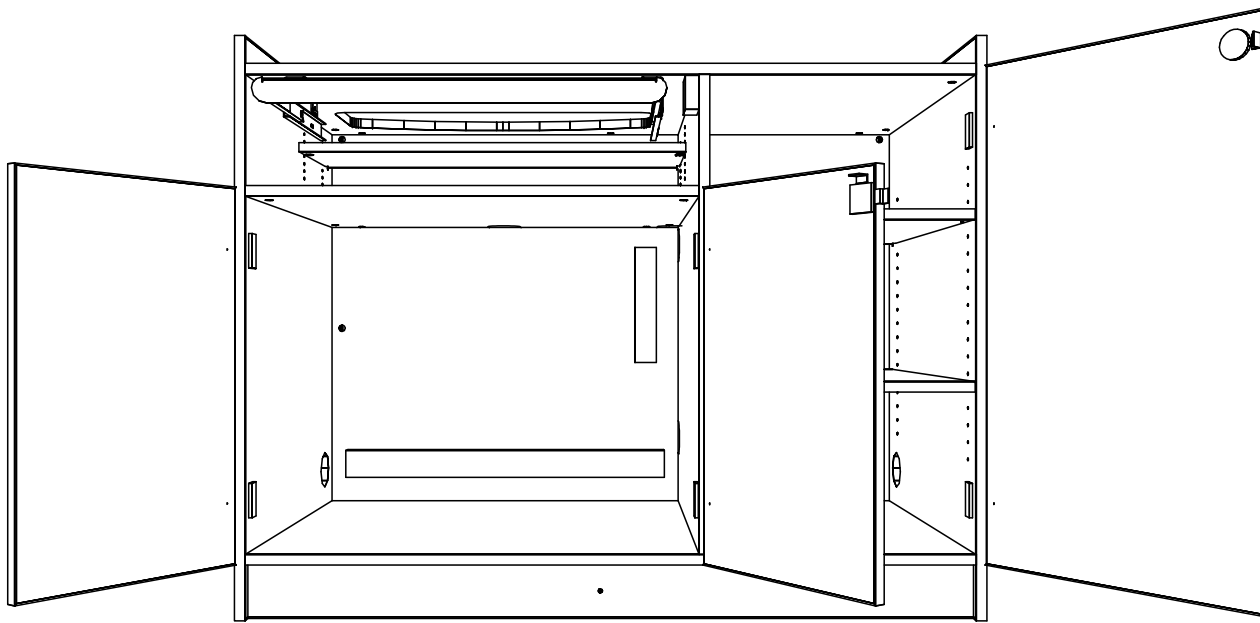


REVISIONS			
SYM	DATE	BY	DESCRIPTION

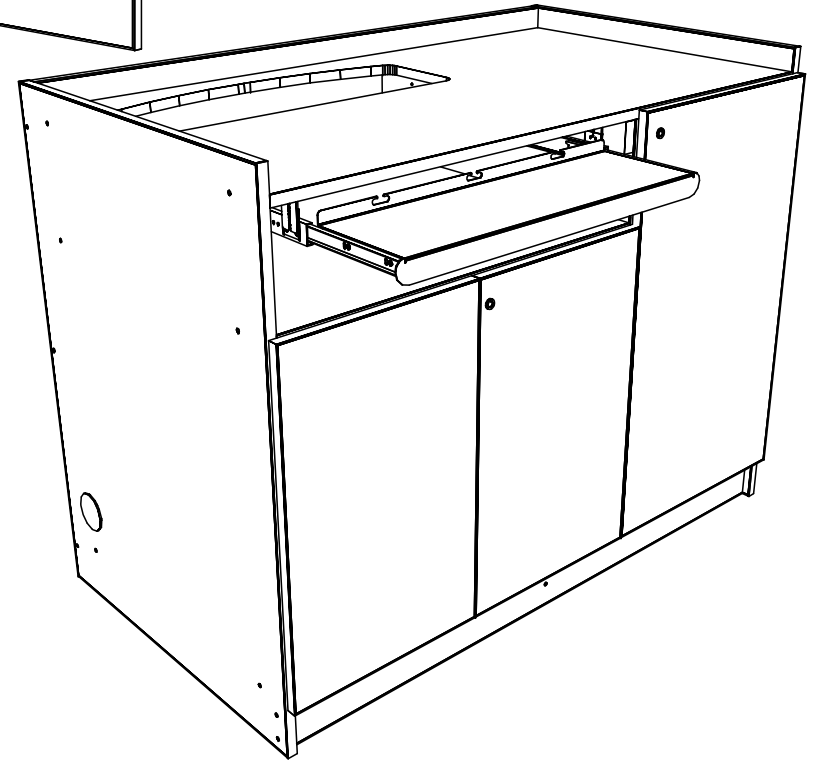
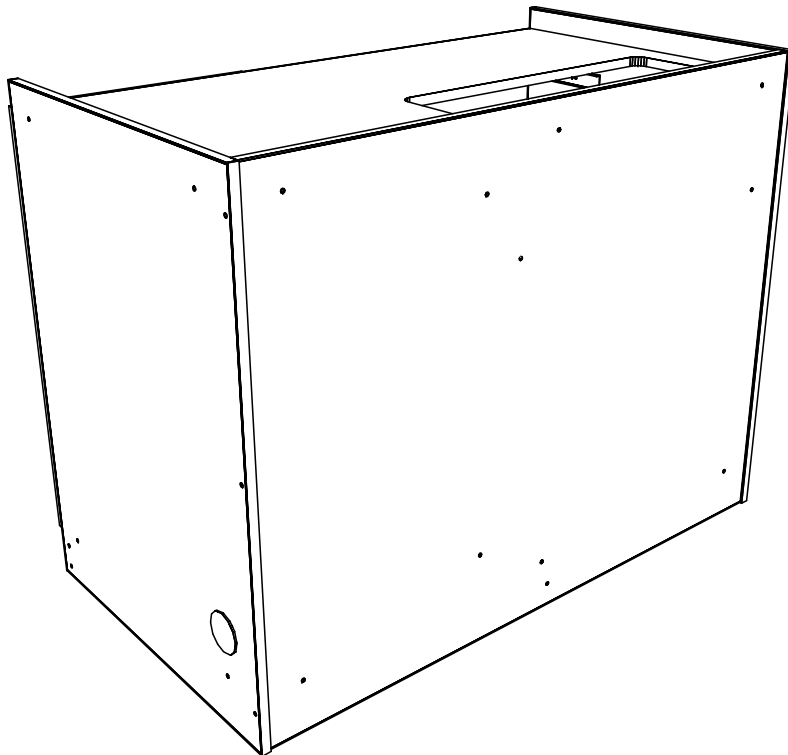
TOLERANCES	
UNLESS SPECIFIED OTHERWISE	
DECIMALS	
.X	: —
.XX	: —
.XXX	: —
ANGLE	: —

PART NAME		<b>MFP-543042-LKF</b>	
DATE:	DRWN BY:		
SCALE:	CAD NO.:		
CHK'D BY:	CNC NO.:		
<small>NOTICE: This drawing is the property of GBT Supply, Inc. dba Smartdesks and contains proprietary information that is not to be used except in the consideration of bids or proposals tendered herewith. Reproductions or copying of the drawing, in whole or in part, is prohibited.</small>			

  
 where design meets technology™  
 800.770.7042  
 www.Smartdesks.com  
PRODUCT GROUP  
 DRAWING NO. **PO# 8769**      REV.



MATERIAL:  
 FINISH:  
 EDGE:



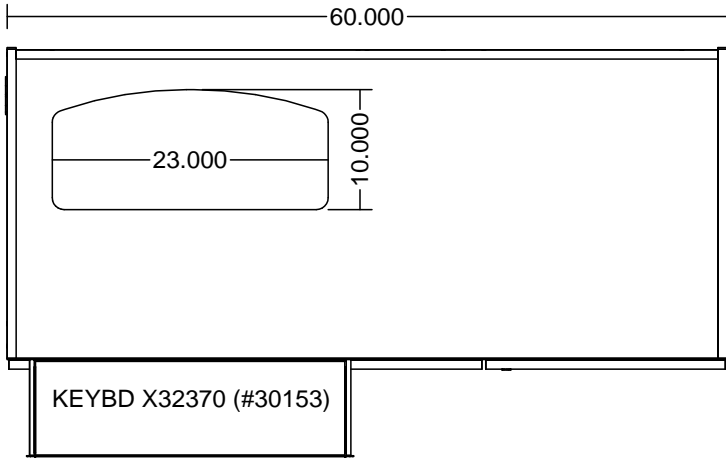
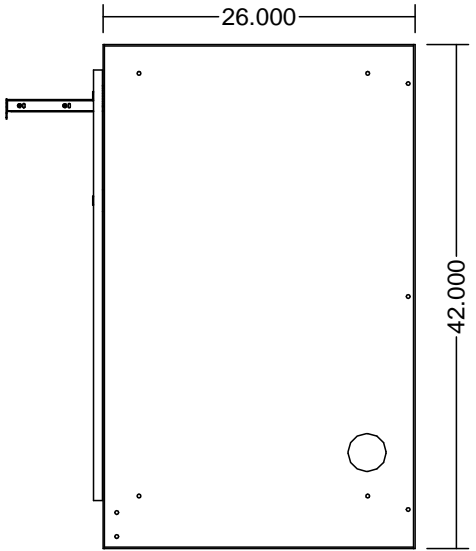
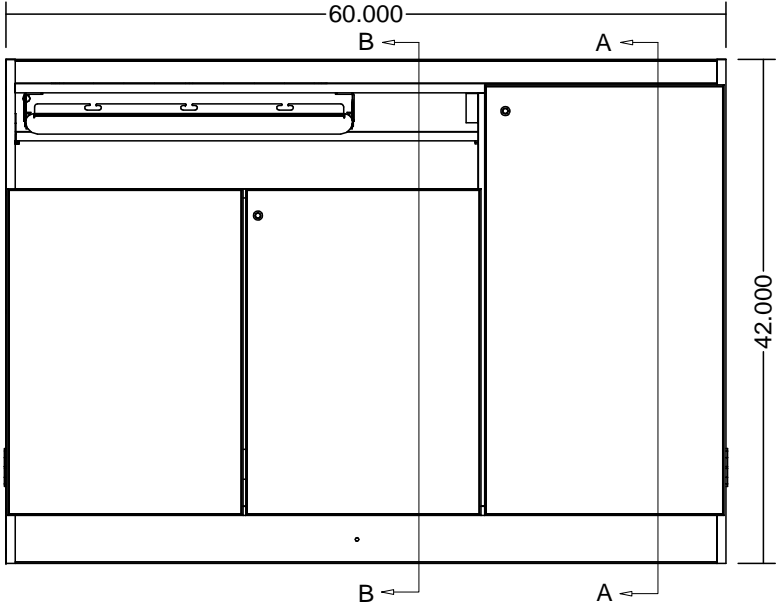
REVISIONS			
SYM	DATE	BY	DESCRIPTION

TOLERANCES	
UNLESS SPECIFIED OTHERWISE	DECIMALS
.X	
.XX	
.XXX	
ANGLE	

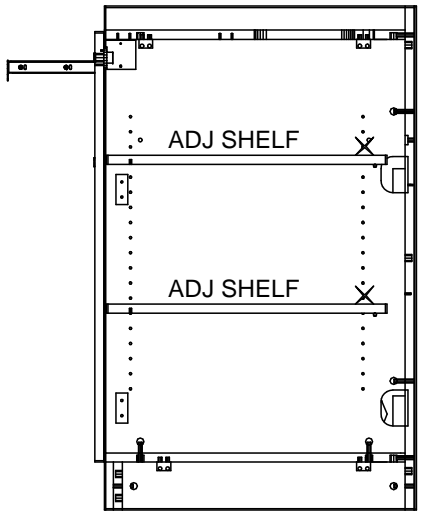
PART NAME		MFP-543042-LKF	
DATE:	DRWN BY:	SCALE:	CAD NO.:
CHK'D BY:	CNC NO.:	NOTICE: This drawing is the property of GBT Supply, Inc. dba SMARTdesks and contains proprietary information that is not to be used except in the consideration of bids or proposals tendered herewith. Reproductions or copying of the drawing, in whole or in part, is prohibited.	

  
 where design meets technology™  
 800.770.7042  
[www.Smartdesks.com](http://www.Smartdesks.com)  
 PRODUCT GROUP  
 DRAWING NO. PO# 8769  
 REV.

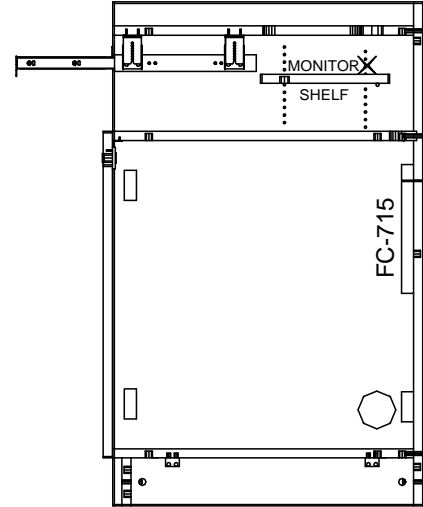
MATERIAL:  
 FINISH:  
 EDGE:



SECTION "A-A"

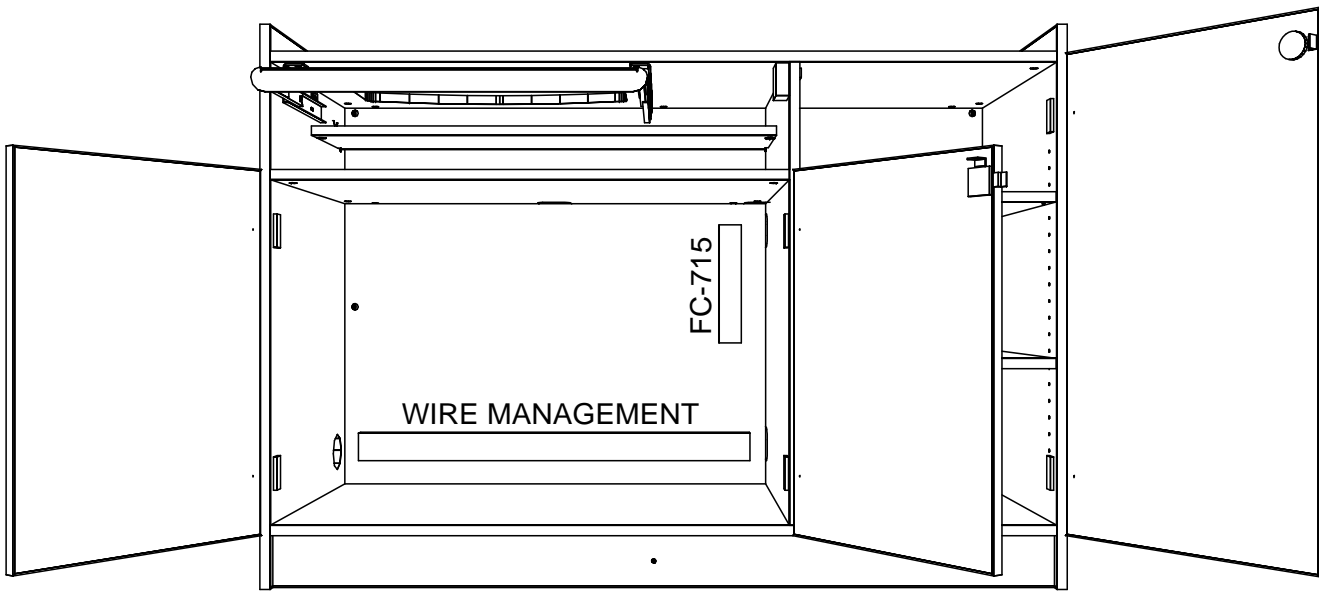


SECTION "B-B"

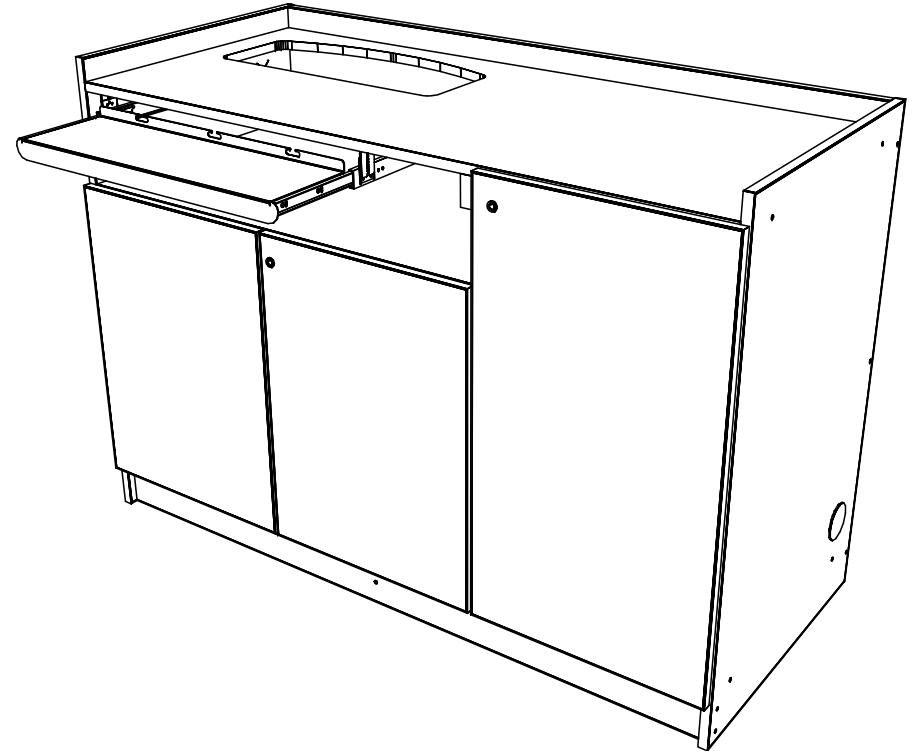
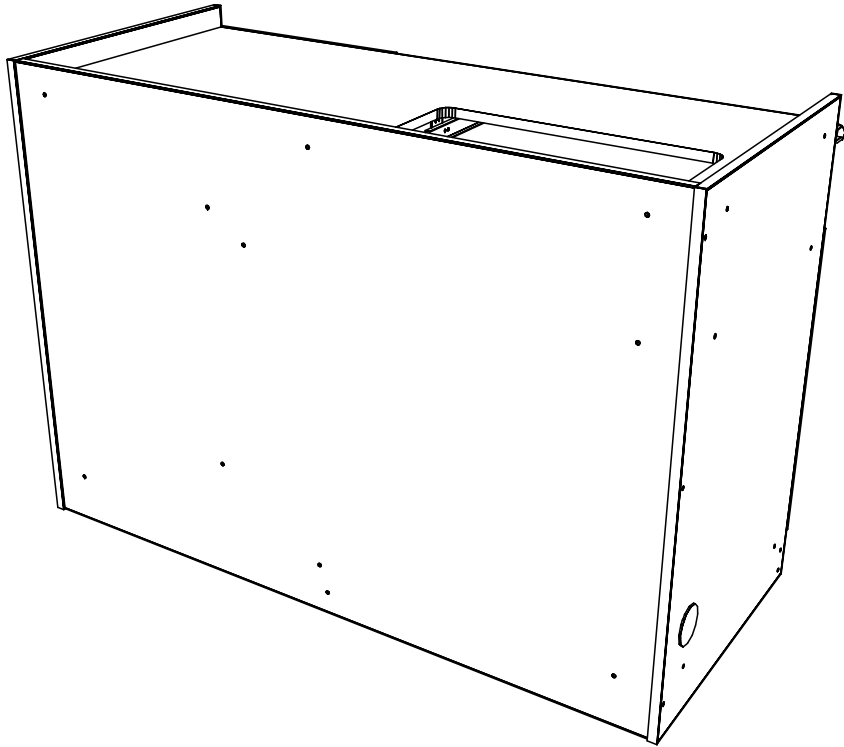


REVISIONS				TOLERANCES	PART NAME	
SYM	DATE	BY	DESCRIPTION	UNLESS SPECIFIED OTHERWISE	MFP-603042-LKF	
				DECIMALS	DATE:	DRWN BY:
				.X : ___	SCALE:	CAD NO.
				.XX : ___	CHK'D BY:	CNC NO.
				.XXX : ___	NOTICE: This drawing is the property of GBT Supply, Inc. dba SMARTdesks and containing proprietary information that is not to be used except in the consideration of bids or proposals tendered herewith. Reproductions or copying of the drawing, in whole or in part, is prohibited.	
				ANGLE : ___	PRODUCT GROUP	
					DRAWING NO. PO# 8829	
					REV.	





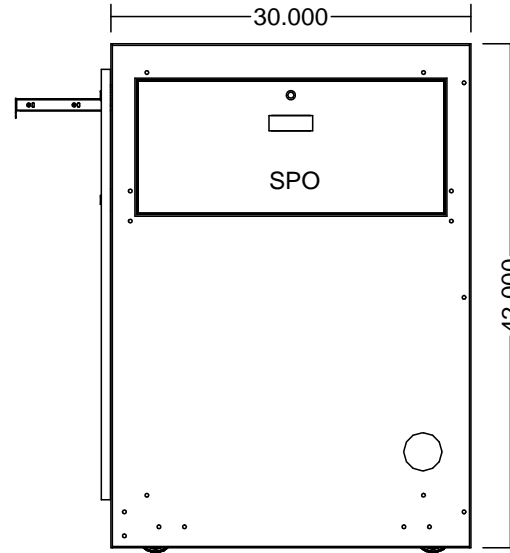
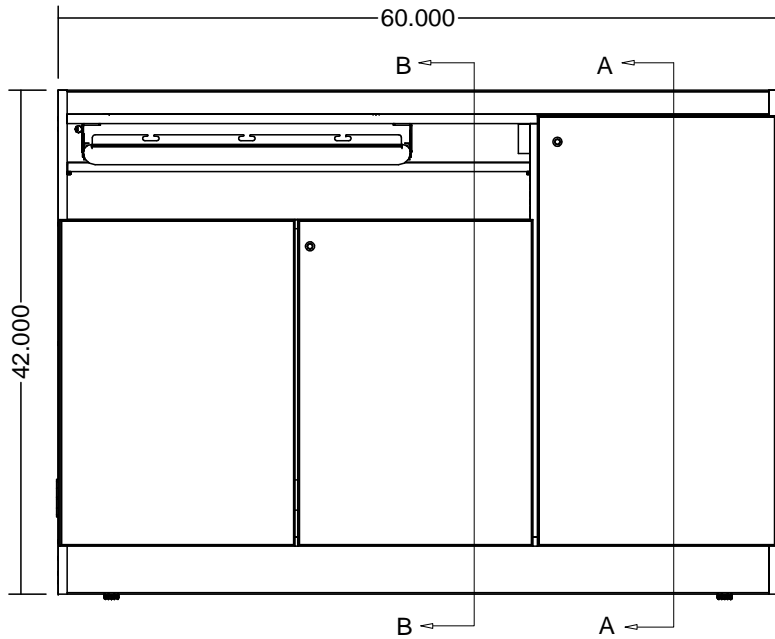
MATERIAL:  
 FINISH:  
 EDGE:



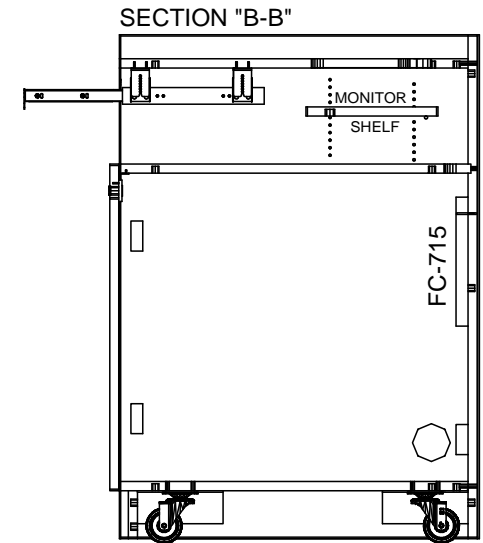
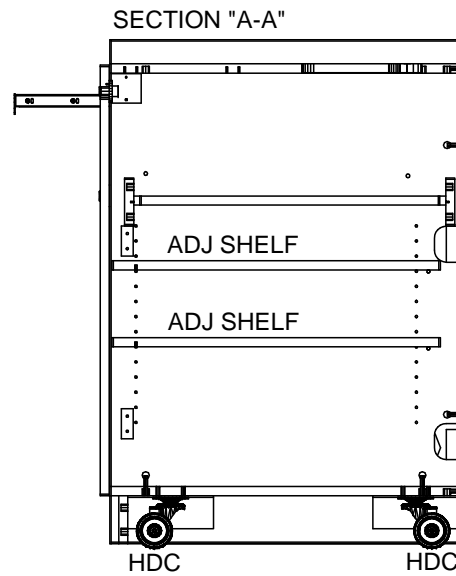
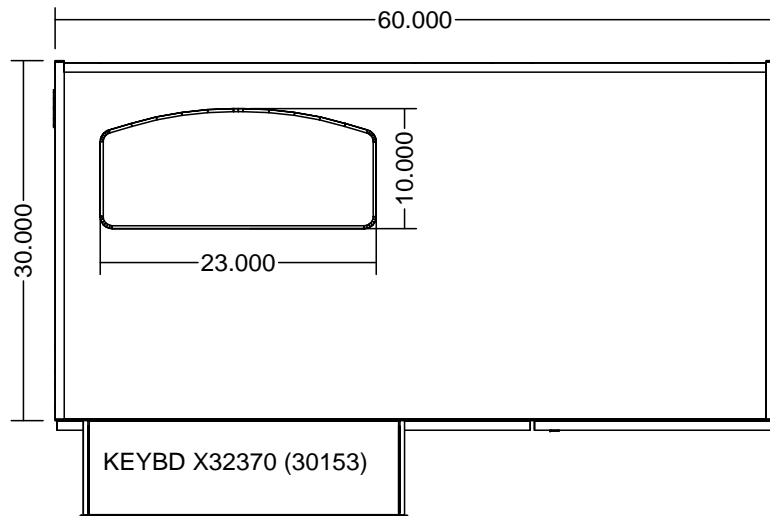
REVISIONS				TOLERANCES	PART NAME
SYM	DATE	BY	DESCRIPTION	UNLESS SPECIFIED OTHERWISE DECIMALS	MFP-603042-LKF
				.X : —	DATE: _____
				.XX : —	SCALE: _____
				.XXX : —	CHK'D BY: _____
				ANGLE : —	DRWN BY: _____
					CAD NO. _____
					CNC NO. _____


  

<small>NOTICE: This drawing is the property of GBT Supply, Inc. dba SMARTdesks and contains proprietary information that is not to be used except in the consideration of bids or proposals tendered herewith. Reproductions or copying of the drawing, in whole or in part, is prohibited.</small>		<small>PRODUCT GROUP</small> <b>SMARTDESKS</b> <small>where design meets technology™</small> 800.770.7042 <a href="http://www.Smartdesks.com">www.Smartdesks.com</a>
DRAWING NO.	REV.	
PO# 8829		



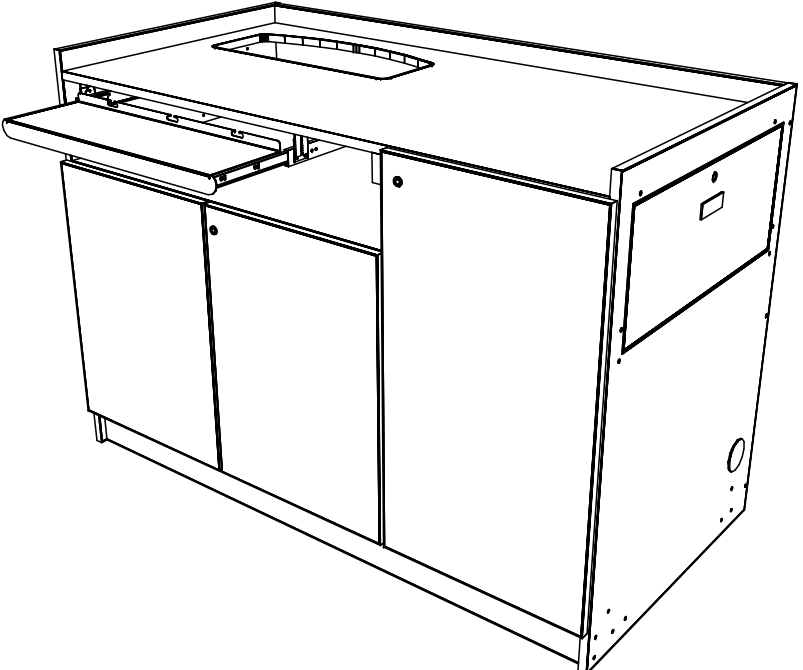
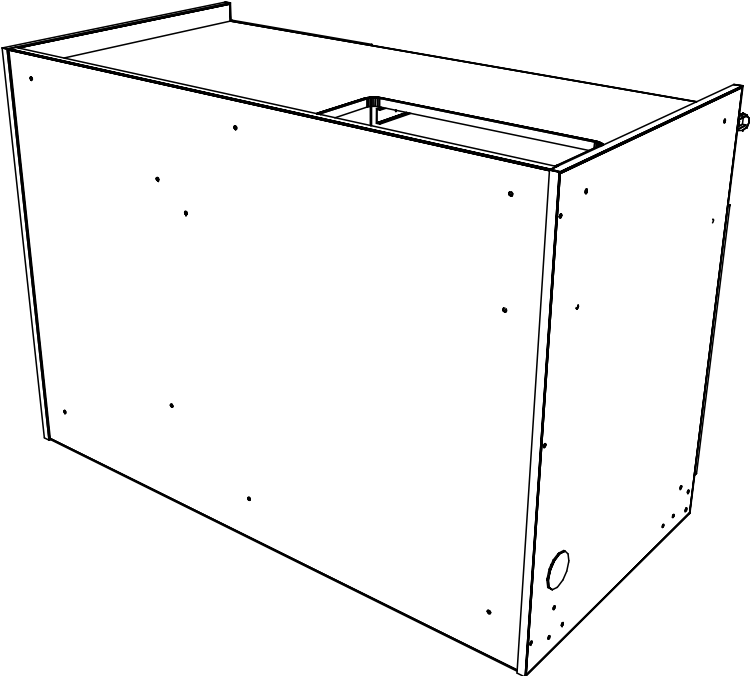
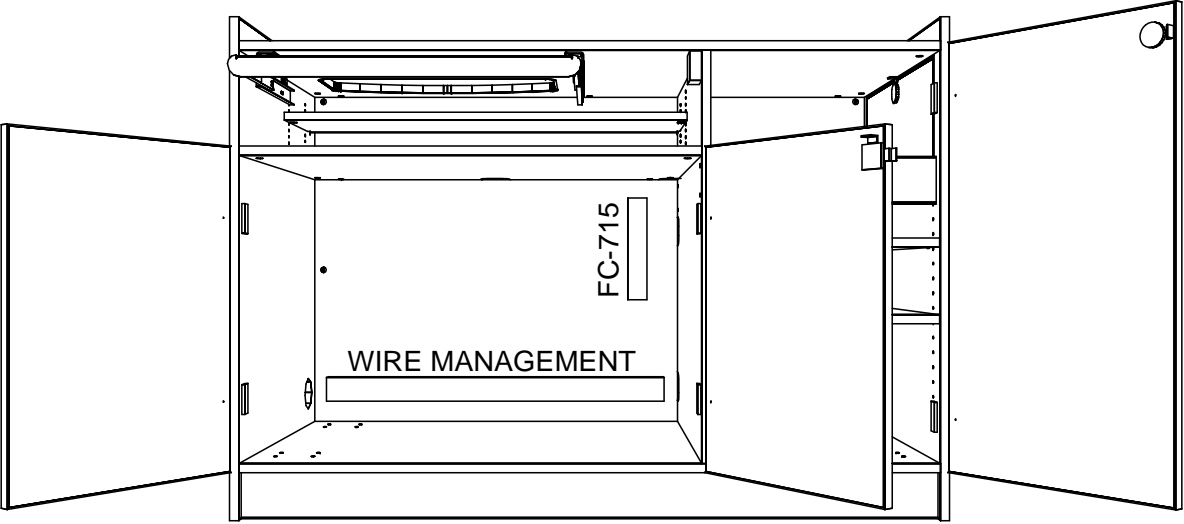
MATERIAL:  
FINISH:  
EDGE:




REVISIONS				TOLERANCES	PART NAME	SMARTDESKS	
SYM	DATE	BY	DESCRIPTION	UNLESS SPECIFIED OTHERWISE	MFP-603042-LKF	where design meets technology™	
				DECIMALS	DATE: 07/28/15	DRWN BY:	 800.770.7042 www.Smartdesks.com
				.X : —	SCALE:	CAD NO.	
				.XX : —	CHK'D BY:	CNC NO.	
				.XXX : —	NOTICE: This drawing is the property of CBT Supply, Inc. dba SMARTdesks and contains proprietary information that is not to be used except in the consideration of bids or proposals tendered herewith. Reproductions or copying of the drawing, in whole or in part, is prohibited.		
				ANGLE : —	PRODUCT GROUP DRAWING NO. PO# 8959		
					REV.		



MATERIAL:  
 FINISH:  
 EDGE:



REVISIONS				TOLERANCES UNLESS SPECIFIED OTHERWISE	PART NAME MFP-603042-LKF		 <small>where design meets technology™</small> 800.770.7042 <a href="http://www.Smartdesks.com">www.Smartdesks.com</a>
SYM	DATE	BY	DESCRIPTION		DATE: 07/28/15	DRWN BY:	
				DECIMALS	SCALE:	CAD NO.	<small>PRODUCT GROUP</small> DRAWING NO. <b>PO# 8959</b>
				.X : _____	CHK'D BY:	CNC NO.	
				.XX : _____	<small>NOTICE: This drawing is the property of GBT Supply, Inc. dba SMARTdesks and contains proprietary information that is not to be used except in the consideration of bids or proposals tendered herewith. Reproductions or copying of the drawing, in whole or in part, is prohibited.</small>		
				.XXX : _____			
				ANGLE : _____			REV.