

MLT Series Laptop Podiums S P E C I F I C A T I O N S

SKU: PL-MLT

The MLT Series of laptop computer lecterns and stand-up computer podiums are designed to support laptop and notebook computers on top of the work surface in a comfortable position for teaching. Built for the modern electronic learning environment, each MLT includes a power and data port with duplex outlet and network connections, making it easy to bring your presentation and data into the classroom. An elegant solution for your classroom and lecture hall offering more options and value for cost-conscious budgets.

Make it your own:

- Available in a range of sizes
- Customize around your exact requirements with an array of options, including:
 - Heavy-duty casters
 - Task lights
 - Rack-mount rails
 - Power/data ports for laptops
 - Security solutions
 - Pullout and flip-up doc-cam and projector shelves
 - Ventilation fans
- Select from a broad range of colors and finishes for a custom look

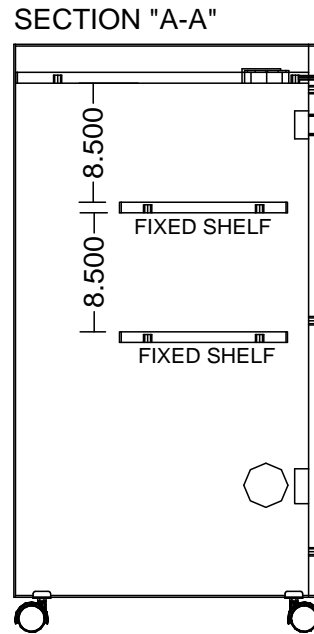
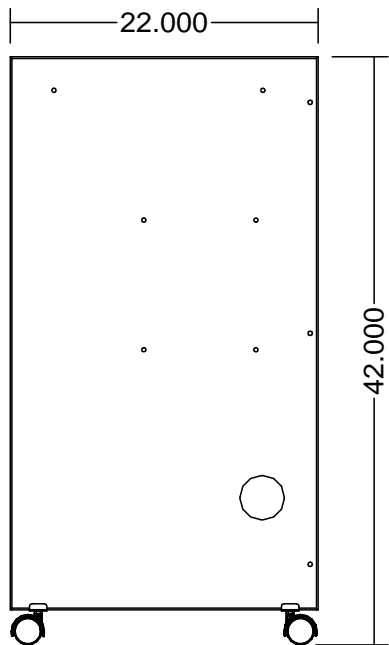
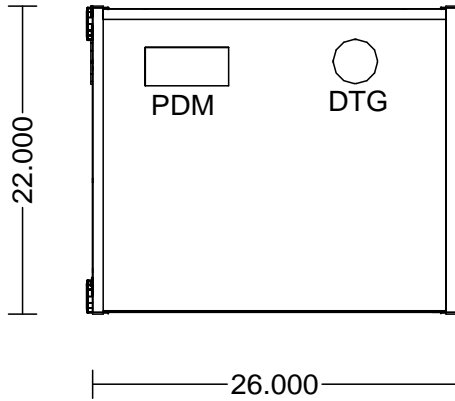
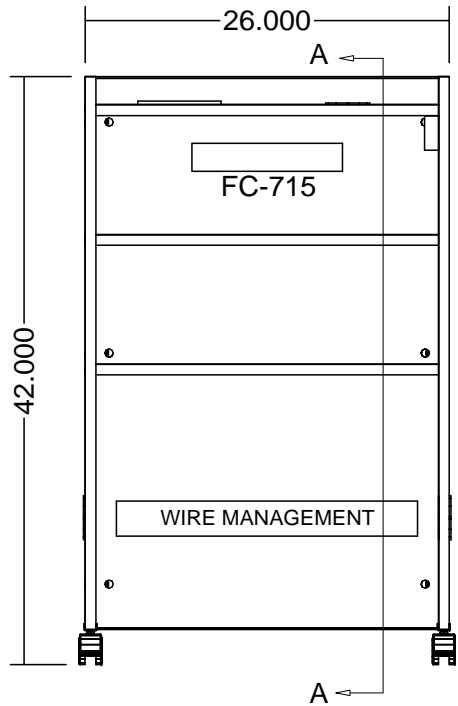


800 770 7042 | www.smartdesks.com

SMARTDESKS[®]

where design meets technologysm

MATERIAL:
 FINISH:
 EDGE:



REVISIONS			
SYM	DATE	BY	DESCRIPTION

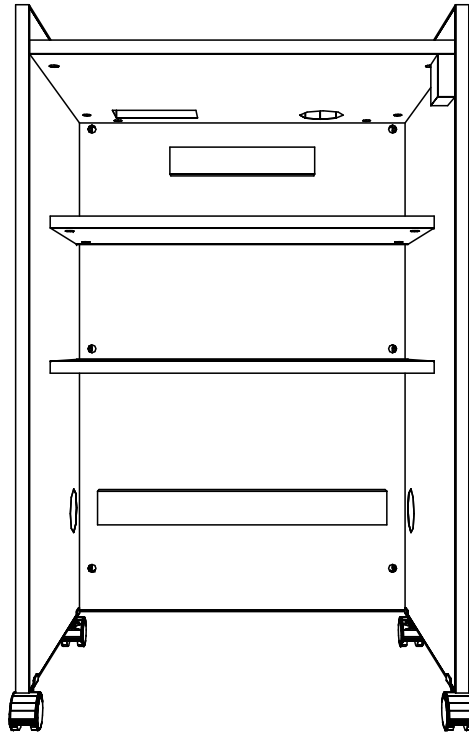
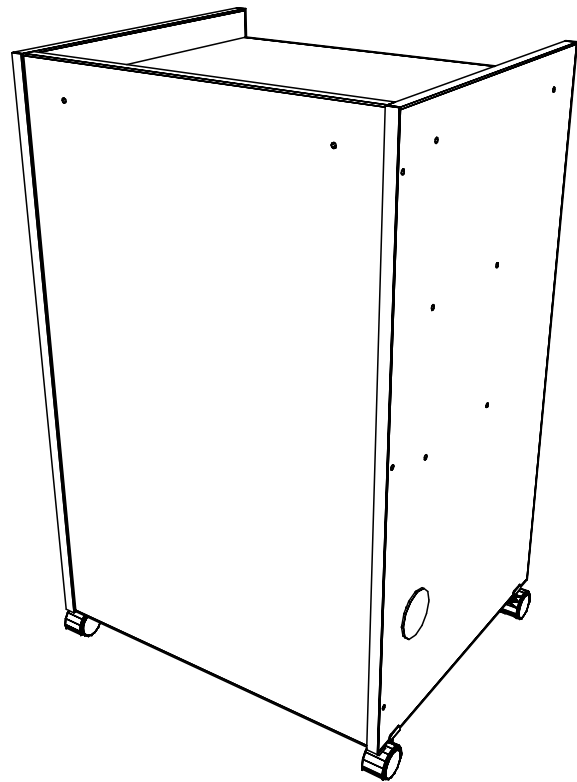
TOLERANCES	
UNLESS SPECIFIED OTHERWISE	
DECIMALS	
.X	: ___
.XX	: ___
.XXX	: ___
ANGLE	: ___

PART NAME		MLT-262242-XXL	
DATE:		DRWN BY:	
SCALE:		CAD NO.:	
CHK'D BY:		CNC NO.:	
<small>NOTICE: This drawing is the property of GBT Supply, Inc. dba SMARTdesks and containing proprietary information that is not to be used except in the consideration of bids or proposals tendered herewith. Reproductions or copying of the drawing, in whole or in part, is prohibited.</small>			


where design meets technology™
 800.770.7042
www.Smartdesks.com

PRODUCT GROUP:
 DRAWING NO. **PO# 8965** REV.

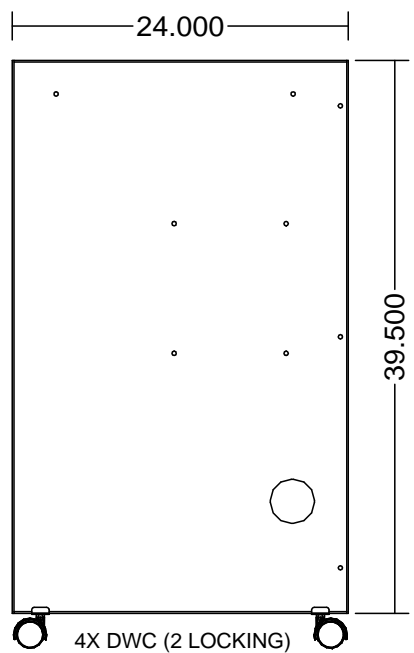
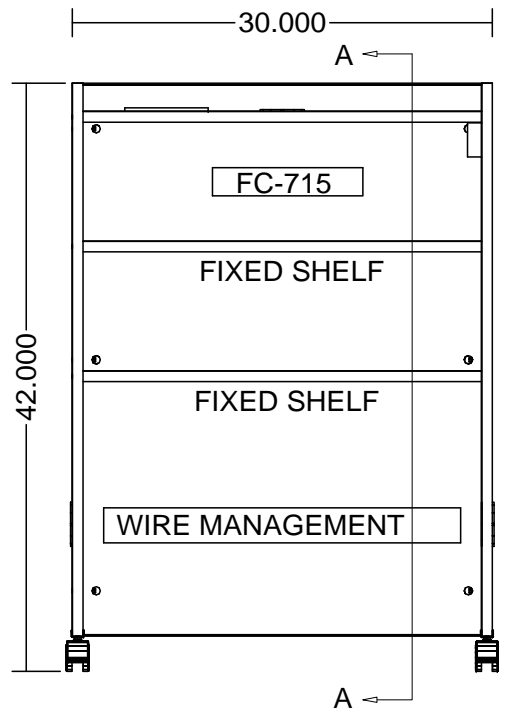
MATERIAL:
 FINISH:
 EDGE:



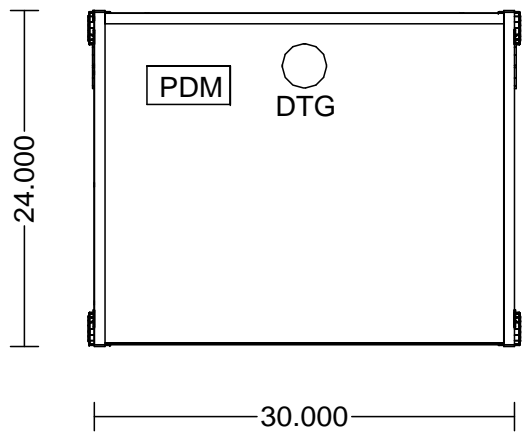
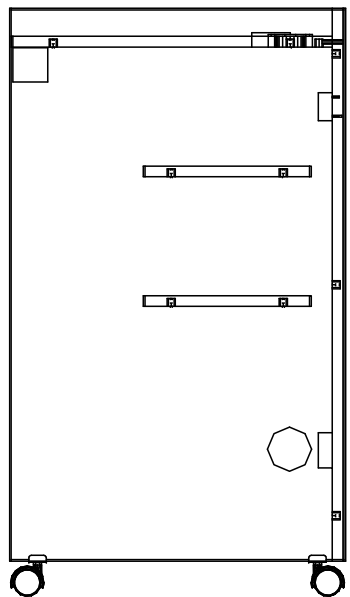
REVISIONS				TOLERANCES	PART NAME	
SYM	DATE	BY	DESCRIPTION	UNLESS SPECIFIED OTHERWISE	MLT-262242-XXL	
				DECIMALS	DATE:	DRWN BY:
				.X : _____	SCALE:	CAD NO.:
				.XX : _____	CHK'D BY:	CNC NO.:
				.XXX : _____	NOTICE: This drawing is the property of CRT Supply, Inc. dba SMARTdesks and containing proprietary information that is not to be used except in the consideration of bids or proposals tendered herewith. Reproductions or copying of the drawing, in whole or in part, is prohibited.	
				ANGLE : _____	PRODUCT GROUP	
					DRAWING NO. PO# 8965	
					REV.	



MATERIAL:
 FINISH:
 EDGE:



SECTION "A-A"



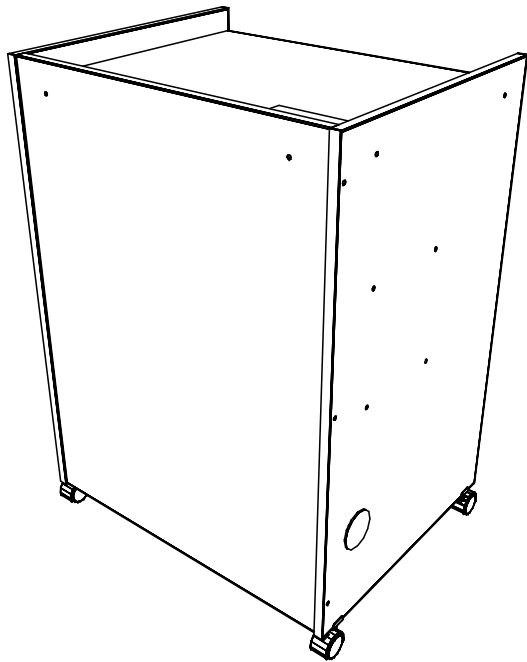
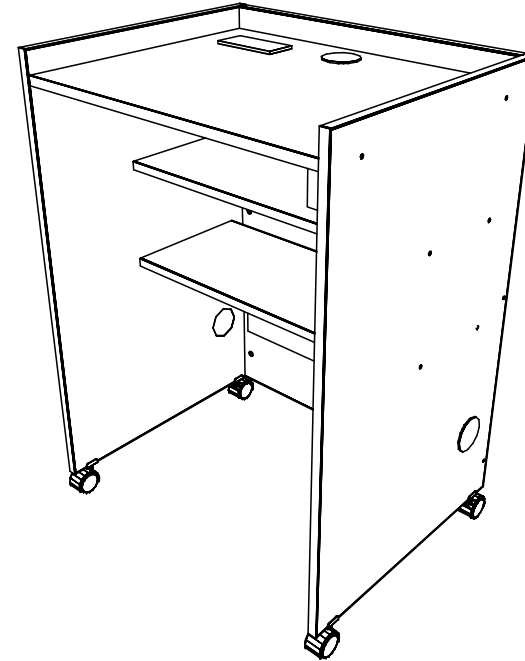
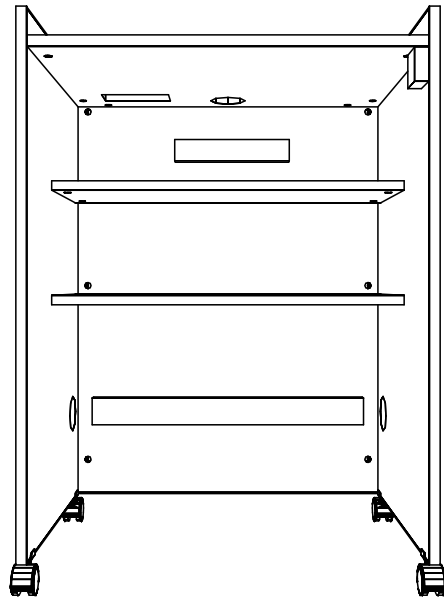
REVISIONS			
SYM	DATE	BY	DESCRIPTION

TOLERANCES	
UNLESS SPECIFIED OTHERWISE	
DECIMALS	
.X	: —
.XX	: —
.XXX	: —
ANGLE	: —

PART NAME	
MLT-302442-xxL	
DATE:	DRWN BY:
SCALE:	CAD NO.:
CHK'D BY:	CNC NO.:
NOTICE: This drawing is the property of GBT Supply, Inc. dba SMARTdesks and contains proprietary information that is not to be used except in the consideration of bids or proposals tendered herewith. Reproductions or copying of the drawing, in whole or in part, is prohibited.	


 where design meets technology™
 800.770.7042
 www.Smartdesks.com
 PRODUCT GROUP: _____
 DRAWING NO. **PO# 7847** REV. _____

MATERIAL:
 FINISH:
 EDGE:

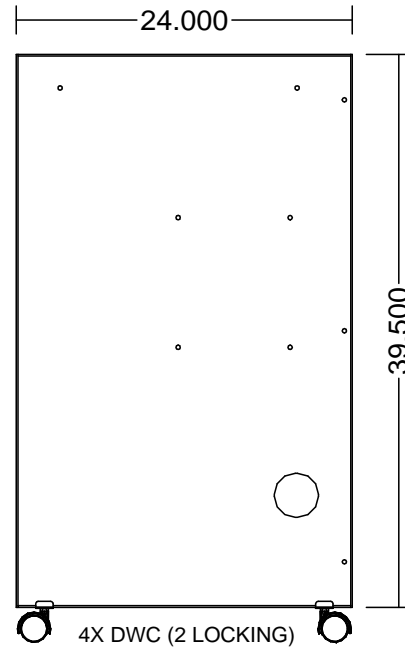
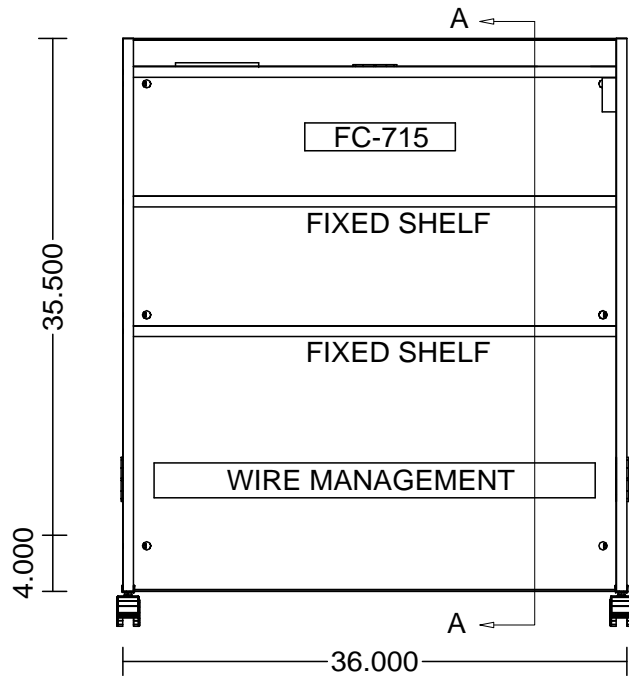


REVISIONS				TOLERANCES	PART NAME	
SYM	DATE	BY	DESCRIPTION	UNLESS SPECIFIED OTHERWISE	MLT-302442-xxL	
				DECIMALS	DATE:	DRWN BY:
				.X : _____	SCALE:	CAD NO.:
				.XX : _____	CHK'D BY:	CNC NO.:
				.XXX : _____	NOTICE: This drawing is the property of GBT Supply, Inc. dba SMARTdesks and contains proprietary information that is not to be used except in the consideration of bids or proposals tendered herewith. Reproductions or copying of the drawing, in whole or in part, is prohibited.	
				ANGLE : _____	PRODUCT GROUP	
					DRAWING NO. PO# 7847	
					REV.	

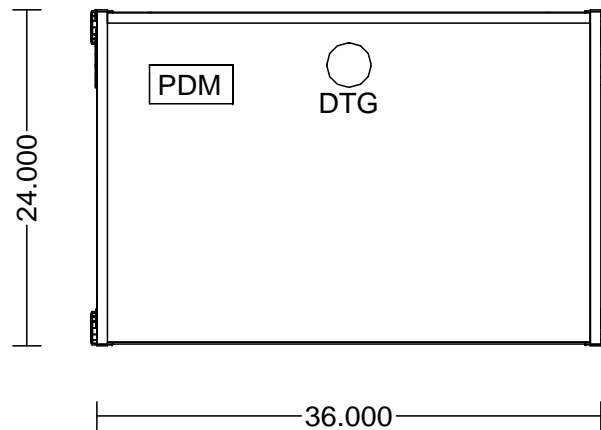
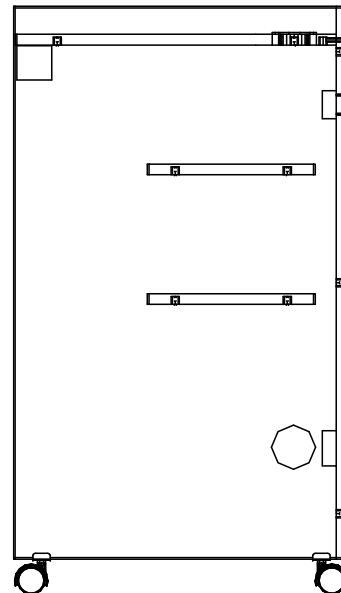


800.770.7042
 www.Smartdesks.com

MATERIAL:
 FINISH:
 EDGE:



SECTION "A-A"



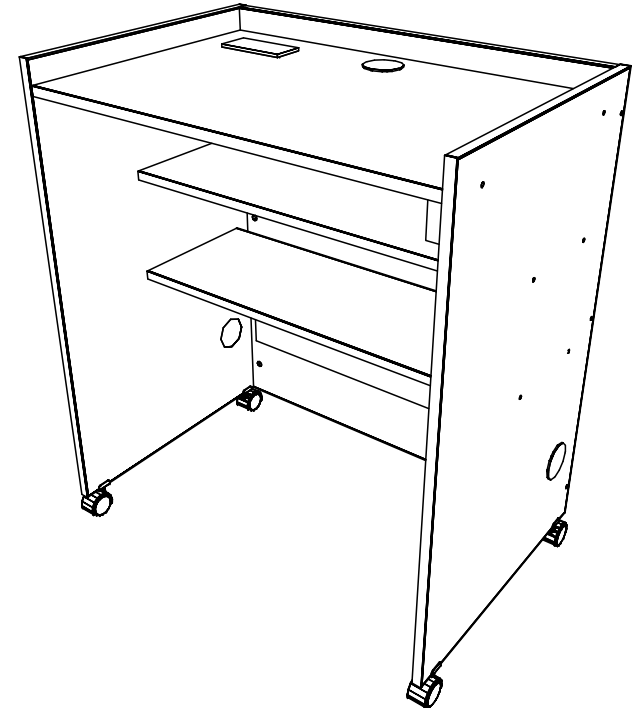
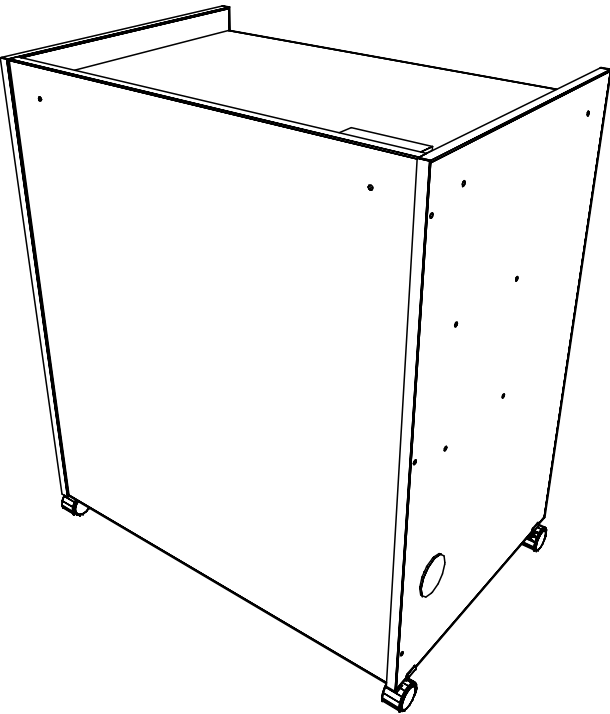
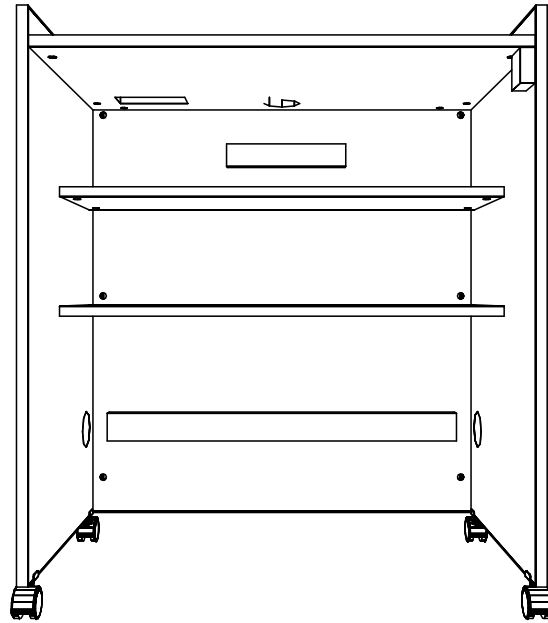
REVISIONS			
SYM	DATE	BY	DESCRIPTION


TOLERANCES	
UNLESS SPECIFIED OTHERWISE	DECIMALS
.X	: .00
.XX	: .01
.XXX	: .005
ANGLE	: .0001

PART NAME	
MLT-362442-xxL	
DATE:	DRWN BY:
SCALE:	CAD NO.:
CHK'D BY:	CNC NO.:
NOTICE: This drawing is the property of GBT Supply, Inc. dba SMARTdesks and contains proprietary information that is not to be used except in the consideration of bids or proposals tendered herewith. Reproductions or copying of the drawing, in whole or in part, is prohibited.	

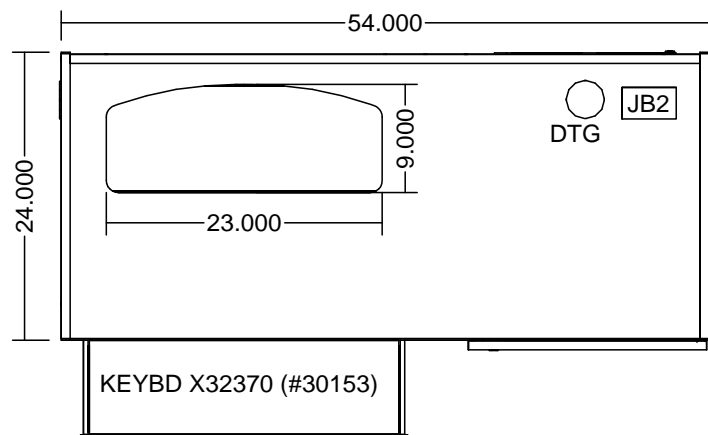
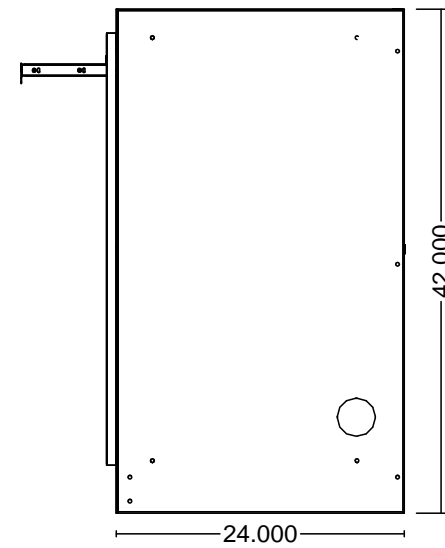
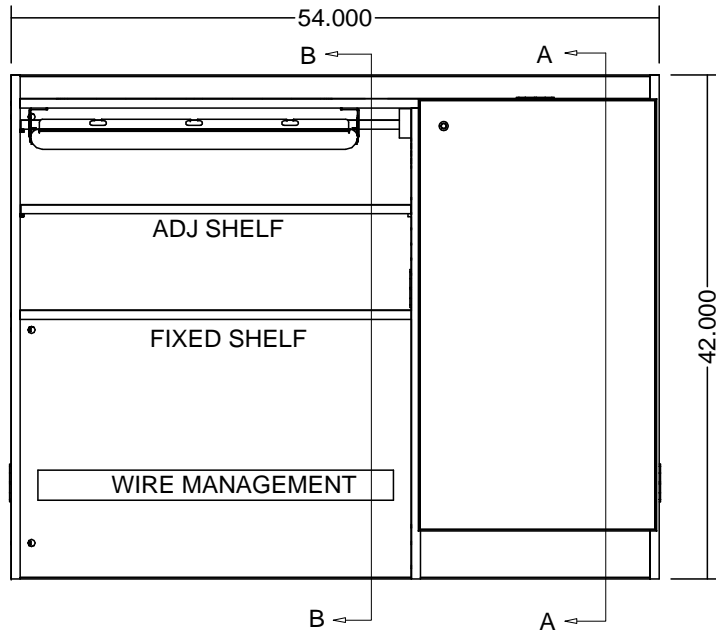

 where design meets technology™
 800.770.7042
 www.Smartdesks.com
 PRODUCT GROUP
 DRAWING NO. PO# 8998
 REV.

MATERIAL:
 FINISH:
 EDGE:

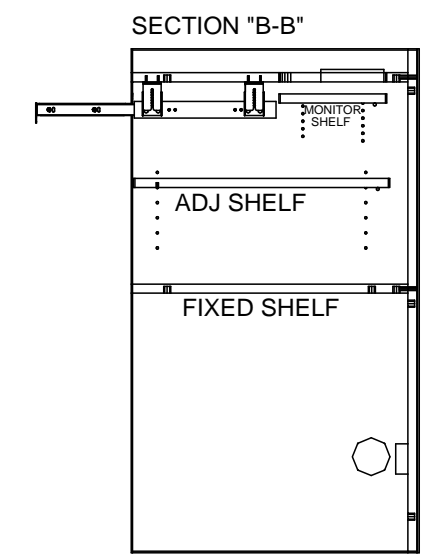
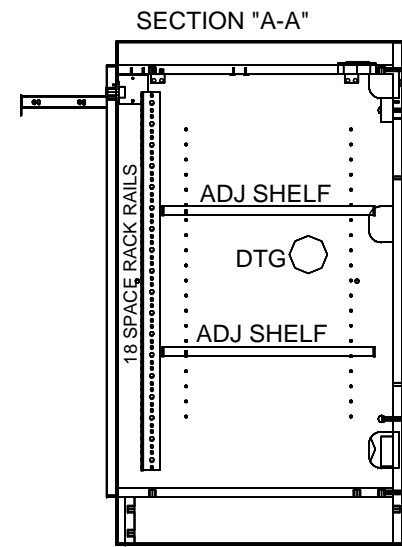


REVISIONS				TOLERANCES	PART NAME	MLT-362442-xxL		 <small>where design meets technology™</small> 800.770.7042 www.Smartdesks.com
SYM	DATE	BY	DESCRIPTION	UNLESS SPECIFIED OTHERWISE	DATE:	DRWN BY:	PRODUCT GROUP	
				DECIMALS	SCALE:	CAD NO.		
				.X : _____	CHK'D BY:	CNC NO.		
				.XX : _____	<small>NOTICE: This drawing is the property of GBT Supply, Inc. dba SMARTdesks and contains proprietary information that is not to be used except in the consideration of bids or proposals tendered herewith. Reproductions or copying of the drawing, in whole or in part, is prohibited.</small>			
				.XXX : _____	DRAWING NO. PO# 8998			
				ANGLE : _____	REV.			

MATERIAL:
 FINISH:
 EDGE:



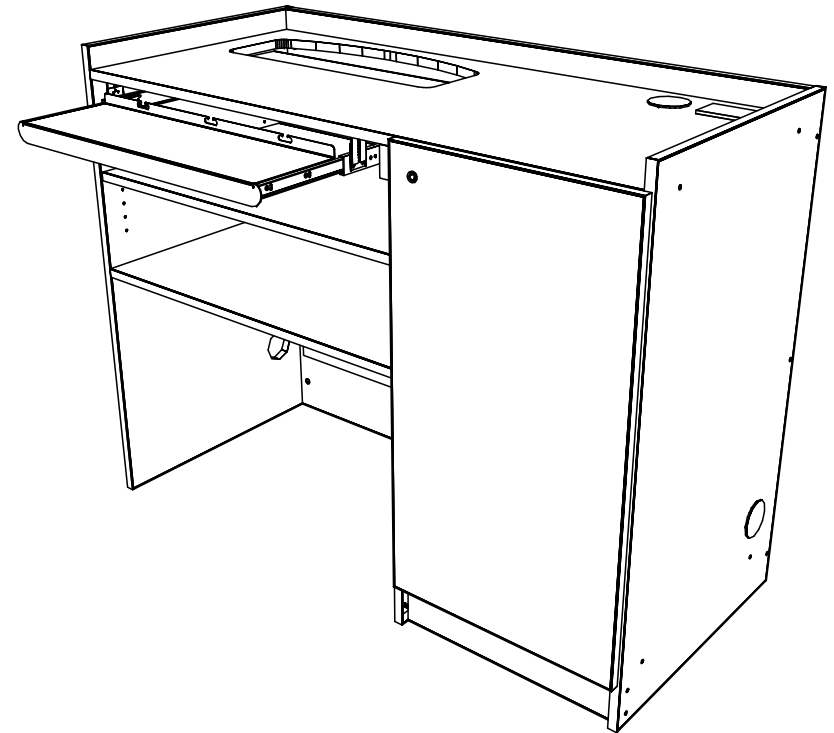
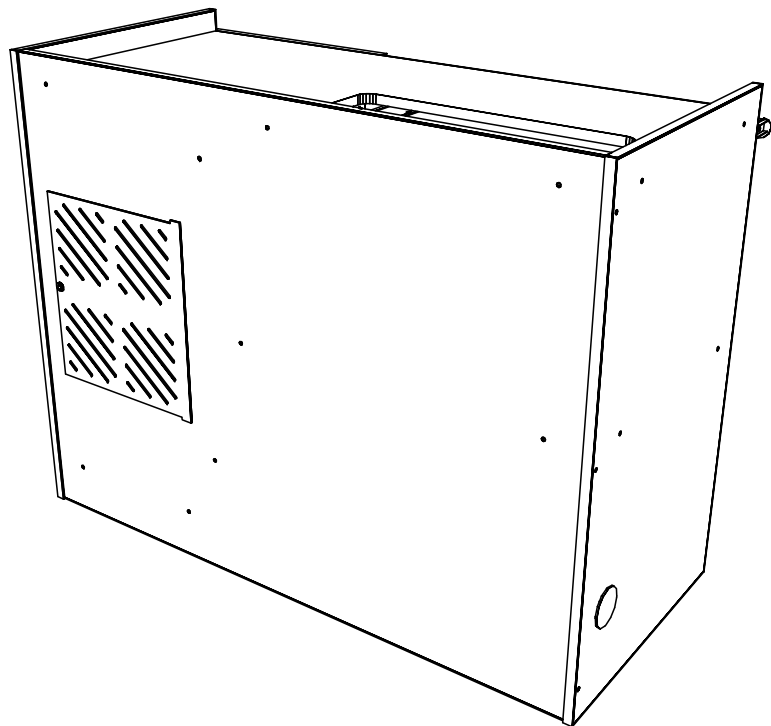
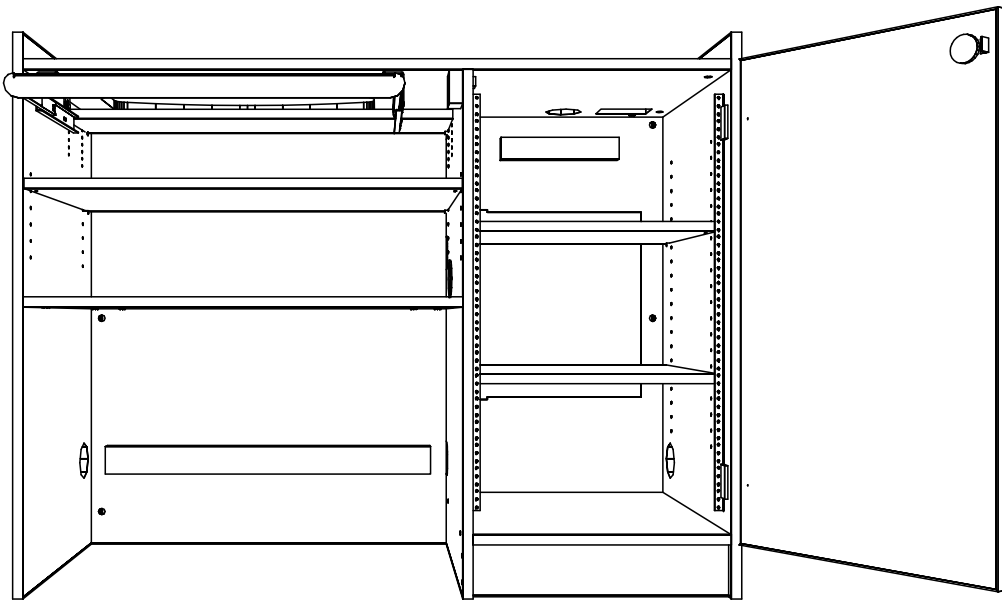
QTY:1




REVISIONS				TOLERANCES	PART NAME	
SYM	DATE	BY	DESCRIPTION	UNLESS SPECIFIED OTHERWISE	MLT-542442-xxL	
				DECIMALS	DATE:	DRWN BY:
				.X : ___	SCALE:	CAD NO.:
				.XX : ___	CHK'D BY:	CNC NO.:
				.XXX : ___	NOTICE: This drawing is the property of GBT Supply, Inc. dba SMARTdesks and containing proprietary information that is not to be used except in the consideration of bids or proposals tendered herewith. Reproductions or copying of the drawing, in whole or in part, is prohibited.	
				ANGLE : ___	PRODUCT GROUP	
					800.770.7042 www.Smartdesks.com	
					DRAWING NO. PO# 8217	
					REV.	

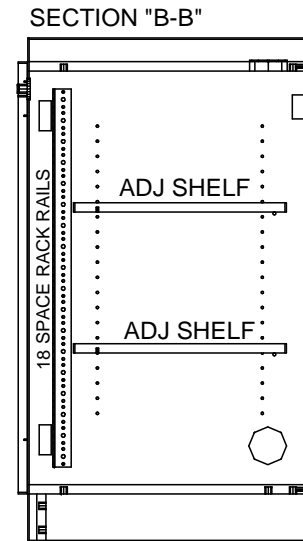
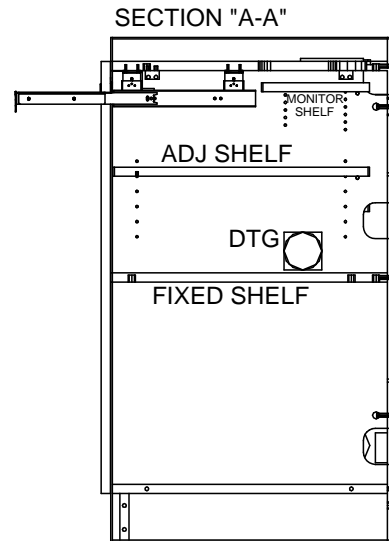
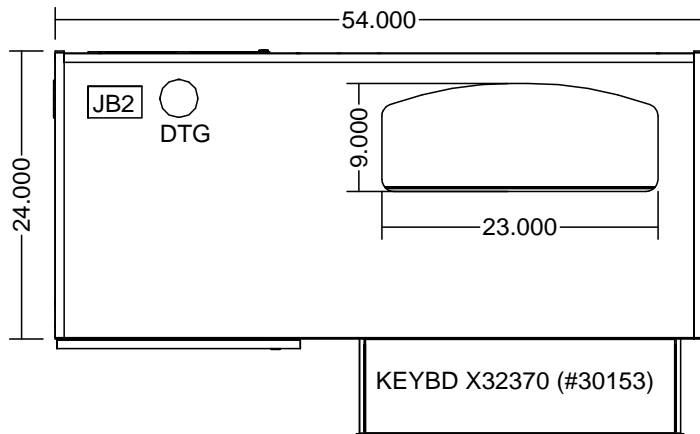
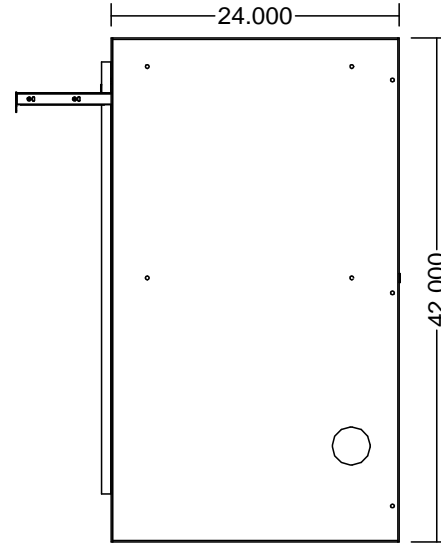
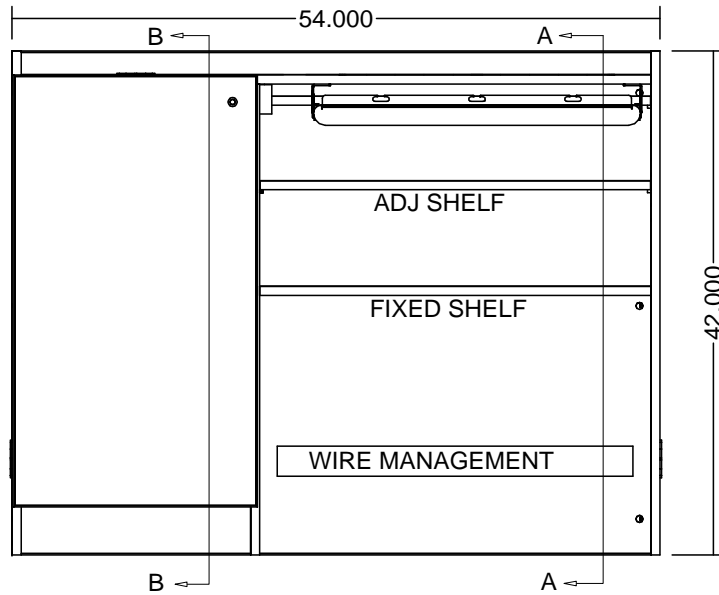


MATERIAL:
 FINISH:
 EDGE:



REVISIONS				TOLERANCES	PART NAME	MLT-542442-xxL		 <small>where design meets technology™</small> 800.770.7042 www.Smartdesks.com
SYM	DATE	BY	DESCRIPTION	UNLESS SPECIFIED OTHERWISE	DATE:	DRWN BY:	PRODUCT GROUP	
				DECIMALS	SCALE:	CAD NO.	<small>NOTICE: This drawing is the property of GBT Supply, Inc. dba SMARTdesks and contains proprietary information that is not to be used except in the consideration of bids or proposals tendered herewith. Reproductions or copying of the drawing, in whole or in part, is prohibited.</small>	
				.X : —	CHK'D BY:	CNC NO.		
				.XX : —				
				.XXX : —				
				ANGLE : —				
							DRAWING NO.	REV.
							PO# 8217	

MATERIAL:
 FINISH:
 EDGE:



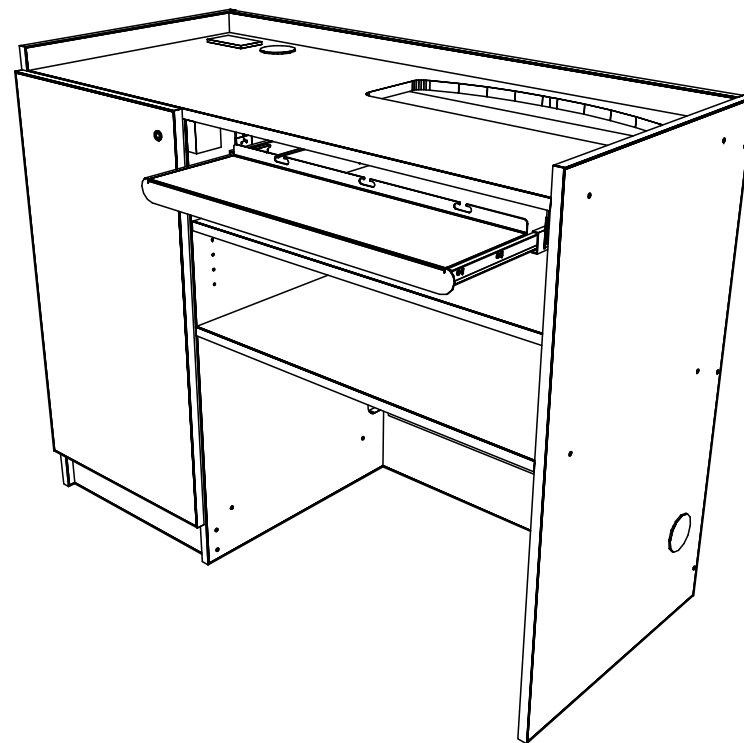
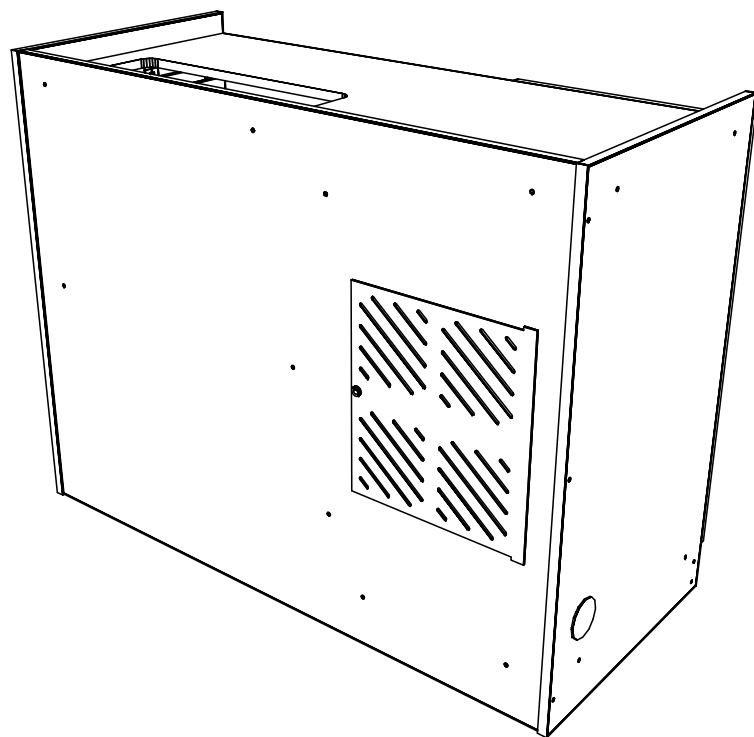
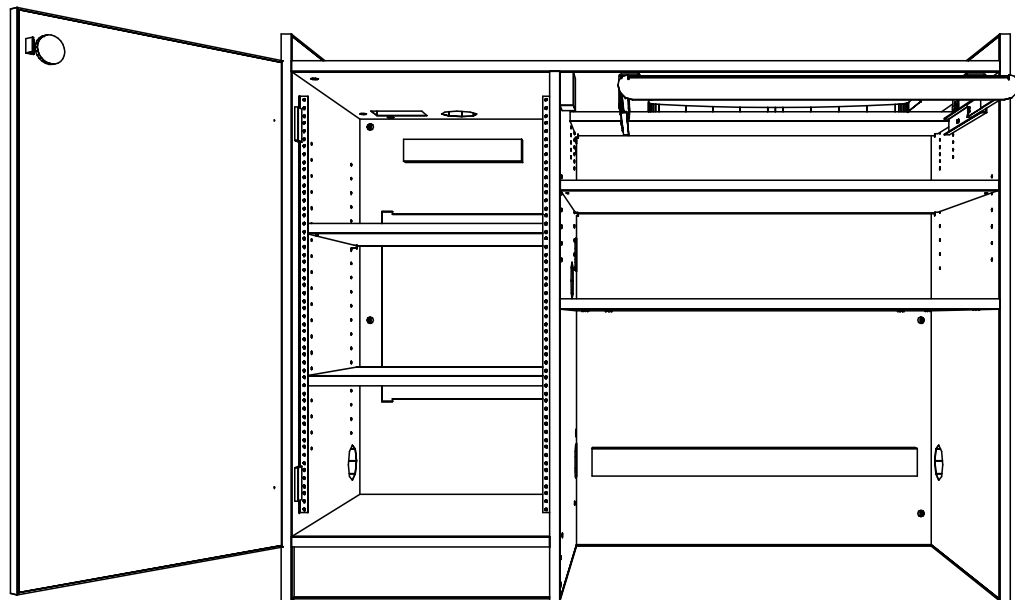
REVISIONS			
SYM	DATE	BY	DESCRIPTION

TOLERANCES	
UNLESS SPECIFIED OTHERWISE	
DECIMALS	
.X	
.XX	
.XXX	
ANGLE	

PART NAME	
MLT-542442-xxL/R	
DATE:	DRWN BY:
SCALE:	CAD NO.:
CHK'D BY:	CNC NO.:
NOTICE: This drawing is the property of GBT Supply, Inc. dba SMARTdesks and contains proprietary information that is not to be used except in the consideration of bids or proposals tendered herewith. Reproductions or copying of the drawing, in whole or in part, is prohibited.	


 where design meets technology™
 800.770.7042
 www.Smartdesks.com
 PRODUCT GROUP
 DRAWING NO. PO# 8217
 REV.

MATERIAL:
 FINISH:
 EDGE:



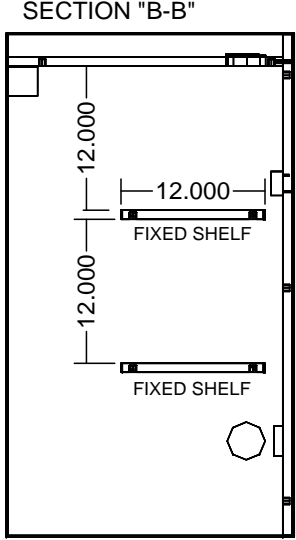
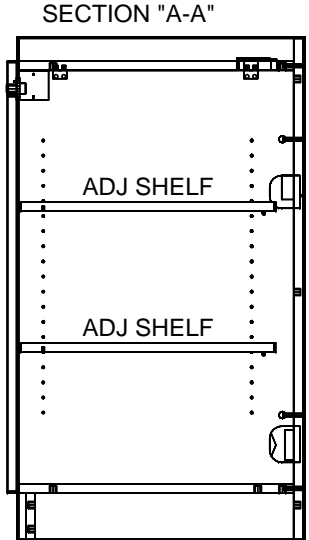
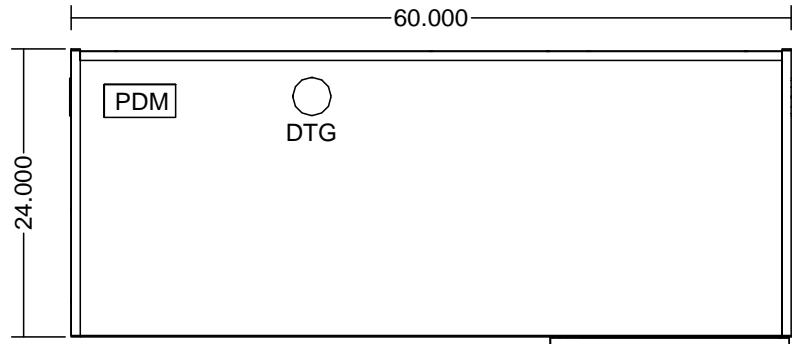
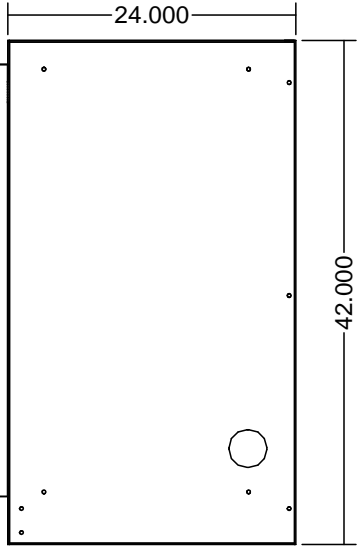
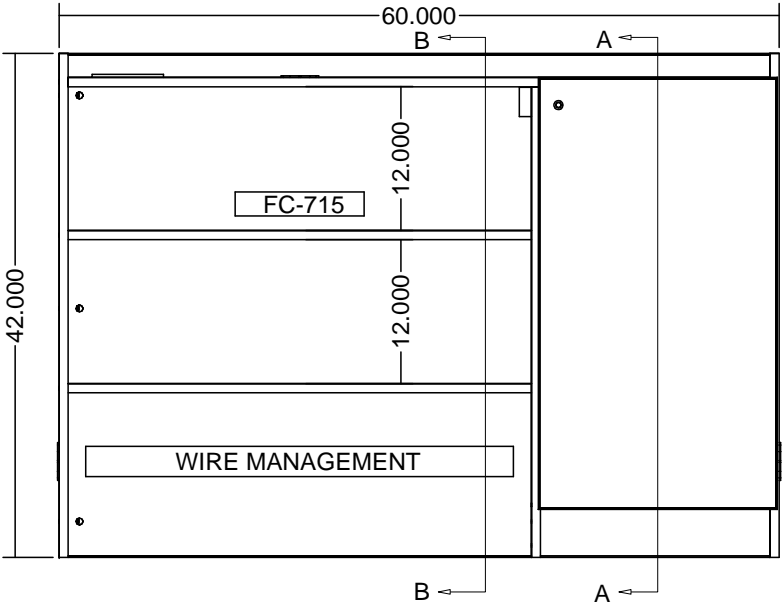
REVISIONS				TOLERANCES	PART NAME	
SYM	DATE	BY	DESCRIPTION	UNLESS SPECIFIED OTHERWISE	MLT-542442-xxL/R	
				DECIMALS	DATE:	DRWN BY:
				.X : ___	SCALE:	CAD NO.:
				.XX : ___	CHK'D BY:	CNC NO.:
				.XXX : ___	NOTICE: This drawing is the property of CRT Supply, Inc. dba SMARTdesks and contains proprietary information that is not to be used except in the consideration of bids or proposals tendered herewith. Reproductions or copying of the drawing, in whole or in part, is prohibited.	
				ANGLE : ___	PRODUCT GROUP	
					DRAWING NO. PO# 8217	
					REV.	



where design meets technology™
 800.770.7042
 www.Smartdesks.com

DRAWING NO. PO# 8217
 REV.

MATERIAL:
FINISH:
EDGE:



REVISIONS			
SYM	DATE	BY	DESCRIPTION

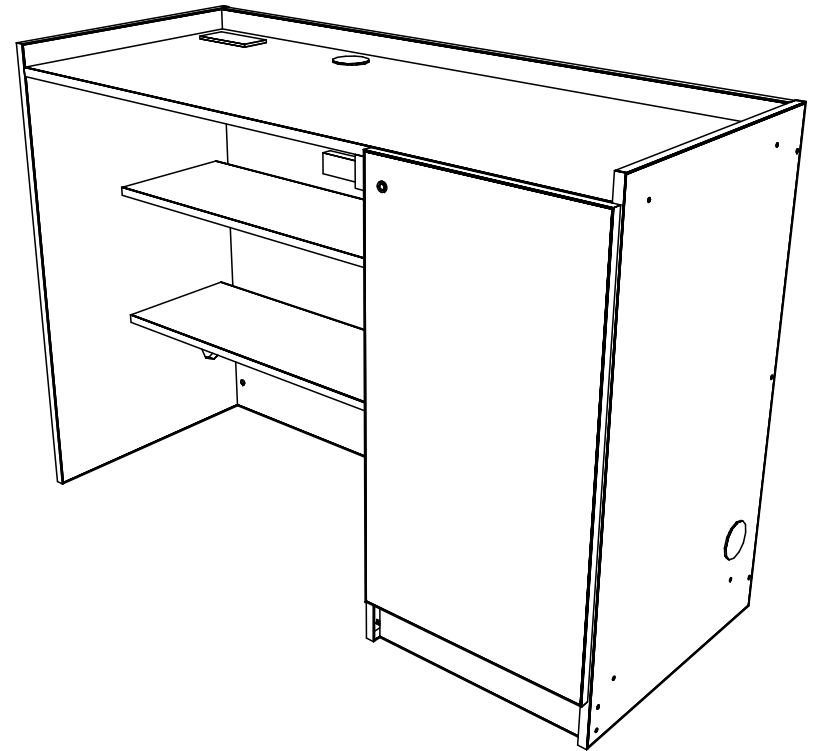
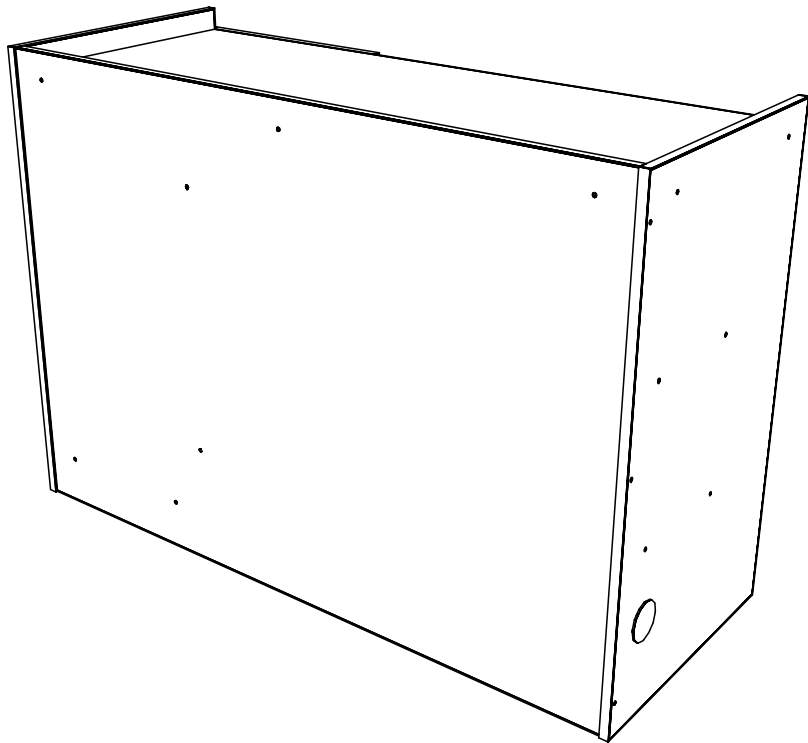
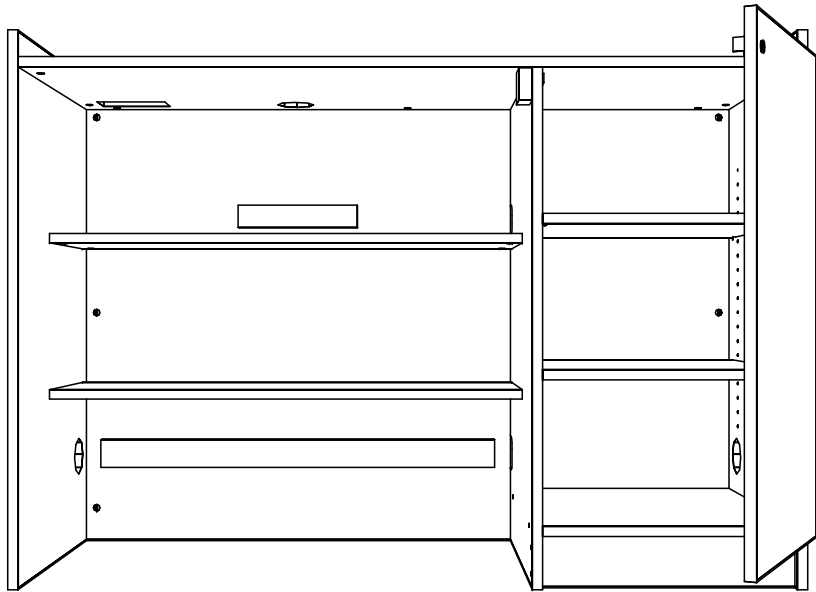
TOLERANCES UNLESS SPECIFIED OTHERWISE	
DECIMALS	
.X	: —
.XX	: —
.XXX	: —
ANGLE	: —

PART NAME MLT-602442-xxL	
DATE:	DRWN BY:
SCALE:	CAD NO.:
CHK'D BY:	CNC NO.:
<small>NOTICE: This drawing is the property of CBT Supply, Inc. dba SMARTdesks and contains proprietary information that is not to be used except in the consideration of bids or proposals tendered herewith. Reproductions or copying of the drawing, in whole or in part, is prohibited.</small>	


where design meets technology™
800.770.7042
www.Smartdesks.com

DRAWING NO.	REV.
PO# 7535	

MATERIAL:
 FINISH:
 EDGE:



REVISIONS				TOLERANCES	PART NAME MLT-602442-xxL	
SYM	DATE	BY	DESCRIPTION	UNLESS SPECIFIED OTHERWISE	DATE:	DRWN BY:
				DECIMALS	SCALE:	CAD NO.
				.X : _____	CHK'D BY:	CNC NO.
				.XX : _____	<small>NOTICE: This drawing is the property of GSI Supply, Inc. dba SMARTdesks and contains proprietary information that is not to be used except in the consideration of bids or proposals tendered herewith. Reproductions or copying of the drawing, in whole or in part, is prohibited.</small>	
				.XXX : _____	<small>PRODUCT GROUP</small>	
				ANGLE : _____	<small>DRAWING NO.</small>	
					<small>REV.</small>	



DRAWING NO. PO# 7535