

KONCEPT

# mosso pro



2013 Best of NeoCon GOLD  
2014 Next Generation Luminaires "Best in Class"

*Designers*  
Peter Ng, Kenneth Ng & Edmund Ng

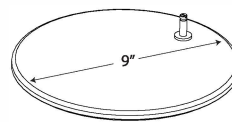
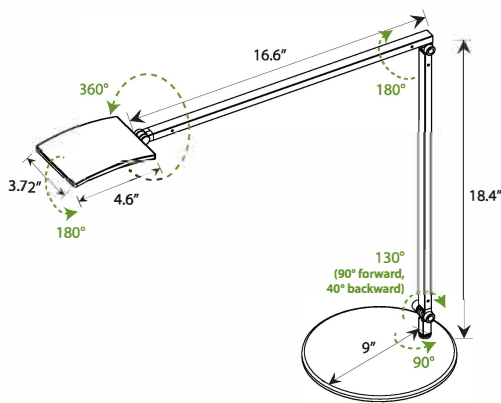
Delivering a phenomenal 99 lumens per watt efficiency, Mosso Pro changes light colors from warm to cool and anything in between. An intuitive built-in touchstrip allows for effortless continuous dimming. A built-in occupancy sensor ensures no energy is wasted lighting up a vacant desk. Mosso Pro comes standard with a USB charging port. A wireless charging base is also available for recharging Qi-compatible mobile devices. With Mosso Pro, anything is possible.

Lumens: 540  
 Energy Consumption: 5.5 watts  
 Number of LEDs: 48 LEDs  
 LED Rated Lifespan: 50,000 hours  
 Color Temperature: Variable from 2,700K to 5,000 K  
 Color Rendering Index (CRI): 90  
 Dimmer: Built-in touchstrip  
 Brightness Adjustability: Continuous  
 Occupancy Sensor: Built-in  
 Standard Color Finish\*: Metallic Black, Silver, White  
 Material: Aluminum/Plastic  
 Cord Color: Black  
 Cord Length: 10'  
 Transformer (100–240 V; 50/60 Hz): Included – C-UL-US Certified  
 Maximum Brightness (15" above desk): 103 fc

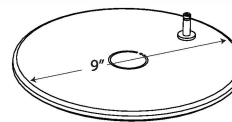
AR2001-

- MBK = Metallic Black
- SIL = Silver
- WHT = White
- USB = USB Desk Base
- CLP = Clamp (One-Piece)
- 2CL = Two-Piece Clamp
- SLT = Slatwall Mount
- WAL = Wall Mount
- GRM = Grommet Mount
- THR = Through-table Mount
- QCB = Wireless Charging Base
- HWS = Hardwire Wall Mount
- PWD = Power Base

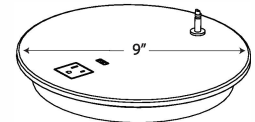
Built-in USB port (on USB base)



Desk base  
(MT-02-D001)



Wireless Charging Base  
(MT-02-D003)



Power Base with AC outlet & USB port  
(MT-02-D007)



Two-piece clamp  
(MT-01-C004)



Clamp (one-piece)  
(MT01C3)



Through-table mount  
(MT01T1)



Hardwired Wall Mount  
(MT-01-W002)



Slatwall mount  
(MT-01-S004)



Wall mount  
(MT01W1)



Grommet mount  
(MT-01-G001)



Occupancy sensor\*  
(P7-01-OCC01A)

Potential LEED Points:

Energy & Atmosphere (EA)

*Credit 1.1: Optimize Energy Performance*  
LED lighting to reduce energy consumption.  
(Potential points: 3)

Innovation In Design (ID)

*Credit 1.1- 1.4: Innovation in Design*  
Mosso Pro features an LED head that swivels up and down and twirls a full 360 degrees. The lamp also features a built-in touchstrip for touch sensitive dimming.  
(Potential points: 4)

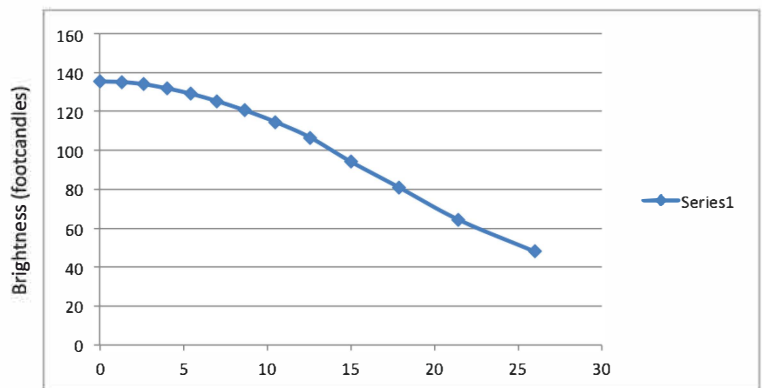
Materials & Resources (MR)

*Credit 4.1: Recycled Content - 10%*  
Lamps contain parts made out of 10% pre-consumer recycled content.  
(Potential points: 1)  
*Credit 4.2: Recycled Content - 20%*  
Lamps contain parts made out of 20% pre-consumer recycled content.  
(Potential points: 2)

Lamp contains 31% preconsumer recycled material by weight\*  
Aluminum housing is fully recyclable  
All color finishes use water-based paint  
LEDs do not contain mercury

\*in standard configuration (includes transformer and weighted base)

Light source placed 15" away from surface



Distance from center (inches)