

MS-FPA

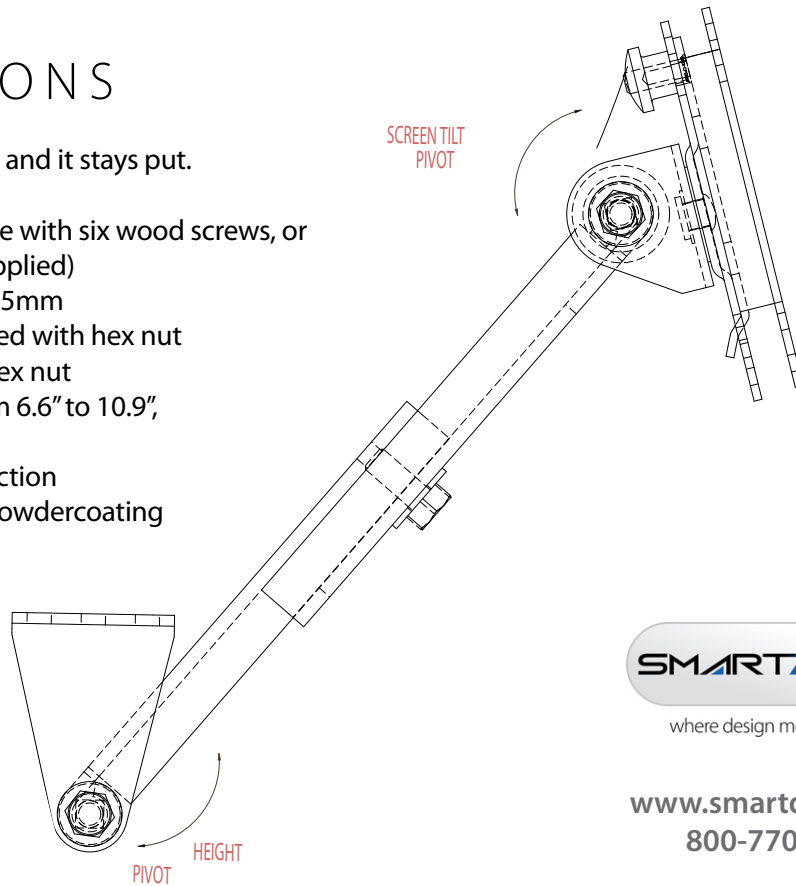
Robust LCD Arm

For use with sub-surface mounted flat panel displays

SPECIFICATIONS

Set this arm where you want it, and it stays put.

- Surface mounts to structure with six wood screws, or alternate fasteners (not supplied)
- VESA Mount 100mm and 75mm
- Screen angle tilt pivot locked with hex nut
- Height pivot locked with hex nut
- Arm length adjustable from 6.6" to 10.9", locked with hex nut
- Heavy gauge steel construction
- Finished in wrinkle finish powdercoating



SMARTDESKS[®]

where design meets technologysm

www.smartdesks.com

800-770-7042