

MSS Series Podium S P E C I F I C A T I O N S

SKU: PL-MSS

Stand-up computer podiums integrate an LCD monitor below a tinted and tempered monitor window in the work surface to eliminate any obstruction of the line-of-sight between instructor and student. The work surface area is always totally clear to accommodate printed teaching materials and notes.

Configured with locking single and double equipment and storage bays. Podiums are 30 inches deep, 42 inches high and are sized in 4 widths: 30, 36, 54 and 60 inches. Doors are on 270° hinges to enable them to fold flat against the sides when the lectern is in use.

• SPECIFICATIONS

- One tempered, clear glass subsurface monitor window
- Robust flat panel monitor arm support for
- VESA compliant LCD monitor (accommodates monitors up to 20" diagonal, viewport is 19" wide)
- 26" x 8" keyboard/mouse tray
- Equipment bay with locking doors
- Remote-switched, surge-protected 6-outlet power strip mounted in bay
- Integrated horizontal wire management (80mm wire access grommets)
- Top & Base surfaces finished with high-pressure laminate
- 3mm PVC edge trim (includes bottom edge)
- Options: ventilation fan and heavy duty, locking casters
- Ships assembled

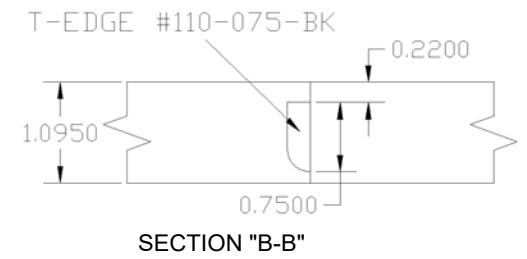
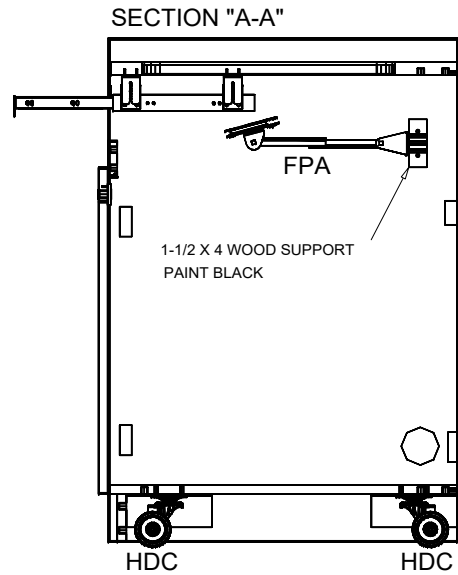
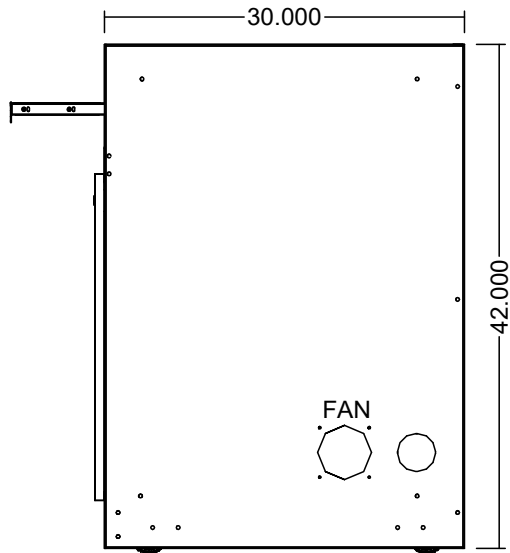
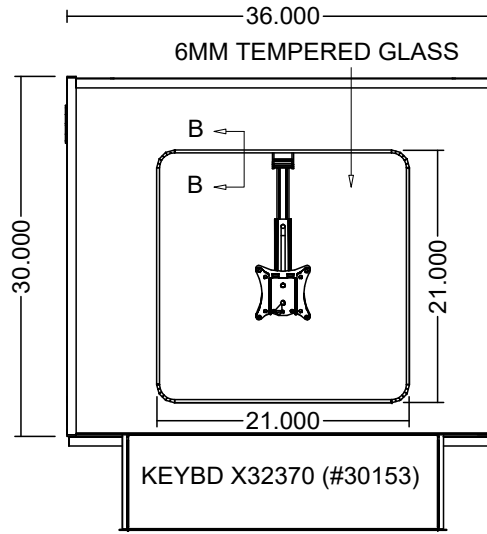
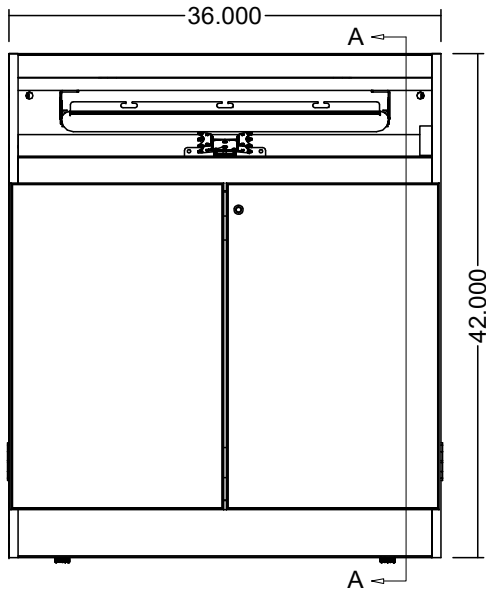


800 770 7042 | www.smartdesks.com

SMARTDESKS[®]

where design meets technologysm

MATERIAL:
 FINISH:
 EDGE:



REVISIONS			
SYM	DATE	BY	DESCRIPTION

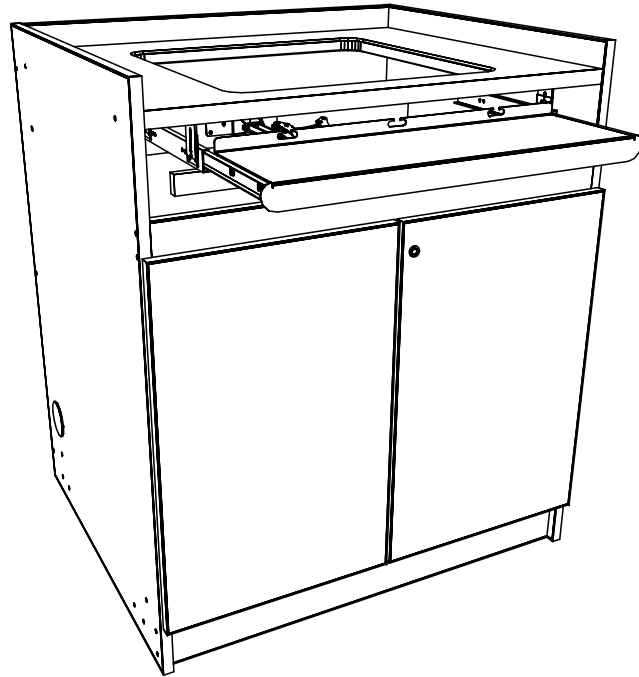
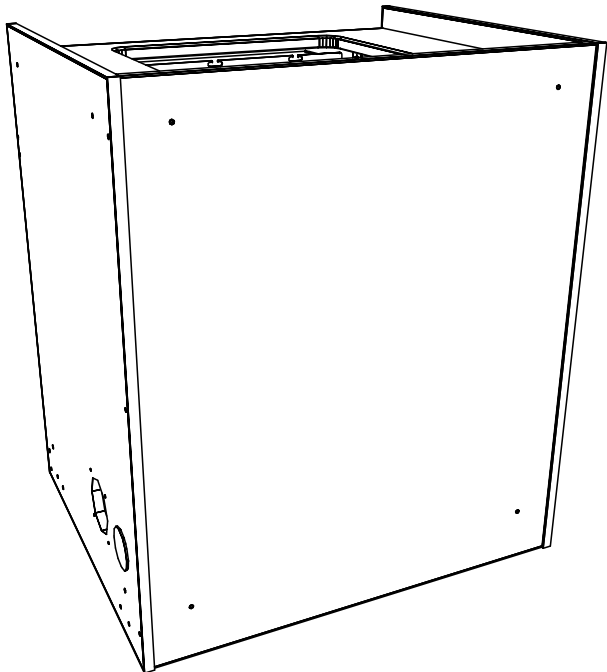
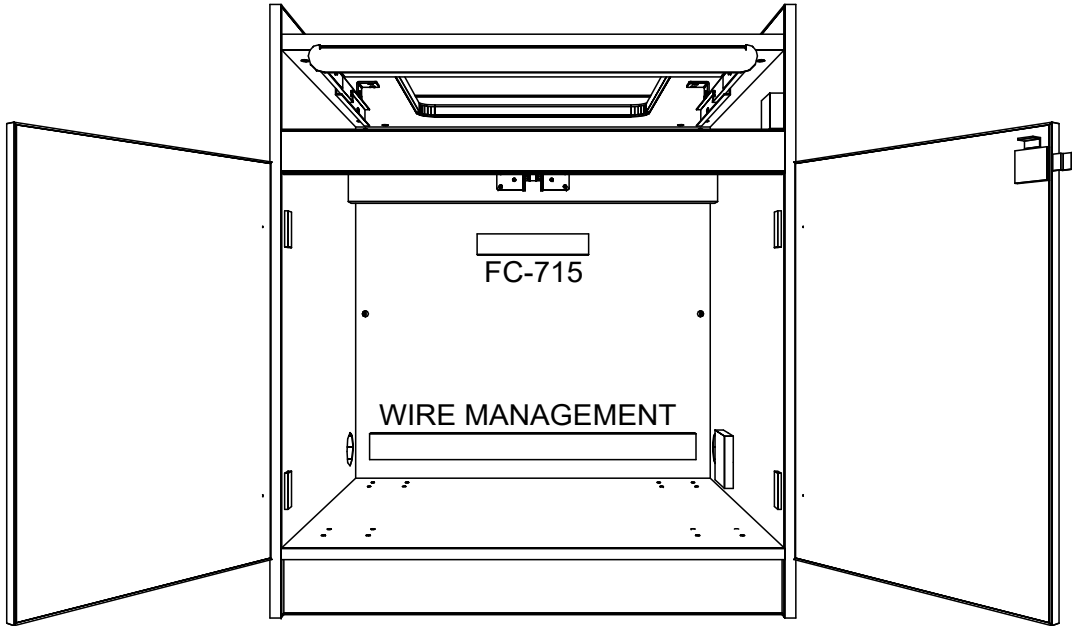
TOLERANCES	
UNLESS SPECIFIED OTHERWISE	
DECIMALS	
.X	
.XX	
.XXX	
ANGLE	

PART NAME	
MSS-363042-TK21	
DATE:	DRWN BY:
SCALE:	CAD NO.:
CHK'D BY:	CNC NO.:
<small>NOTICE: This drawing is the property of CBT Supply, Inc. dba SMARTdesks and contains proprietary information that is not to be used except in the consideration of bids or proposals tendered herewith. Reproductions or copying of the drawing, in whole or in part, is prohibited.</small>	

SMARTDESKS
 where design meets technology™
 800.770.7042
 www.Smartdesks.com

PRODUCT GROUP
 DRAWING NO. **PO#10685** REV.

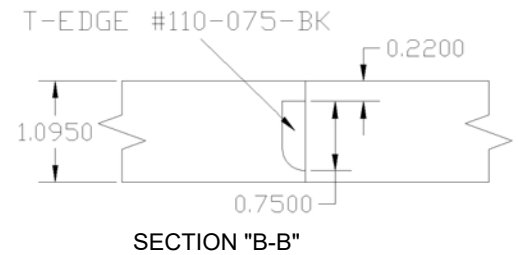
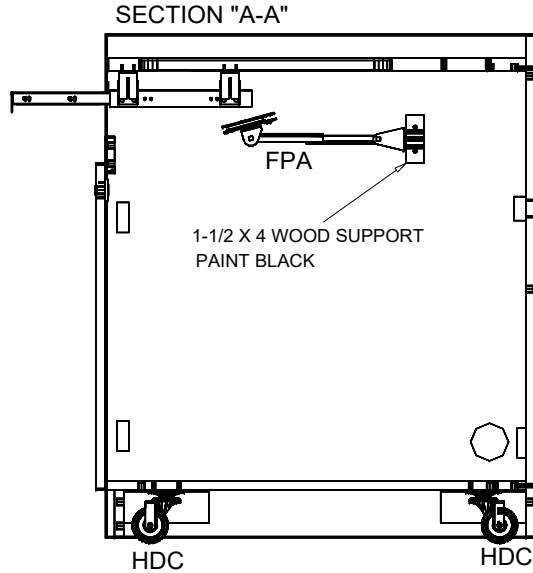
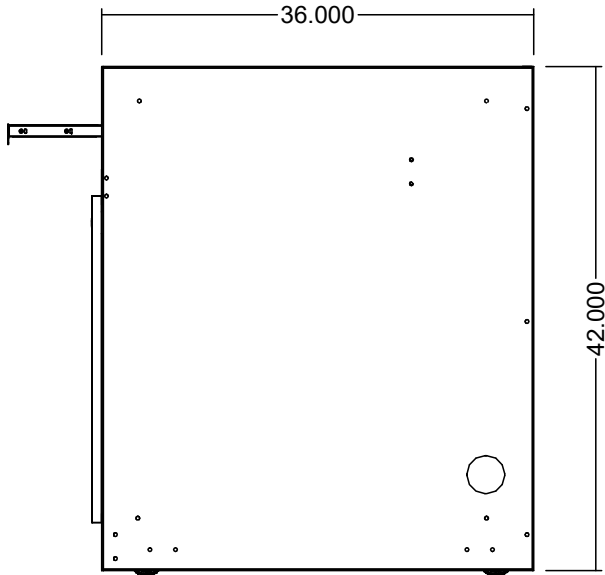
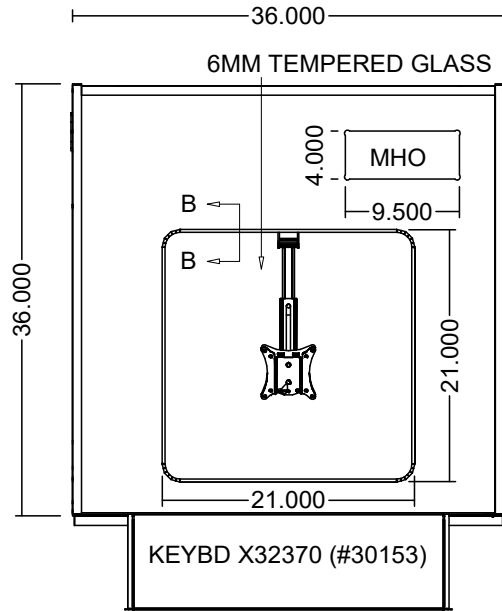
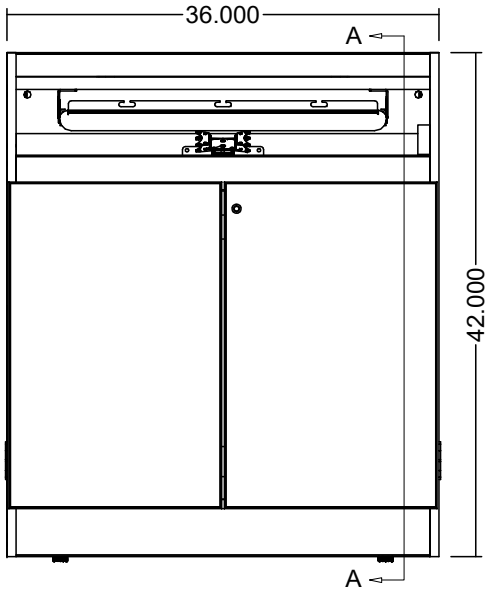
MATERIAL:
 FINISH:
 EDGE:



REVISIONS				TOLERANCES UNLESS SPECIFIED OTHERWISE	PART NAME MSS-363042-TK21	
SYM	DATE	BY	DESCRIPTION		DATE:	DRWN BY:
				DECIMALS	SCALE:	CAD NO.
				.X : _____	CHK'D BY:	CNC NO.
				.XX : _____	NOTICE: This drawing is the property of CBT Supply, Inc. dba SMARTdesks and contains proprietary information that is not to be used except in the consideration of bids or proposals tendered herewith. Reproductions or copying of the drawing, in whole or in part, is prohibited.	
				.XXX : _____	PRODUCT GROUP	
				ANGLE : _____	DRAWING NO. PO#10685	
					REV.	



MATERIAL:
FINISH:
EDGE:



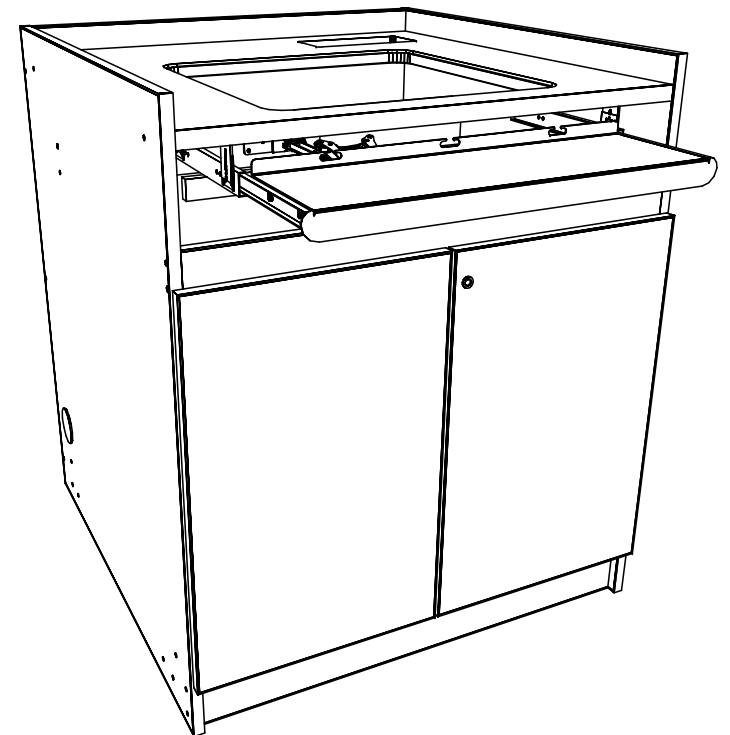
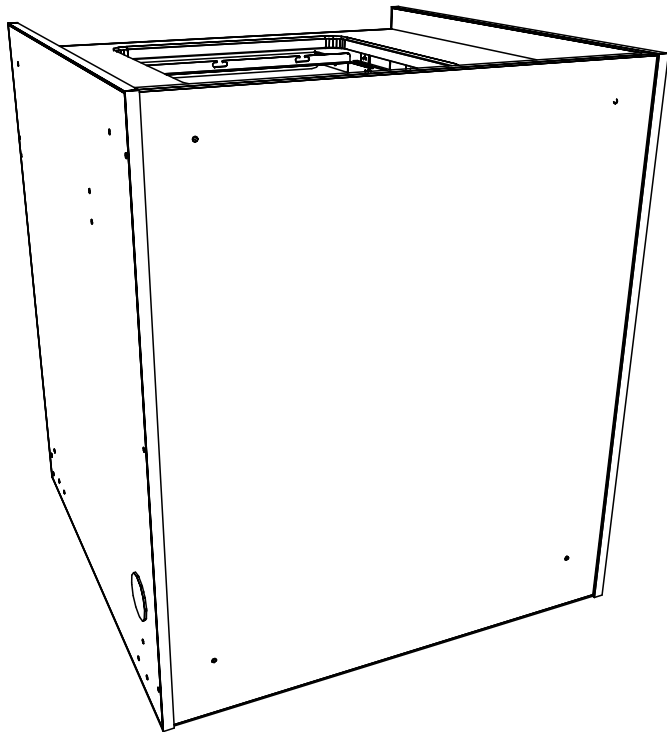
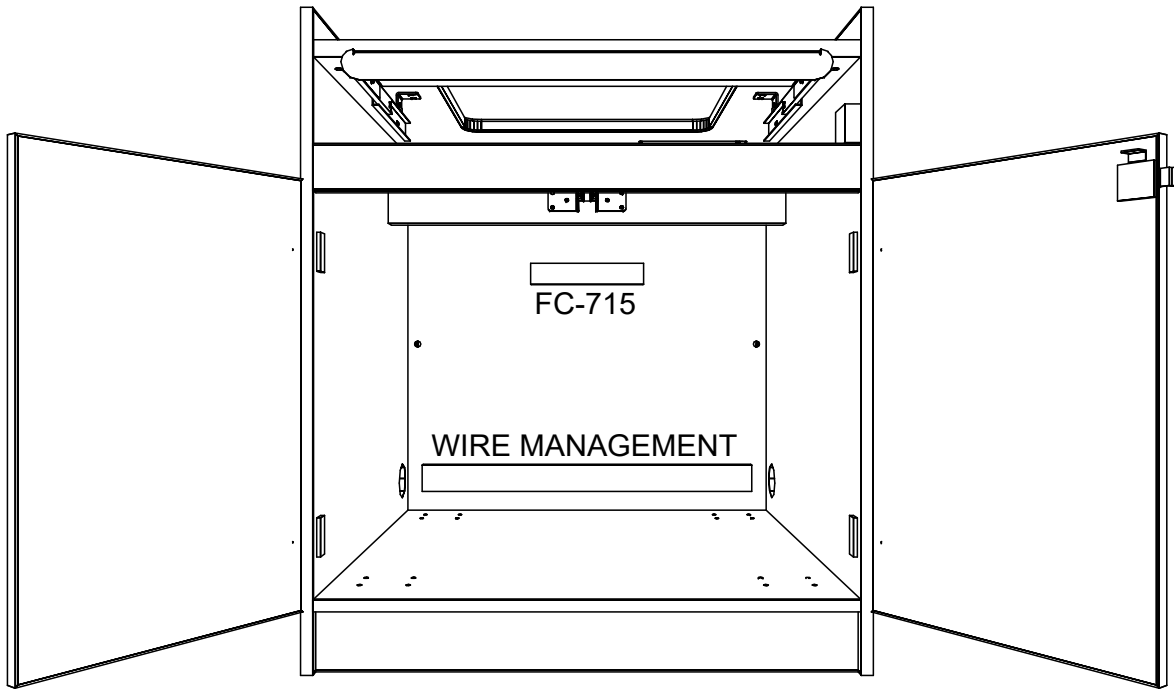
REVISIONS			
SYM	DATE	BY	DESCRIPTION

TOLERANCES UNLESS SPECIFIED OTHERWISE		PART NAME	
DECIMALS		MSS-363642-TK21	
.X		DATE	DRWN BY:
.XX		SCALE:	CAD NO.
.XXX		CHK'D BY:	CNC NO.
ANGLE		NOTICE: This drawing is the property of CBT Supply, Inc. dba SMARTdesks and contains proprietary information that is not to be used except in the consideration of bids or proposals tendered herewith. Reproductions or copying of the drawing, in whole or in part, is prohibited.	

SMARTDESKS
 where design meets technology™
 800.770.7042
 www.Smartdesks.com

PRODUCT GROUP
 DRAWING NO. **PO#10765** REV.

MATERIAL:
 FINISH:
 EDGE:



REVISIONS				TOLERANCES	PART NAME
SYM	DATE	BY	DESCRIPTION	UNLESS SPECIFIED OTHERWISE	MSS-363642-TK21
				DECIMALS	DATE:
				.X : _____	DRWN BY:
				.XX : _____	SCALE:
				.XXX : _____	CAD NO.:
				ANGLE : _____	CHK'D BY:
					CNC NO.:
					NOTICE: This drawing is the property of CBT Supply, Inc. dba SMARTdesks and contains proprietary information that is not to be used except in the consideration of bids or proposals tendered herewith. Reproductions or copying of the drawing, in whole or in part, is prohibited.
					PRODUCT GROUP
					800.770.7042
					www.Smartdesks.com
					DRAWING NO.
					PO#10765
					REV.

