

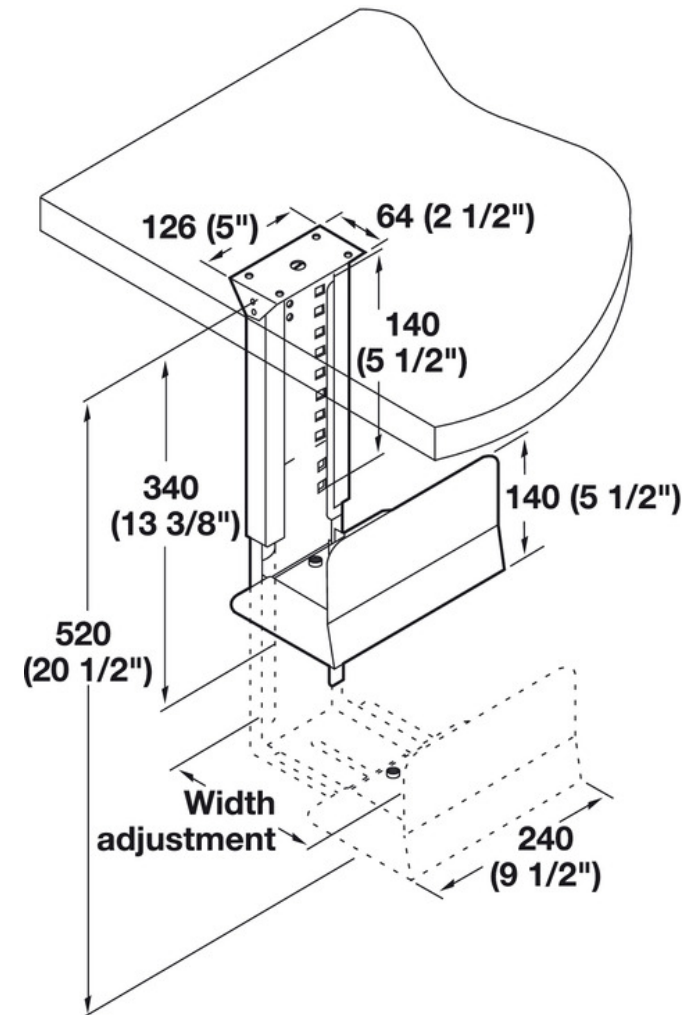
# CPU Holder Fixed Mount S P E C I F I C A T I O N S

SKU: PL-CPU-J-FIXMT

Mounts directly to the underside of the table top. Depth and width adjustments accommodate most CPU cases. Steel construction, black powder coat finish.

## Features:

- Holds CPU's up and away from shoes, dust, moisture, vacuum cleaners or mops
- Securely clamps and holds CPU
- Height adjustment (13 3/8 - 20 1/2") 340 - 521 mm
- Width Adjustment: (5 1/2 - 9 1/4") 140 - 235 mm
- Load bearing capacity: (55 lbs.) 25 kg
- Material: Steel
- Color: Black
- Finish: Epoxy-coated



800 770 7042 | [www.smartdesks.com](http://www.smartdesks.com)



where design meets technology<sup>sm</sup>