

iLid® MID Series DUO Flip Podium

S P E C I F I C A T I O N S

SKU: PL-MID

Features two monitors for a presenter to experience full data visualization and eye contact with everyone in the collaborative space. Our iLid design is as easy to open as a laptop, but features your two LCD monitors inside.

The CPU is housed in a locked bay. Shelves are standard for the two locked storage bays. Rack mount space may also be created as an option.

Wire management is conducted through the base with two 80mm pass-through grommets. A power strip provides 3 110VAC outlets and a separate switch for easy power-up.

Choose laminate top and base panels with PVC edge trim to complement any interior design.

Specifications:

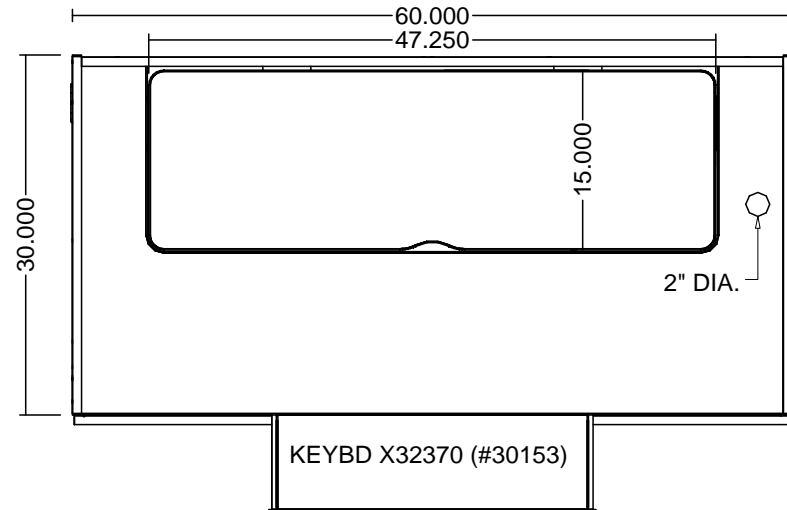
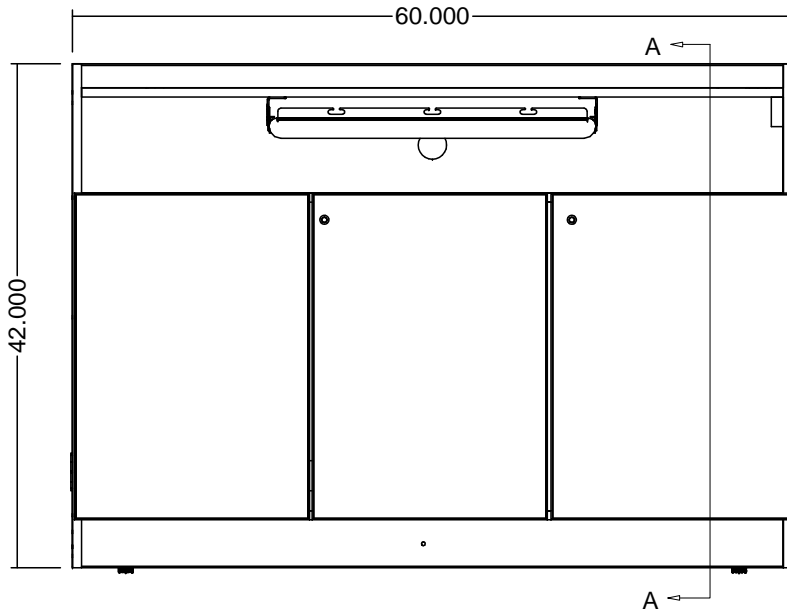
- iLid monitor mechanism for two monitors, iLid top matches top
- Friction hinge holds monitor at desired angle up to 120 degrees
- Supports maximum monitor size 23" w x 16" h each; 47" total width
- 26" x 8" keyboard/mouse tray
- Main bay has locking doors
- Auxiliary bay is 19.125" w with two adjustable shelves and locking door
- Concealed heavy-duty casters
- Remote-switched, surge-protected 6-outlet power strip mounted in bay
- Integrated horizontal wire management
- 80mm wire access grommets
- Top surface finished with high-pressure laminate
- Base finished in melamine
- 3mm PVC edge trim
- Overall dimensions: 60"W x 30"D x 42"H



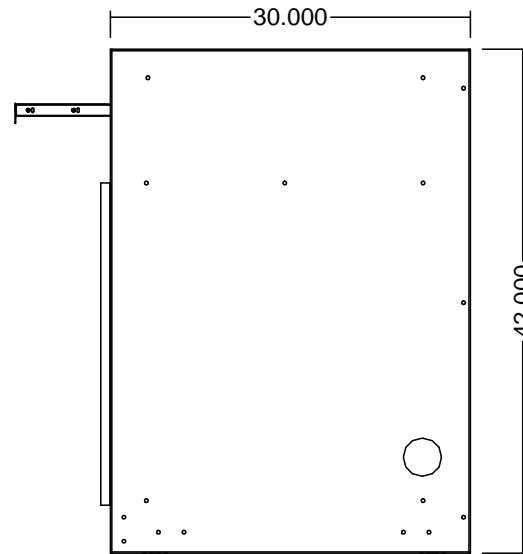
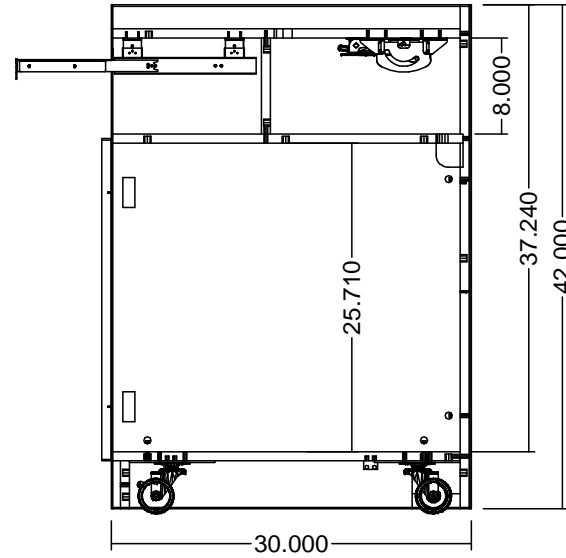
800 770 7042 | www.smartdesks.com



where design meets technologysm



SECTION "A-A"



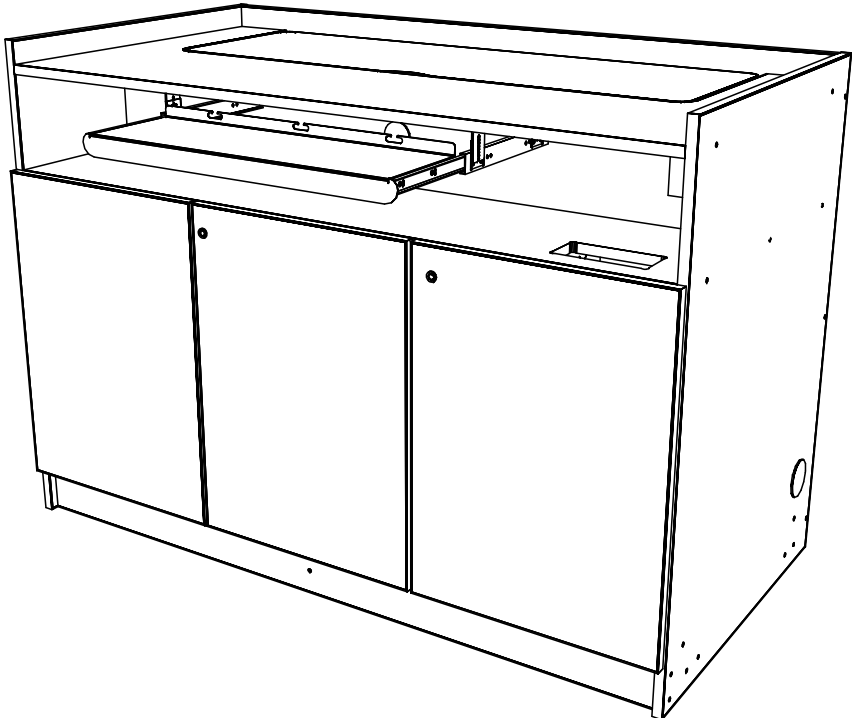
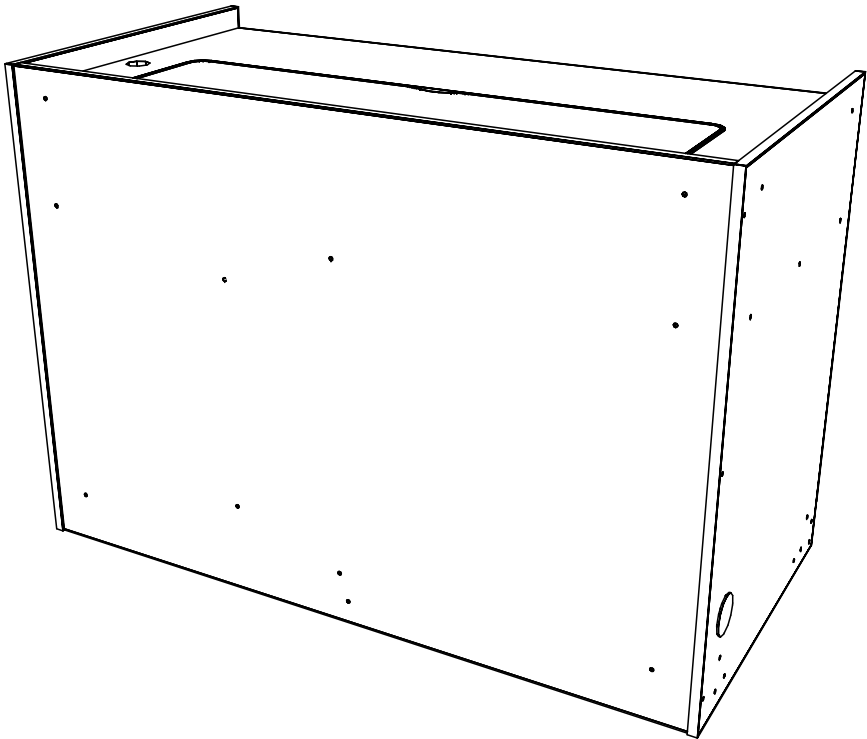
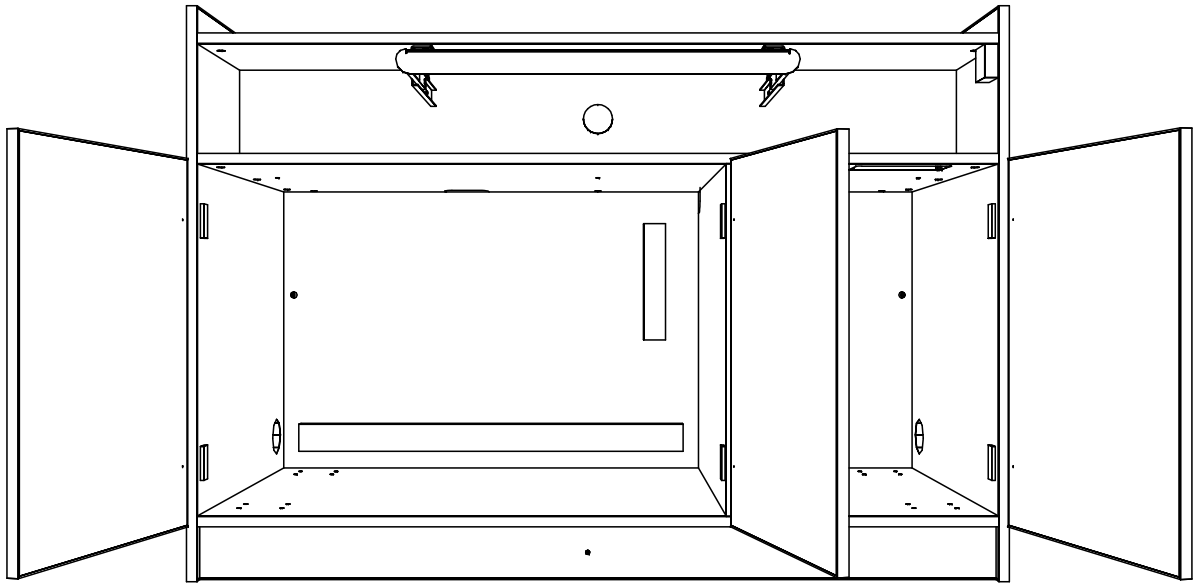
MATERIAL:
FINISH:
EDGE:

REVISIONS				TOLERANCES	PART NAME	
SYM	DATE	BY	DESCRIPTION	UNLESS SPECIFIED OTHERWISE	MID-603042-I23	
				DECIMALS	DATE:	DRWN BY:
				.X : ___	SCALE:	CAD NO.
				.XX : ___	CHK'D BY:	CNC NO.
				.XXX : ___	NOTICE: This drawing is the property of CRT Supply, Inc. dba SMARTdesks and contains proprietary information that is not to be used except in the consideration of bids or proposals tendered herewith. Reproductions or copying of the drawing, in whole or in part, is prohibited.	
				ANGLE : ___	PRODUCT GROUP	
					DRAWING NO. PO# 9916	
					REV.	



800.770.7042
www.Smartdesks.com

MATERIAL:
 FINISH:
 EDGE:



REVISIONS				TOLERANCES	PART NAME	MID-603042-I23	
SYM	DATE	BY	DESCRIPTION	UNLESS SPECIFIED OTHERWISE DECIMALS	DATE:	DRWN BY:	SCALE:
				.X : —			CAD NO.
				.XX : —			CNC NO.
				.XXX : —			
				ANGLE : —			

NOTICE: This drawing is the property of GBT Supply, Inc. dba SMARTdesks and contains proprietary information that is not to be used except in the consideration of bids or proposals tendered herewith. Reproductions or copying of the drawing, in whole or in part, is prohibited.		PRODUCT GROUP 800.770.7042 www.Smartdesks.com
DRAWING NO.	PO# 9916	REV.

