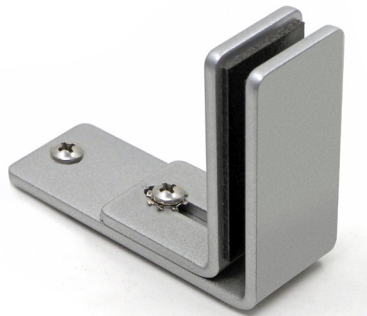


# QUIKCLAMP™

Versatile clamps that install FAST!



*Freestanding*



*Compact Top Mount*



*Knob | 360° Swivel*

**QuikClamp™ is a flexible privacy screen bracket solution.**

The QuikClamp™ panel bracket kit enables quick and easy setup of acrylic, plexiglass, polycarbonate, and fabric desk dividers. This freestanding desk mount supports panels on work surfaces at home and in the office. As a desk partition bracket, the QuikClamp™ Compact Top Support enables users to move panels and divide spaces with ease. As divider screens increase in popularity, a moveable top mount system offers more flexibility than a fixed edge clamp mount bracket.



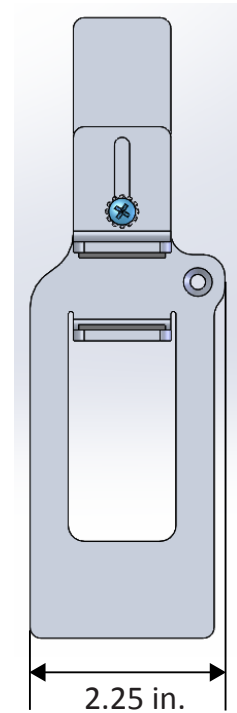
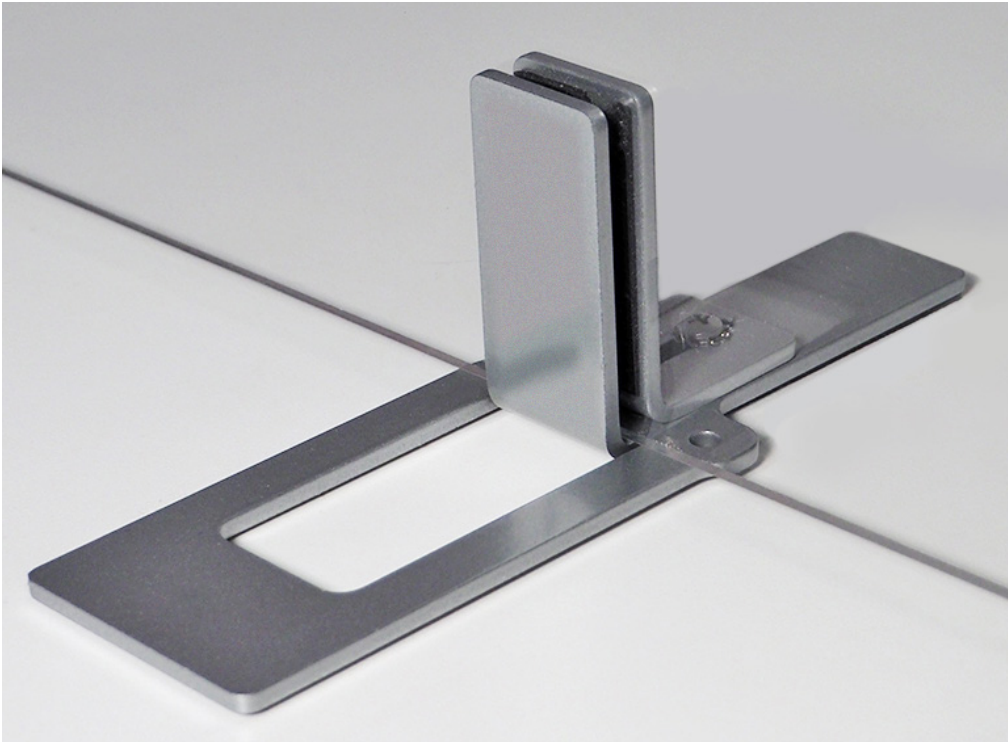
800 770 7042 | [www.smartdesks.com](http://www.smartdesks.com)

**SMARTDESKS®**

where design meets technology<sup>sm</sup>

# QUIKCLAMP™

## FREESTANDING BRACKET

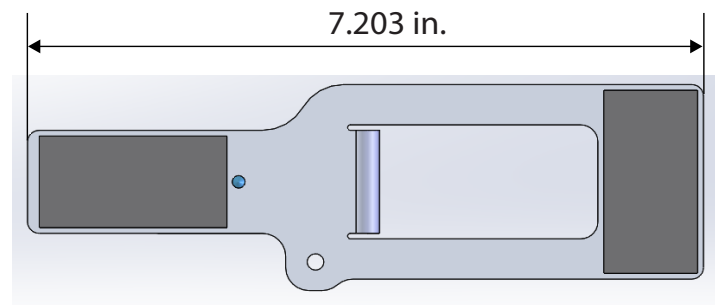
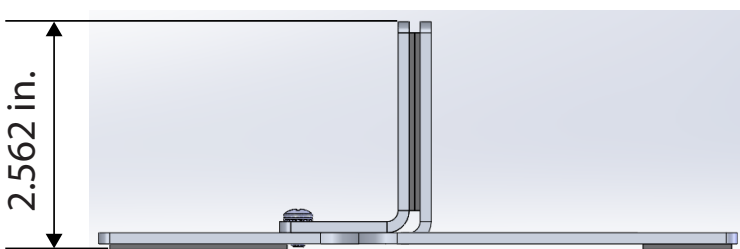


### *QuikClamp™ is an affordable privacy screen bracket solution.*

The QuikClamp™ panel bracket kit enables quick and easy setup of acrylic, plexiglass, polycarbonate, and fabric desk dividers. This freestanding desk mount supports panels on work surfaces at home and in the office. As a desk partition bracket, the Freestanding QuikClamp™ enables users to move panels and divide spaces with ease. As divider screens increase in popularity, a freestanding mount system offers more flexibility than an edge clamp mount bracket.

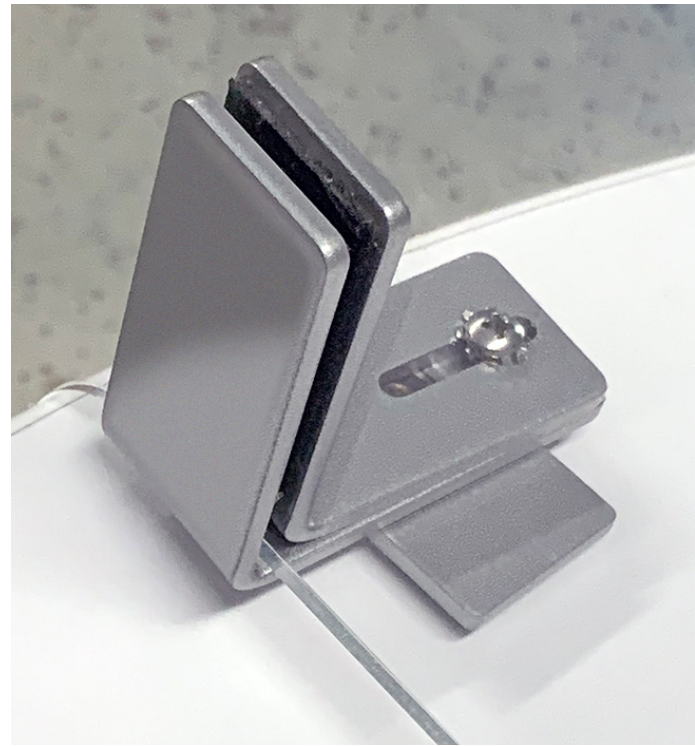
The freestanding QuikClamp™ functions as a desk divider clamp bracket. The base of the QuikClamp™ is covered with a non-skid material that offers stability and flexibility. Clamp on desk dividers can be moved around work surfaces with speed and stability. The freestanding QuikClamp™ can also be affixed more permanently to any work surface with an included screw. A simple Phillips head screwdriver adjusts the panel bracket around 1/8" to 3/4" inch thick panels made of any material.

- **No installation required**
- **Ships pre-assembled**
- Mounting bracket supports panels 1/8" to 3/4" inches thick, up to 30" high for social distancing or privacy purposes
- Desk clamp bracket is made from high quality powder-coated steel
- All contact points with work surface are made from non-marring, non-skid material
- Proudly made in the U.S.A.



# QUIKCLAMP™

## COMPACT MOUNTING BRACKET



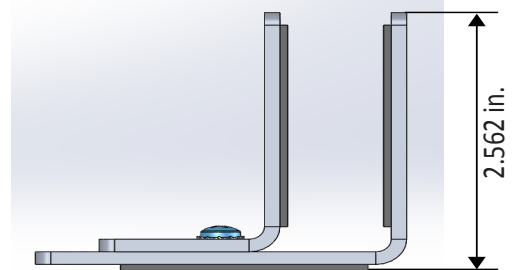
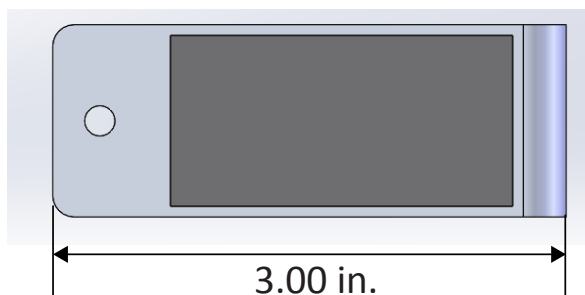
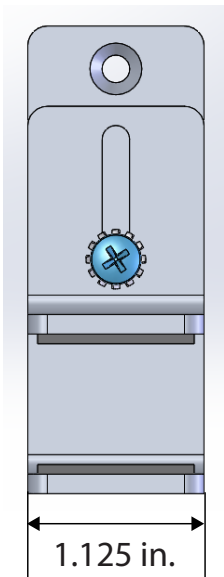
### **QuikClamp™ is a flexible privacy screen bracket solution.**

The QuikClamp™ Compact Top Support functions as a top mount desk divider clamp bracket. It serves as a freestanding desk divider bracket or can be more securely affixed to the work surface with an included screw. The base of the QuikClamp™ is covered with a non-skid material that offers stability and flexibility.

The Compact Top Support mounting system can be used in conjunction with both the QuikClamp™ Freestanding Mount and/or the Swivel Clamp, as additional support for wider dividers. SMARTdesks recommends using

a Compact Top Support to supplement desk edge brackets on dividers 60" and wider. A simple Phillips head screwdriver adjusts the panel bracket around 1/8" to 3/4" inch thick panels made of any material.

- **Easy installation**
- **Ships pre-assembled**
- Mounting bracket supports panels 1/8" to 3/4" inches thick, up to 30" high for social distancing or privacy purposes
- Compatible with dividers of any length, and may be used as an extra support foot to complement desk edge clamp mounts supporting dividers 60" or wider
- Desk clamp bracket is made from high quality powder-coated steel
- All contact points with work surface are made from non-marring, non-skid material
- Proudly made in the U.S.A.





# QUIKCLAMP™

## SWIVEL CLAMP (KNOB)

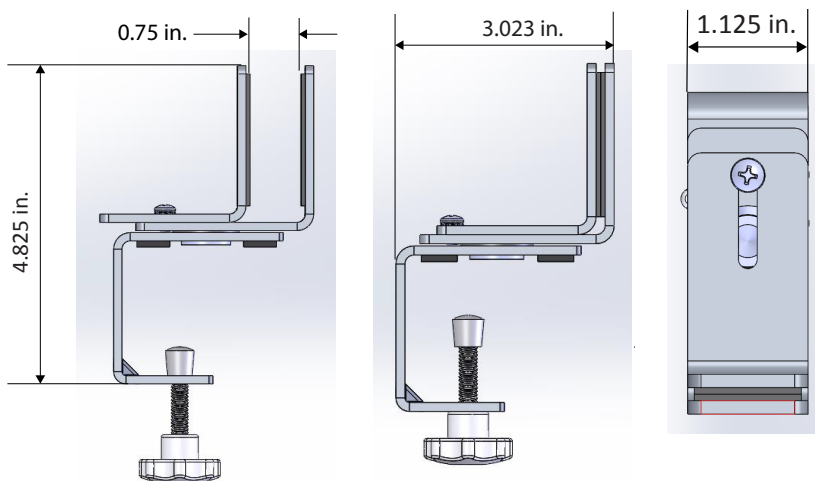


*QuikClamp™ is an affordable privacy screen bracket solution.*

The QuikClamp™ panel bracket kit enables quick and easy setup of acrylic, plexiglass, polycarbonate, and fabric desk dividers. This well-designed desk edge clamp mount affixes panels to work surfaces at home and in the office. With the resurgence of portable partitions in office spaces, the QuikClamp™ Swivel Clamp (Knob) is an ideal desk partition bracket. Anywhere separation is needed, the QuikClamp™ enables users to retrofit their work areas into easily divided spaces.

The QuikClamp™ Swivel Clamp (Knob) functions as a desk divider clamp bracket and edge clamp mount bracket system. The knob mounting system clamps on without screws or tools, ensuring damage-free installation to the work surface. As a desk edge bracket, QuikClamp instantly supports divider screens or office desk partitions in any office environment. A simple Phillips head screwdriver adjusts the panel bracket around 1/8" to 3/4" inch thick panels made of any material.

- **Easy installation, with no drilling required**
- **Ships pre-assembled**
- Mounting bracket supports panels 1/8" to 3/4" inches thick, up to 30" high for social distancing or privacy purposes
- 360-degree swivel action fixes clamps to curved or irregular desk edges
- Desk clamp bracket is made from high quality powder-coated steel
- All contact points with work surface are made from non-marring, non-skid material
- Proudly made in the U.S.A.



800 770 7042 | [www.smartdesks.com](http://www.smartdesks.com)

**SMARTDESKS®**

where design meets technology<sup>sm</sup>