



REVO

LIGHTING, EXACTLY AS YOU WANT IT

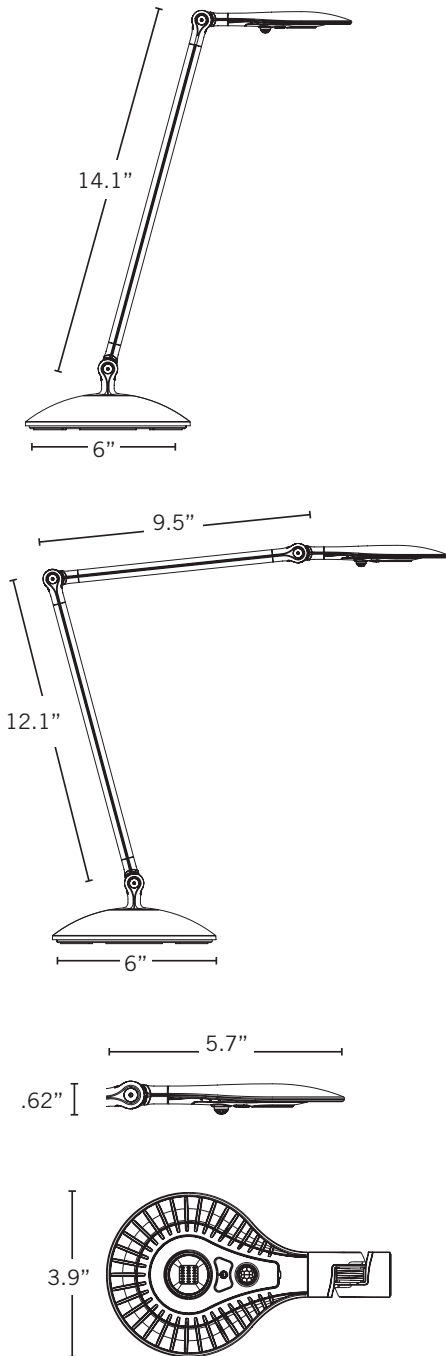
With a fully-articulating body, Revo seamlessly bends, tilts, twists, and turns—just how you want it. And it shines when you want it, automatically turning on when you're present and off when you're not. Or for more control, its highly-efficient, dimmable light adjusts with a single touch. An optional integrated USB port in the base allows for charging of mobile devices.

FEATURES AVAILABLE

- Single or double arm
- Dimming
- Automatic turn off
- Occupancy sensor
- USB charging
- Multiple mounting options
- Premium color options:



REVO



- Environmental considerations:**
- Made with fully-recyclable aluminum
 - Lower power consumption
 - Mercury-free LEDs
 - LEED credit eligibility

*A footcandle plot is available at www.lightcorp.com/products/desk/revo.

FEATURES

- A properly diffused light source under the round head provides a softly blended light pattern that reduces eye strain.
- Single-touch on/off and touch-and-hold continuous dimming pad with last state memory.
- The automatic turn off feature comes standard and will turn the fixture off after 10 hours of continuous use.
- The optional occupancy sensor will turn the fixture off after 30 minutes of inactivity and back on as the user re-enters the workspace. If occupant is present, the light will remain on.
- Six mounting options to suit a variety of work space configurations.

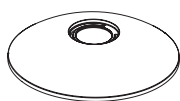
SPECIFICATIONS

Energy consumption:	7.5 system watts
Number of LEDs:	18 fractional LEDs
Light output:	337 lumens; 45 Lm/W
Peak footcandles:	114 @ 15" from work surface*
LED rated lifespan:	> 50,000 hours
Color temperature:	3500K
Color rendering index:	85
Brightness adjustability:	100%—15% continuous
Automatic turn off:	after 10 hours
Arm options:	single or double
Mounting options:	freestanding, freestanding with USB, surface, clamp, slat wall and panel mounts
Standard colors:	white, silver, black
Non-standard colors:	merlot, sky, ocean, kiwi, clementine, cranberry
Materials:	aluminum and plastic
Power supply:	18-watt wall transformer with 9' black cord
Cord:	3' silver cord with quick connector
USB dedicated charge port:	Type-A connector, 5V, 1.2A max.
Certifications:	ETL listed: compliant to UL 153/8750 & CSA C22.2 No. 250.4; FCC Part 15 Class B; TAA; BAA; CEC Title 20
Warranty:	10 years fixture; 5 years power supply

SPECIFYING NOTES

- The freestanding base weighs 5.5 lbs.
- Cord managers available.
- Fixture arm is attached to the base and ships assembled.

MOUNTING OPTIONS



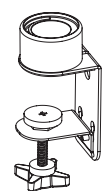
Freestanding Base



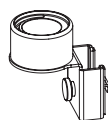
Freestanding Base with USB



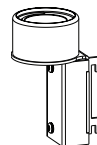
Surface Mount



Clamp Mount
0.9" to 1.875" thickness



Slat Wall Mount



Panel Mount

ORDERING INFORMATION

REVO

	DESCRIPTION	CODE
Step 1: Select arm	Single arm	REVO.S
	Double arm	REVO.D
Step 2: Select color	Black finish	+.BLACK
	Silver finish	+.SILVER
	White finish	+.WHITE
Step 3: Select mounting	Freestanding base	+.FS
	Freestanding base w/USB	+.FS.USB
	Panel mount*	+.PM
	Surface mount	+.SM
	Slat Wall mount**	+.SW
	Clamp mount	+.CM
Step 4: Add options	Integrated occupancy sensor	+.OSV
	Non-standard color:	
	Kiwi	+.305
	Clementine	+.306
	Cranberry	+.307
	Merlot	+.308
	Sky	+.309
	Ocean	+.310

NOTE:

*A system mounting code must be specified for panel mount. Please call customer service at 800.544.4899 for details.

**For slat wall mounting, please call customer service for system mounting availability.