

Dynamic. Sleek. Efficient. Flexible.

# splitty



#### *Designers*

Kenneth Ng & Edmund Ng

Red Dot Design Award 2018

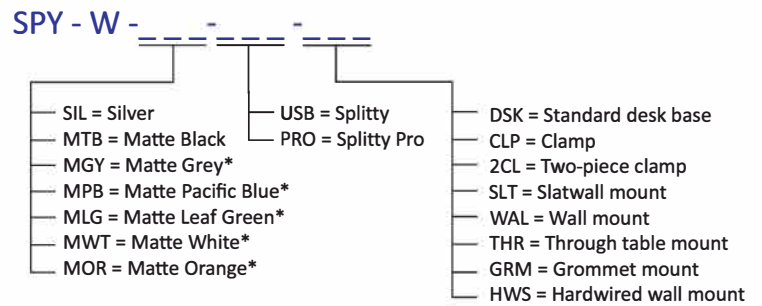
iF Design Award 2018

Best of NeoCon Gold 2017

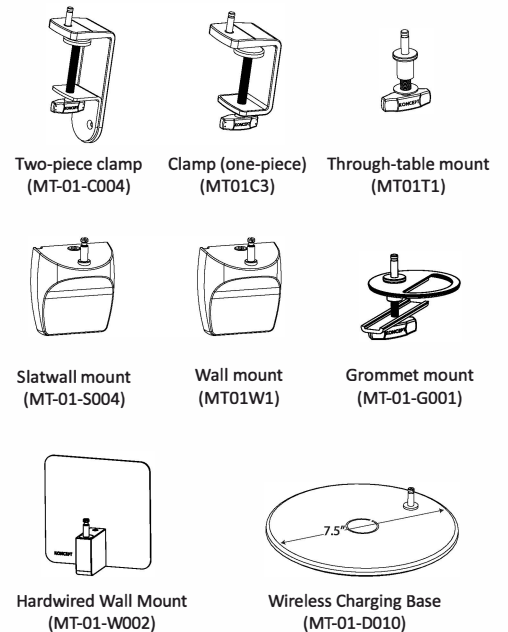
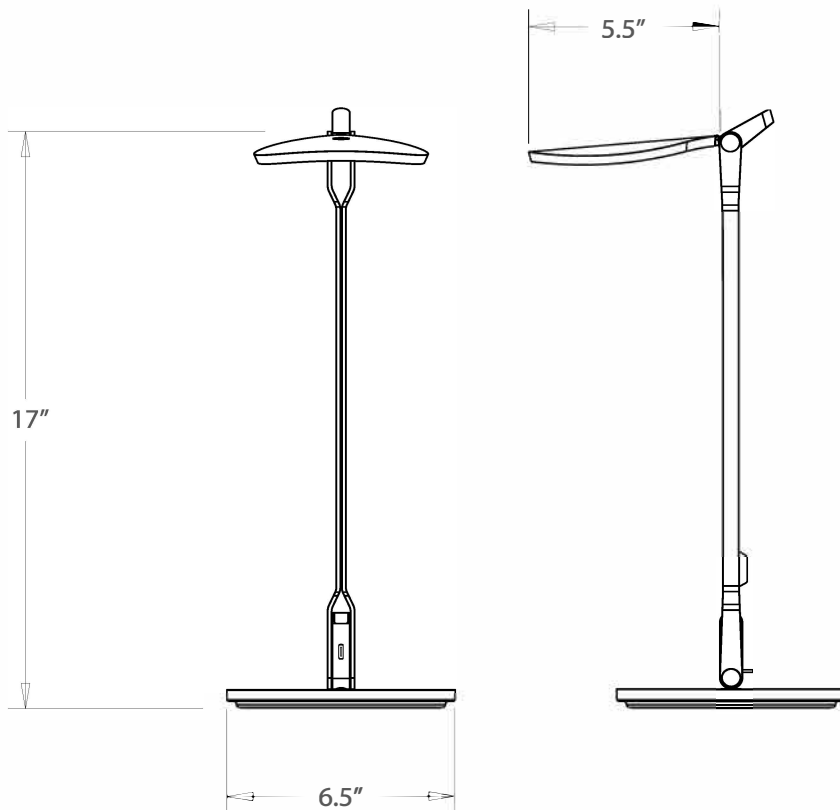
Interior Design Best of Year Honoree 2017

Splitty gets its name from its unique joint design and is one of the most flexible lights in the Koncept collection. Standing at 17" high, Splitty shines beautiful light onto any surface. When illuminated, the wide LED head casts an even glow thanks to the fully diffused light panel. Koncept designers made every effort to perfect the diffused light source with hidden LEDs so that the lamp performs as a radiant ambient light as well as a functional task light. Multiple mounting options can free up desk space and a discreet USB port allows users to charge most phones or tablets. Splitty Pro features a built-in occupancy sensor to maximize energy efficiency.

**Lumens:** 500  
**Energy Consumption:** 5.8 W  
**Rated Lifespan:** 50,000 hours  
**Color Temperature:** Warm (3,500 K)  
**CRI:** 85  
**Dimmer:** Built-in  
**Brightness Adjustability:** Continuous Dimming  
**Standard Finishes:** Silver, Matte Black, Matte Grey\*, Matte White\*,  
 Matte Pacific Blue\*, Matte Leaf Green\*,  
 Matte Orange\*  
**Material:** Aluminum, plastic  
**USB port:** Built-in; 1A (Splitty) / 2A (Splitty Pro)  
**Occupancy Sensor:** Built-in (Splitty Pro only)



\*Finish not available for Splitty Pro



**Potential LEED Points:**

**Energy & Atmosphere (EA)**

**Credit 1.1: Optimize Energy Performance**  
 LED lighting to reduce energy consumption.  
 (Potential points: 3)

**Innovation In Design (ID)**

**Credit 1.1- 1.4: Innovation in Design**  
 Splitty features a unique joint design for maximum reach and flexibility. The LED head and body can each rotate 360 and bend forward/back. A discrete power button also serves as the brightness adjuster. An occupancy sensor in Splitty Pro maximizes the already-high energy efficiency.  
 (Potential points: 4)

**Materials & Resources (MR)**

**Credit 4.1: Recycled Content - 10%**  
 Lamp contain parts made out of 10% pre-consumer recycled content.  
 (Potential points: 1)

**Credit 4.2: Recycled Content - 20%**  
 Lamp contain parts made out of 20% pre-consumer recycled content.  
 (Potential points: 2)

