

UDT2 & 3 SM Installation Sheet

Installation Instructions

1. Place UDT into position and secure with screws (not included) through mounting holes.
2. Connect power cord and data lines as needed.

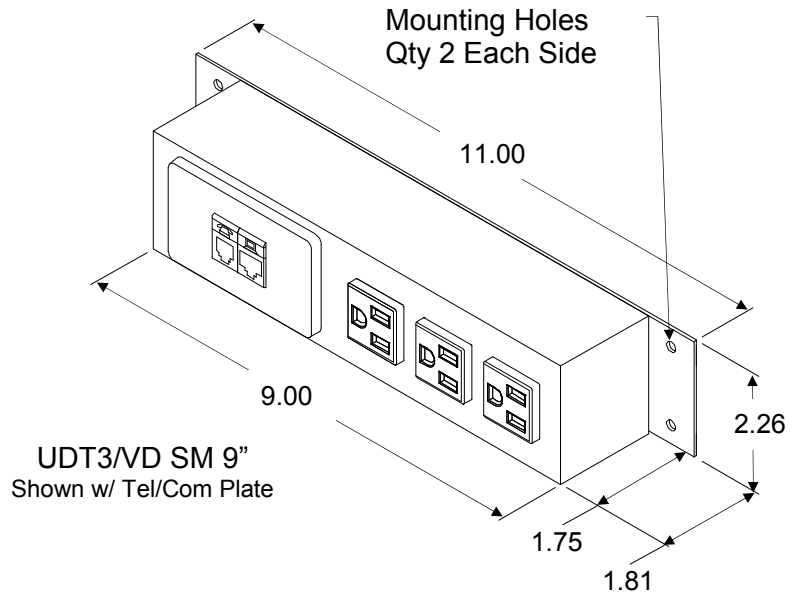
Unit Sizes

Size A – 9"
UDT3/VD SM 9"

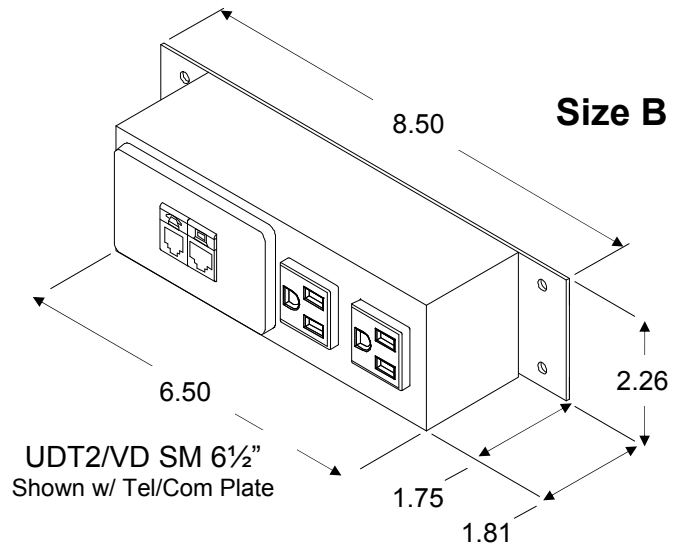
Size B – 6½"

UDT2 SM 6½"
UDT3 SM 6½"
UDT2/VD SM 6½"

Size A



Size B



Recycled Content Information

Post-Consumer Content	16.90%
Pre-Consumer Content	4.20%
Total % qualifying toward LEED®	19.00%

SMARTdesks®

www.smartdesks.com
800 770 7042