

LIGHTCORP

REACHING BEYOND BASIC LIGHTING

FEATURES AVAILABLE

- Single or double arm
- Dimming
- Automatic turn off
- Occupancy sensor
- USB charging
- Multiple mounting options
- Premium color options:



Voyage is your high performance, yet subtle workspace companion. Its linear arms and joints flow gently into a broadened head shade that shields bright LEDs from view. An optional integrated USB port in the base charges mobile devices. Voyage unites functional ergonomics with timeless aesthetics with its full articulation, extended reach, and dimmable touch technology.

VOYAGE



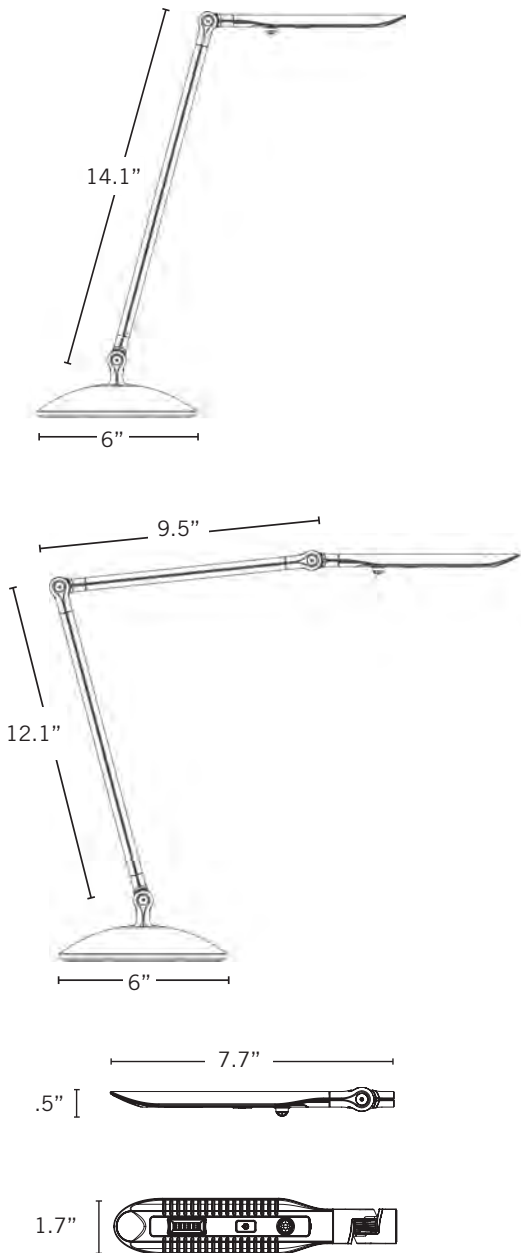
VOYAGE

FEATURES

- A properly diffused light source under the linear head provides a softly blended light pattern that reduces eye strain.
- Single-touch on/off and touch-and-hold continuous dimming pad with last state memory.
- The automatic turn off feature comes standard and will turn the fixture off after 10 hours of continuous use.
- The optional occupancy sensor will turn the fixture off after 30 minutes of inactivity and back on as the user re-enters the workspace. If occupant is present, the light will remain on.
- Six mounting options to suit a variety of work space configurations.

SPECIFICATIONS

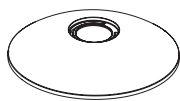
Energy consumption:	7 system watts
Number of LEDs:	18 fractional LEDs
Light output:	294 lumens; 41 Lm/W
Peak footcandles:	95 @ 15" from work surface*
LED rated lifespan:	> 50,000 hours
Color temperature:	3500K
Color rendering index:	85
Brightness adjustability:	100%—15% continuous
Automatic turn off:	after 10 hours
Arm options:	single or double
Mounting options:	freestanding, freestanding with USB, surface, clamp, slat wall and panel mounts
Standard colors:	white, silver, black
Non-standard colors:	merlot, sky, ocean, kiwi, clementine, cranberry
Materials:	aluminum and plastic
Power supply:	18-watt wall transformer with 9' black cord
Cord:	3' silver cord with quick connector
USB dedicated charge port:	Type-A connector, 5V, 1.2A max.
Certifications:	ETL listed: compliant to UL 153/8750 & CSA C22.2 No. 250.4; FCC Part 15 Class B; TAA; BAA; CEC Title 20
Warranty:	10 years fixture; 5 years power supply



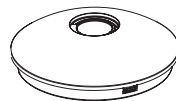
SPECIFYING NOTES

- The freestanding base weighs 5.5 lbs.
- Cord managers available.
- Fixture arm is attached to the base and ships assembled.

MOUNTING OPTIONS



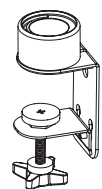
Freestanding Base



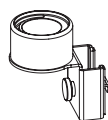
Freestanding Base with USB



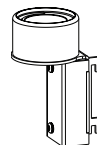
Surface Mount



Clamp Mount
0.9" to 1.875" thickness



Slat Wall Mount



Panel Mount



Environmental considerations:

- Made with fully-recyclable aluminum
- Lower power consumption
- Mercury-free LEDs
- LEED credit eligibility

	DESCRIPTION	CODE
Step 1: Select arm	Single arm	VLED.S
	Double arm	VLED.D
Step 2: Select color	Black finish	+.BLACK
	Silver finish	+.SILVER
	White finish	+.WHITE
Step 3: Select mounting	Freestanding base	+.FS
	Freestanding base w/USB	+.FS.USB
	Panel mount*	+.PM
	Surface mount	+.SM
	Slat Wall mount**	+.SW
	Clamp mount	+.CM
Step 4: Add options	Integrated occupancy sensor	+.OSV
	Non-standard color:	
	Kiwi	+.305
	Clementine	+.306
	Cranberry	+.307
	Merlot	+.308
	Sky	+.309
	Ocean	+.310