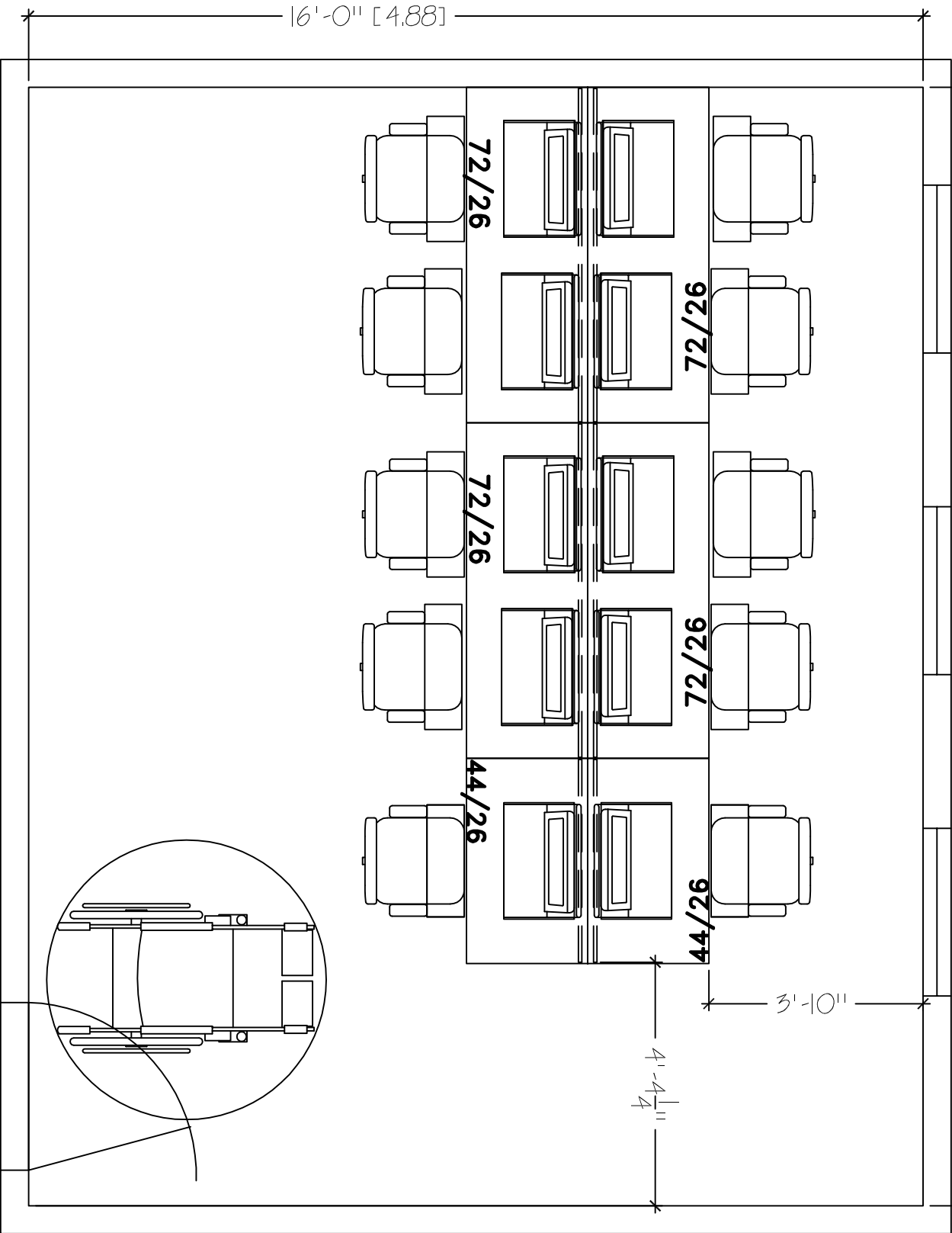


20'-0" [6.10]



16'-0" [4.88]

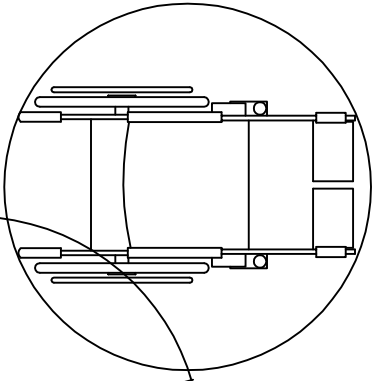
DESKS OR TABLES

16'X20'

SEAT COUNT: 10

SMARTdesks
 514F Progress Drive
 Linthicum, MD 21090
 800.770.7042
 www.smartdesks.com

Property of CRT Supply, Inc. Not to be duplicated.
 All ideas, plans or arrangements indicated in this drawing
 are copyrighted and owned by CRT Supply, Inc. and shall not
 be reproduced, used or disclosed to any person or firm or
 corporation without written permission of CRT Supply, Inc.



SMARTdesks

DESIGN CENTER